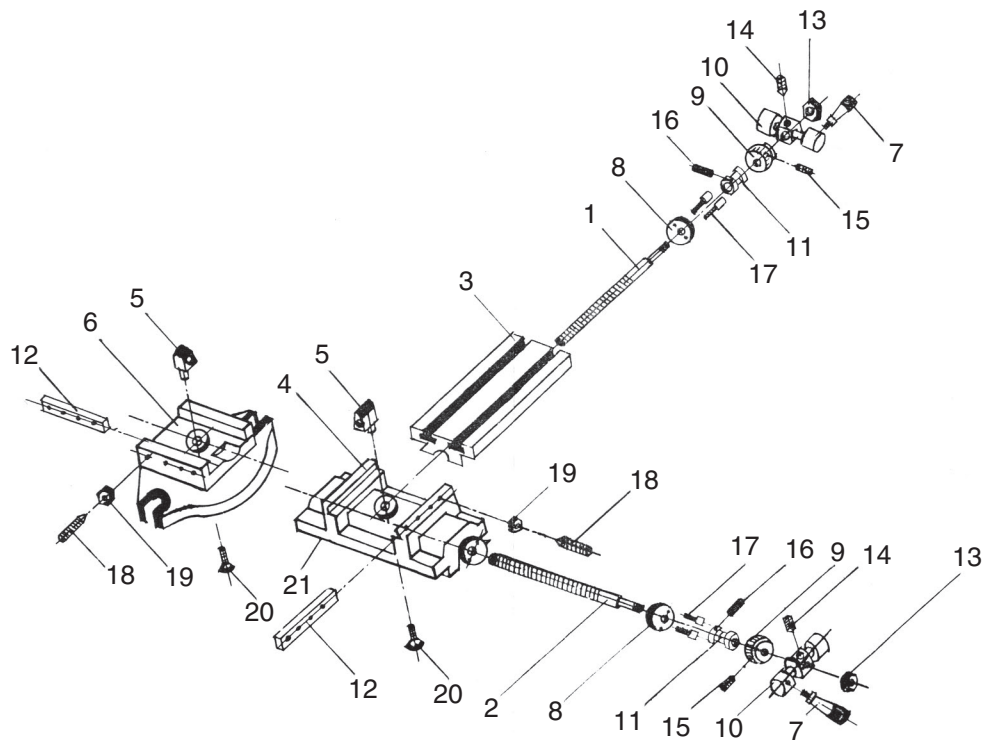


# H7979 Parts Breakdown and List



REF	PART #	DESCRIPTION
1	PH7979001	LONGITUDINAL GUIDE SCREW
2	PH7979002	CROSS FEED GUIDE SCREW
3	PH7979003	WORKING TABLE
4	PH7979004	SLIDE CARRIAGE
5	PH7979005	SCREW NUT
6	PH7979006	BASE
7	PH7979007	HANDLE
8	PH7979008	COUPLING FLANGE
9	PH7979009	VERNIER DIAL
10	PH7979010	ROCKER
11	PH7979011	BUSHING

REF	PART #	DESCRIPTION
12	PH7979012	GIB
13	PH7979013	MICRO COLLAR NUT
14	PH7979014	MICRO COLLAR SCREW
15	PH7979015	VERNIER SCREW
16	PH7979016	MICRO COLLAR SHAFT SCREW
17	PH7979017	COLLAR SCREW
18	PH7979018	GIB HOLDER SCREW
19	PH7979019	GIB HOLDER NUT
20	PH7979020	HALF NUT SCREW
21	PH7979021	CROSS FEED BASE