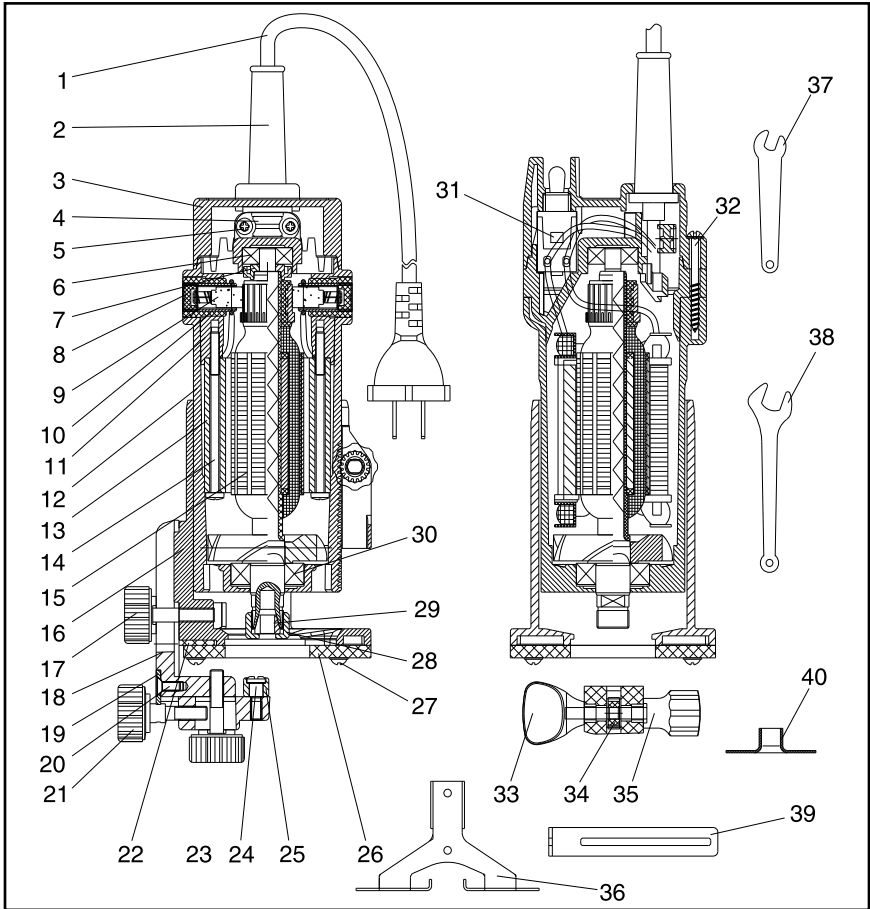


H7791 Parts



REF	PART #	DESCRIPTION
1	PH7791001	POWER CABLE
2	PH7791002	CABLE JACKET
3	PH7791003	BACK COVER
4	PH7791004	CABLE CLAMP
5	PS56M	PHLP HD SCR M4-.7 X 16
6	P627	BALL BEARING 627ZZ
7	PH7791007	BEARING GASKET
8	PH7791008	BRUSH TUBE
9	PH7791009	BRUSH COVER
10	PH7791010	CARBON BRUSH
11	PH7791011	MID COVER
12	PH7791012	SHELL
13	PH7791013	STATOR
14	PH7791014	PHLP HD SCR M4-.7 X 70
15	PH7791015	ROTOR
16	PH7791016	OUTSIDE COVER
17	PH7790017	LOCK KNOB M6-1 X 25
18	PH7790018	TRIM GUIDE BRACKET
19	PH7790019	KNOB RETAINER
20	PFH19M	FLAT HD SCR M4-.7 X 10

REF	PART #	DESCRIPTION
21	PH7790021	ADJUSTING KNOB M6-1 X 20
22	PH7790022	BLOCK
23	PH7790023	TRIM GUIDE PLATE
24	PH7790024	SHOULDER SCREW M5-.8 X 11
25	PH7790025	BUSHING
26	PH7790026	BASE PLATE
27	PHTEK15M	TAP SCREW M4 X 10
28	PH7790028	COLLET NUT
29	PH7790029	COLLET
30	P6200	BALL BEARING 6200ZZ
31	PH7791031	SWITCH
32	PS65M	PHLP HD SCR M4-.7 X 40
33	PH7790031	CLASPING KNOB
34	PH7791034	LIFT GEAR
35	PH7790032	GEAR GUIDING KNOB
36	PH7790033	STRAIGHT GUIDE
37	PH7790034	WRENCH 10MM
38	PH7790035	WRENCH 17MM
39	PH7790036	GUIDE ADJ BRACKET
40	PH7790037	TEMPLATE GUIDE