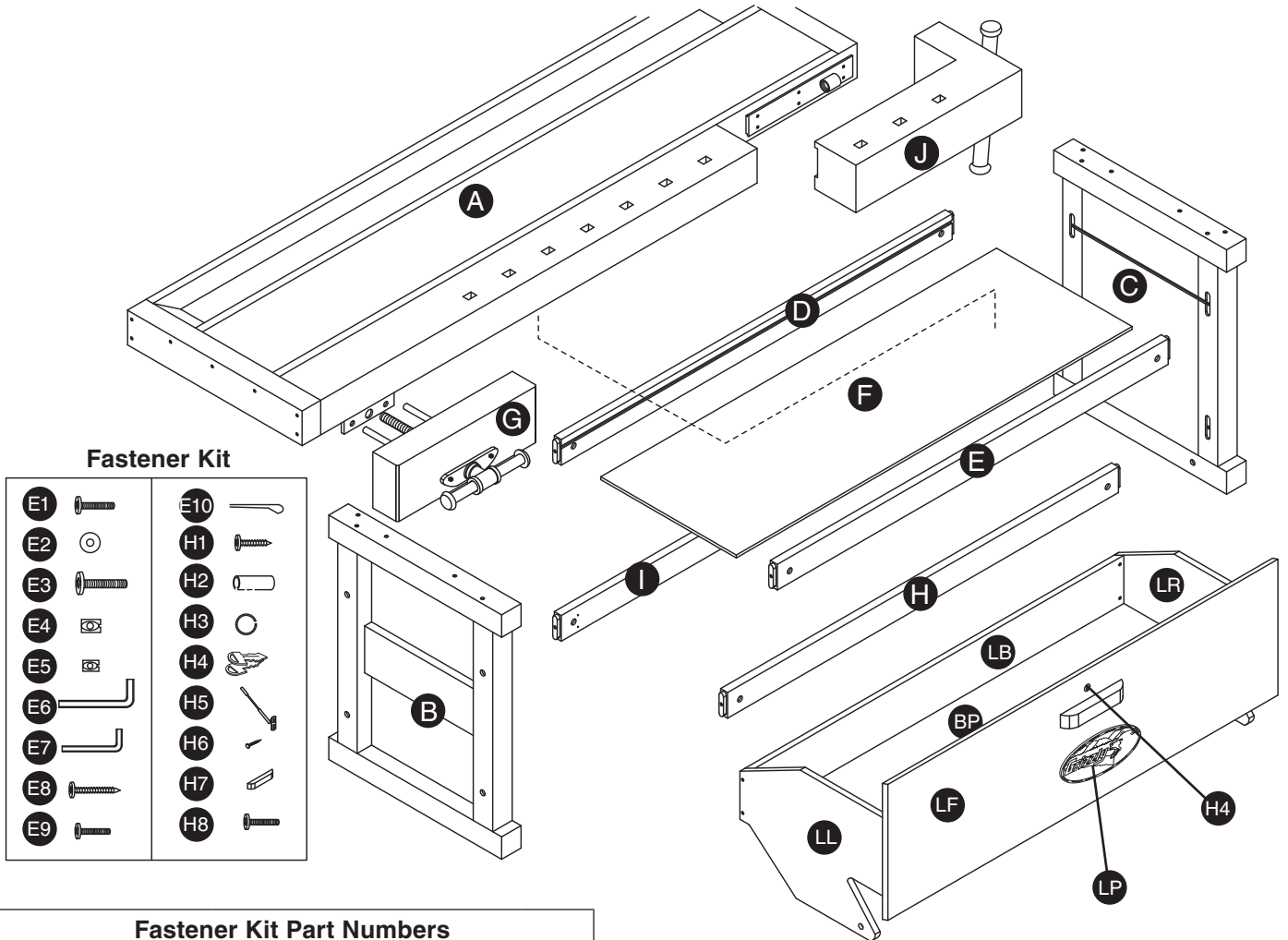


Parts Breakdown and List



Fastener Kit Part Numbers

REF	PART	DESCRIPTION	QTY
E1	PH7725018	BARREL BOLT 2"	8
E2	PH7725006	FLAT WASHER	18
E3	PH7725024	BARREL BOLT 3 1/2"	8
E4	PH7725025	LARGE BARREL NUT	8
E5	PH7725019	SMALL BARREL NUT	8
E6	PAW05M	HEX WRENCH 5MM	1
E7	PAW04M	HEX WRENCH 4MM	1
E8	PH7725031	WOOD SCREW 2"	4
E9	PH7725014	SPECIAL SCREW 1 1/2"	2
E10	PH7725032	COTTER PIN	2
H1	PH7725043	WOOD SCREW #5 x 1 1/16"	4
H2	PH7725016	BRASS TUBE	2
H3	PH7725015	LOCK WASHER	2
H4	PH7725020	KEY/LOCK SET	2
H5	PH7725010	GAS SPRING	2
H6	PH7725011	FLAT HD SCREW	4
H7	PH7725008	DRAWER PULL HANDLE	1
H8	PH7725009	SPECIAL SCREW 1"	2

REF	PART	DESCRIPTION	QTY
A	PH7725001	TABLE TOP	1
B	PH7725033	LEFT LEG	1
C	PH7725002	RIGHT LEG	1
D	PH7725026	TOP BACK CROSS BRACE	1
E	PH7725034	TOP FRONT CROSS BRACE	1
F	PH7725040	CABINET TOP PANEL	1
G	PH7725028	FRONT VISE	1
H	PH7725029	LWR FRONT CROSS BRACE	1
I	PH7725027	LWR BACK CROSS BRACE	1
J	PH7725036	TAIL VISE	1
LF	PH7725023	DRAWER FACE	1
LB	PH7725037	DRAWER BACK PANEL	1
LR	PH7725039	DRAWER RIGHT SIDE PANEL	1
LL	PH7725038	DRAWER LEFT SIDE PANEL	1
BP	PH7725035	BOTTOM DRAWER PANEL	1
LP	G8589	GRIZZLY LOGO PLATE	1

