

READ THIS FIRST

Grizzly Industrial, Inc.®

Model G9979/G9980

IMPORTANT UPDATE

For Machines Mfd. Since January, 2014
& Owner's Manual Printed November, 2005

For questions or help with this product contact Tech Support at (570) 546-9663 or techsupport@grizzly.com

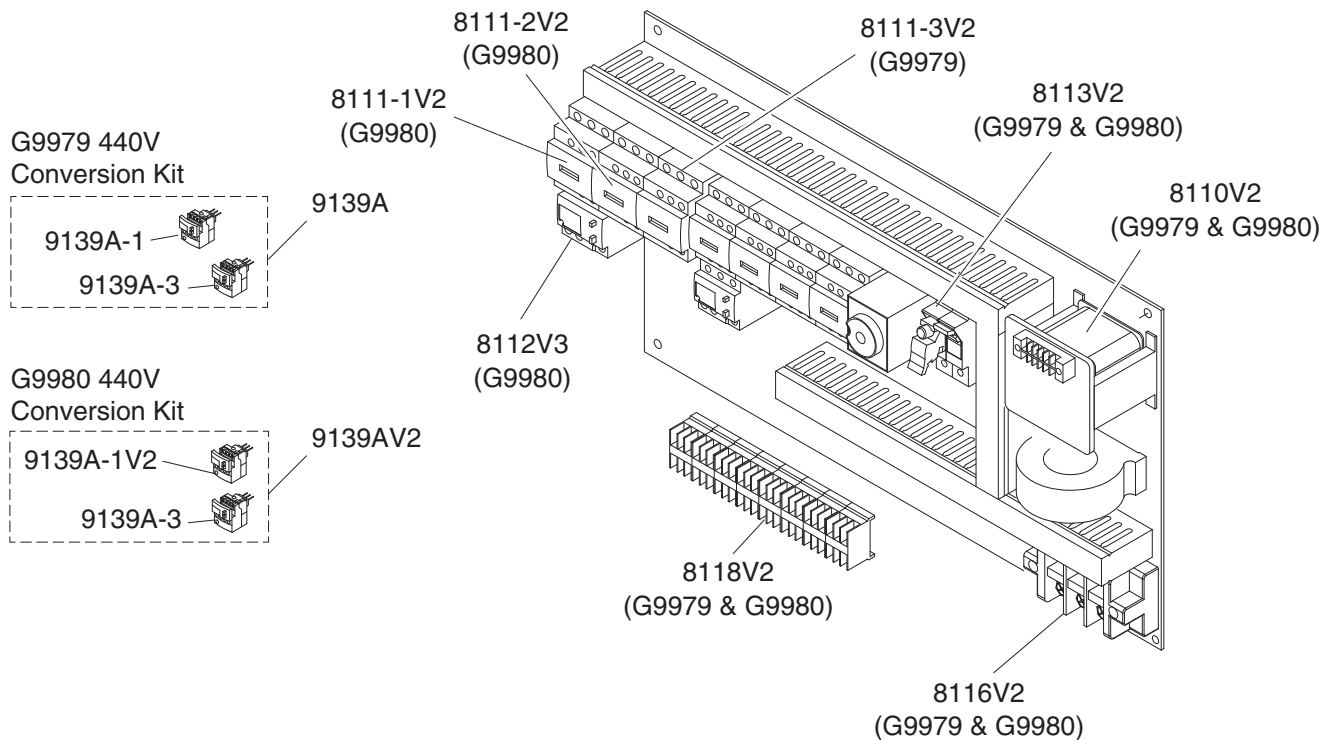
The following changes were made to this machine since the owner's manual was printed:

- Obtained CSA certification meeting CSA C22.2 #105-1953 and UL 987-7th standards.
- Changed sanding motor contactor and relay, conveyor contactor, transformer, and terminal bar.
- Changed models of 440V conversion kit components.
- Changed circuit requirements.
- Changed machine and 220V electrical cabinet wiring.
- Replaced oscillation diaphragm assembly with an air cylinder (P/N 6139).

Note: At the top of each page is a note that indicates which page it replaces or changes in the original manual. On the parts list, the new parts are designated with a "V2" or "V3".

Aside from this information, all other content in the owner's manual applies and **MUST** be read and understood for your own safety. **IMPORTANT: Keep this update with the owner's manual for future reference.** For questions or help, contact our Tech Support at (570) 546-9663 or techsupport@grizzly.com.

Electrical Cabinet Changed Parts (Changes Page 70)



COPYRIGHT © NOVEMBER, 2010 BY GRIZZLY INDUSTRIAL, INC., REVISED JULY, 2014 (TS)

WARNING: NO PORTION OF THIS MANUAL MAY BE REPRODUCED IN ANY SHAPE OR FORM WITHOUT THE WRITTEN APPROVAL OF GRIZZLY INDUSTRIAL, INC.

#TR13507 PRINTED IN TAIWAN

Electrical Cabinet Changed Parts List (*Changes Page 71*)

Common Parts

REF	PART #	DESCRIPTION
8110V2	P99798110V2	TRANSFORMER SUEN SP-TB8-20250 0-440 V2.09.10
8111-1V2	P99808111-1V2	CONTACTOR SCHN LC1D40A 220V V2.09.10
8111-2V2	P99808111-2V2	CONTACTOR SCHN LC1D40A 220V V2.09.10
8111-3V2	P99798111-3V2	CONTACTOR SCHN LC1D25 220V V2.09.10
8112V3	P99808112V3	OL RELAY SCHN LRD340 30-40A V3.04.13
8113V2	P99798113V2	FUSE 4A W/HOUSING V2.09.10
8116V2	P99798116V2	TERMINAL BAR 25P V2.09.10
8118V2	P99798118V2	TERMINAL BAR 4P V2.09.10

G9979 440V Conversion Kit

REF	PART #	DESCRIPTION
9139A	P99799139A	440V CONVERSION KIT
9139A-1	P99799139A-1	OL RELAY SCHN LR3D21 12-18A
9139A-3	P99799139A-3	OL RELAY SCHN LR3D08 2.5-4A

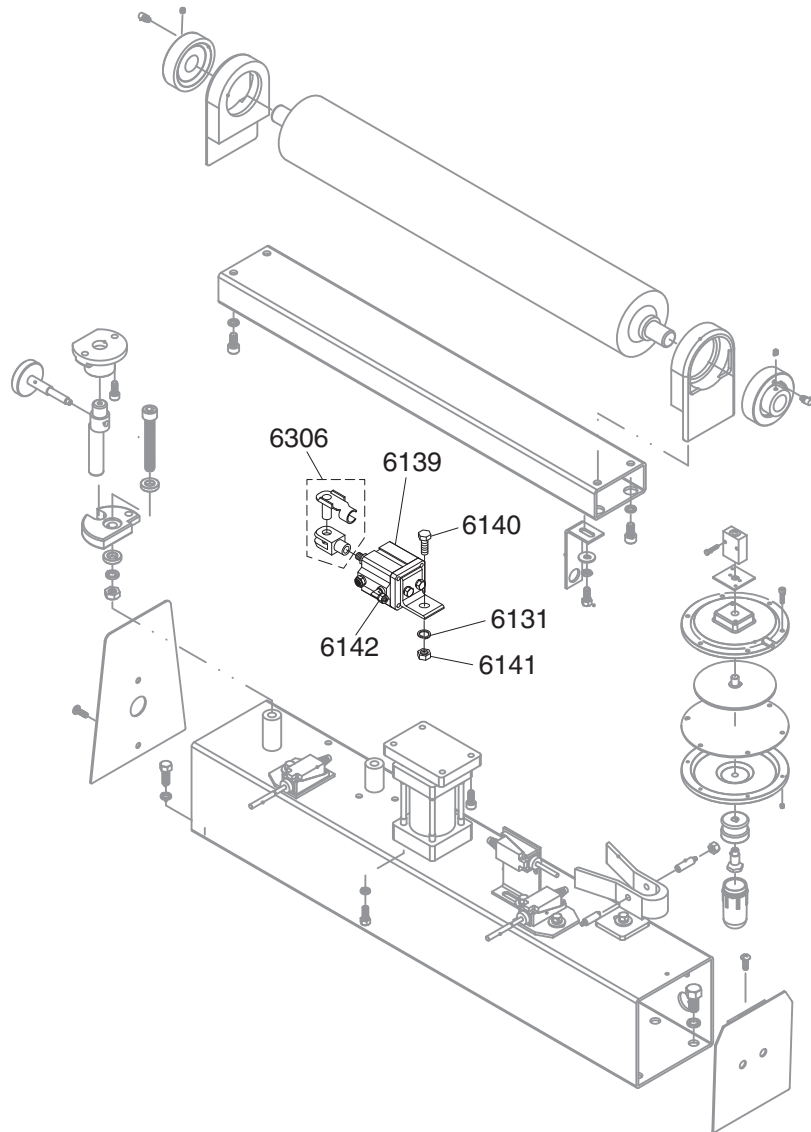
G9980 440V Conversion Kit

REF	PART #	DESCRIPTION
9139AV2	P99809139AV2	440V CONVERSION KIT V2.09.10
9139A-1V2	P99809139A-1V2	OL RELAY SCHN LR3D325 17-25A V2.09.10
9139A-3	P99809139A-3	OL RELAY SCHN LR3D08 2.5-4A

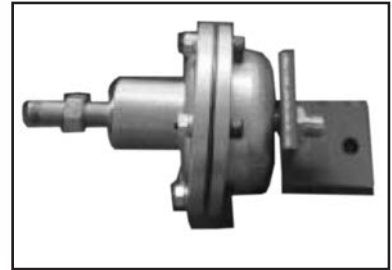


Changes Pages 66-67

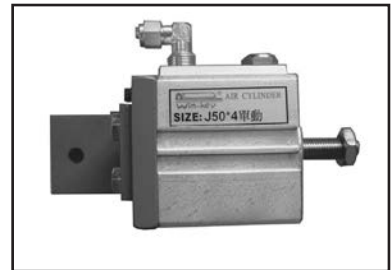
New Upper Roller Air Cylinder



Previous Version Oscillation Diaphragm Assembly



New Version Air Cylinder (Part No 6139)



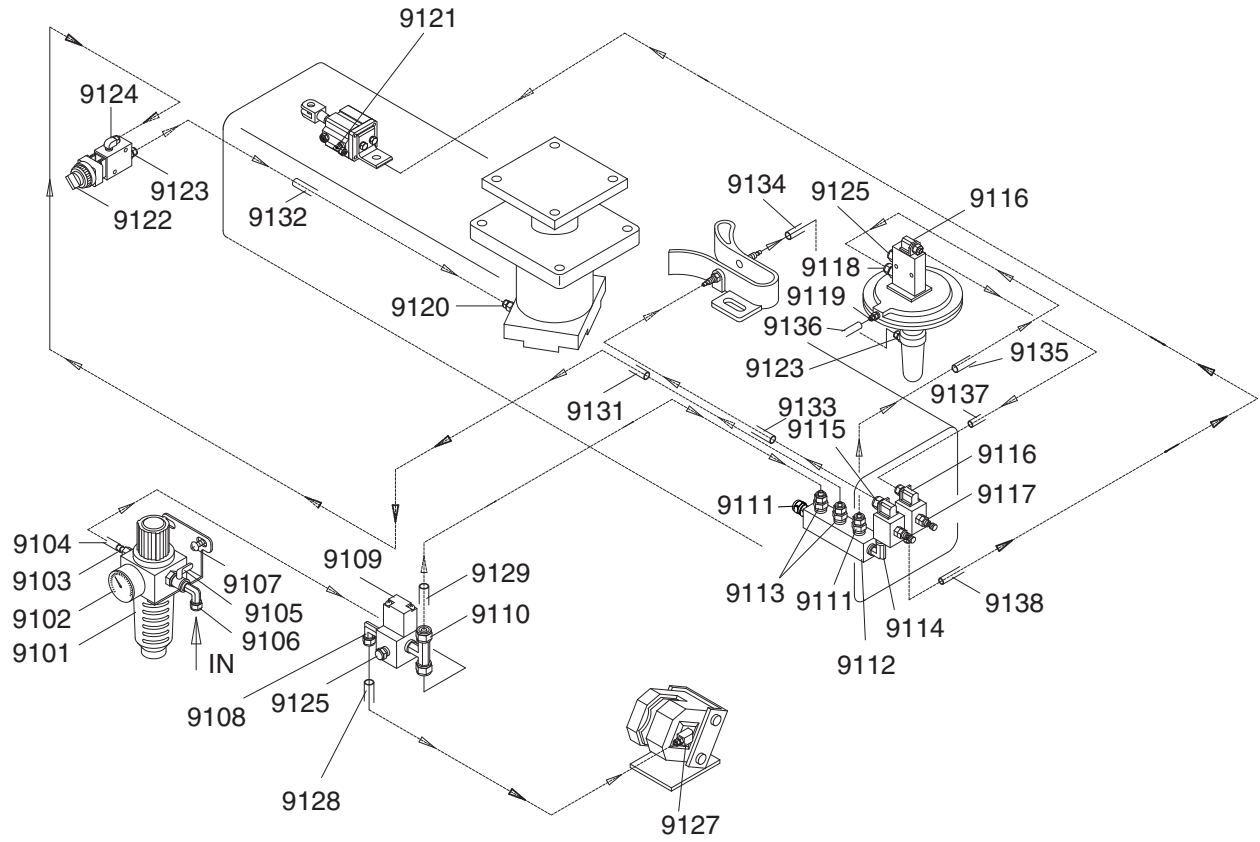
REF	PART #	DESCRIPTION
6131	P99796131	LOCK WASHER 5/16
6139	P99796139	OSCILLATING AIR CYLINDER 50 X 4
6140	P99796140	HEX BOLT 5/16-18 X 1-1/2

REF	PART #	DESCRIPTION
6141	P99796141	HEX NUT 5/16-18
6142	P99796142	CONNECTOR 1/4N X 1/4T X 90DEG
6306	P99796306	UNIVERSAL JOINT FORK



Replaces Page 72

Belt Oscillation System Diagram



Replaces Page 73

Belt Oscillation System Parts List

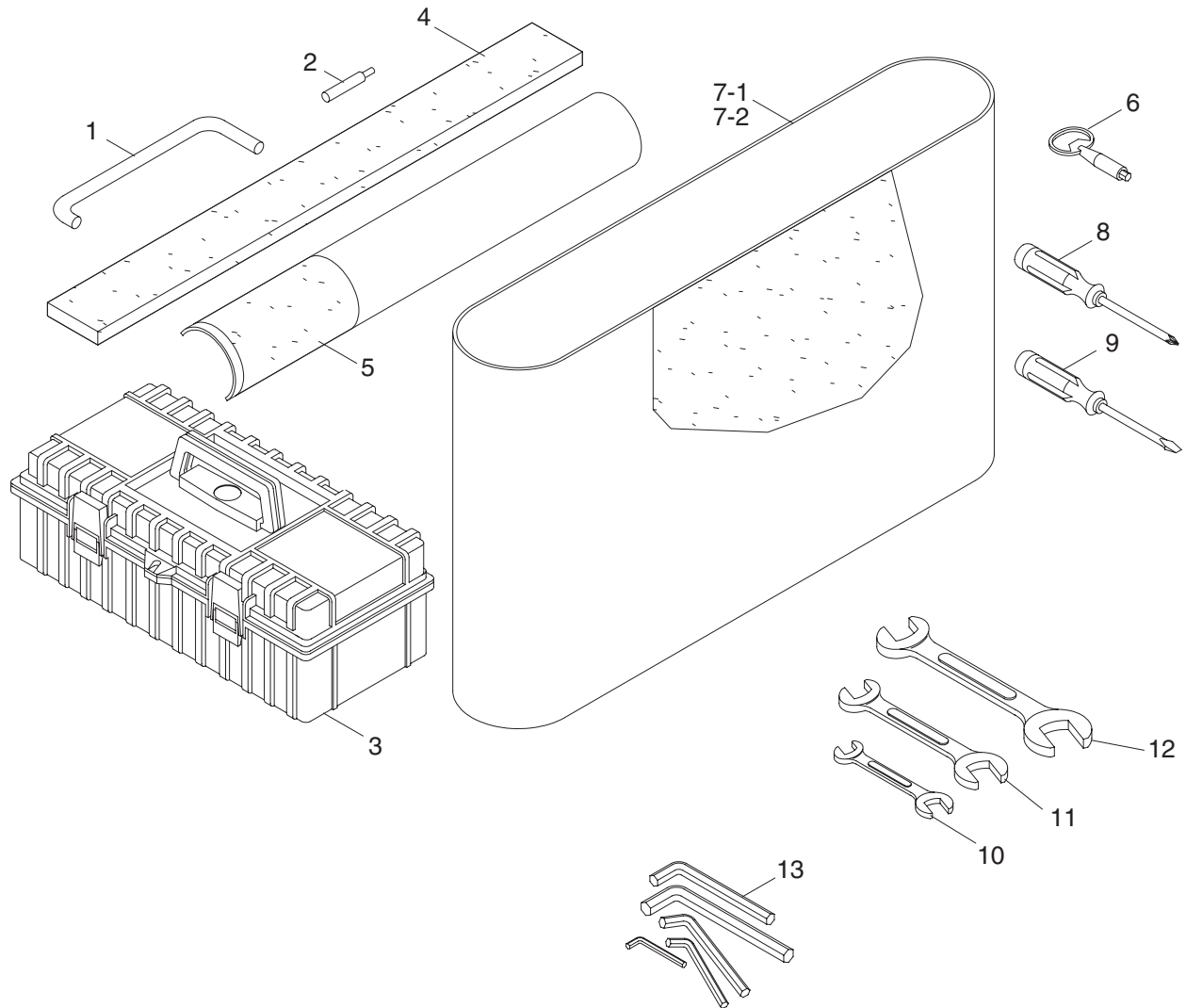
9101	P99799101	FILTER CUP
9102	P99799102	PRESSURE REGULATOR
9103	P99799103	BRONZE CONNECTOR
9104	P99799104	FLEXIBLE HOSE
9105	P99799105	AIR SWITCH
9106	P99799106	ELBOW
9107	PS22	PHLP HD SCR 10-24 x 5/8
9108	PH29339108	ELBOW 5/16N X1/8T 90°
9109	P99799109	SOLENOID VALVE
9110	PH29339110	T-FITTING 5/16N X 5/16N X 1/8T
9111	P99799111	CONNECTOR 1/4N X 1/4T
9112	PH29339112	MANIFOLD 1/4N
9113	P99799113	CONNECTOR 5/16N X 1/4T
9114	P99799114	ELBOW 1/4T X 1/8T X 90°
9115	PH29339115	CONNECTOR 1/4N X1/8T 90°
9116	PH29339116	CONNECTOR 1/4N X1/8T 90°
9117	P99799117	THROTTLE VALVE
9118	P99799118	BRASS CONNECTOR

9119	P99799119	CONNECTOR 1/4N
9120	P99799120	CONNECTOR 1/4N X 3/8T
9121	P99799121	CONNECTOR 1/4N X 1/4T X 90°
9122	P99799122	AIR SWITCH
9123	PH29339123	CONNECTOR 1/4N X1/8T
9124	PH29339124	CONNECTOR 1/4N X1/8T 90°
9125	P99799125	BRONZE BUFFER
9127	PH29339127	CONNECTOR 5/16N X 1/8T 90°
9128	P99799128	8MM FLEXIBLE HOSE
9129	P99799129	8MM FLEXIBLE HOSE
9131	P99799131	6MM FLEXIBLE HOSE
9132	P99799132	6MM FLEXIBLE HOSE
9133	P99799133	6MM FLEXIBLE HOSE
9134	P99799134	6MM FLEXIBLE HOSE
9135	P99799135	6MM FLEXIBLE HOSE
9136	P99799136	6MM FLEXIBLE HOSE
9137	P99799137	6MM FLEXIBLE HOSE
9138	P99799138	6MM FLEXIBLE HOSE



SECTION 8: PARTS

Tool Box and Accessories Diagram



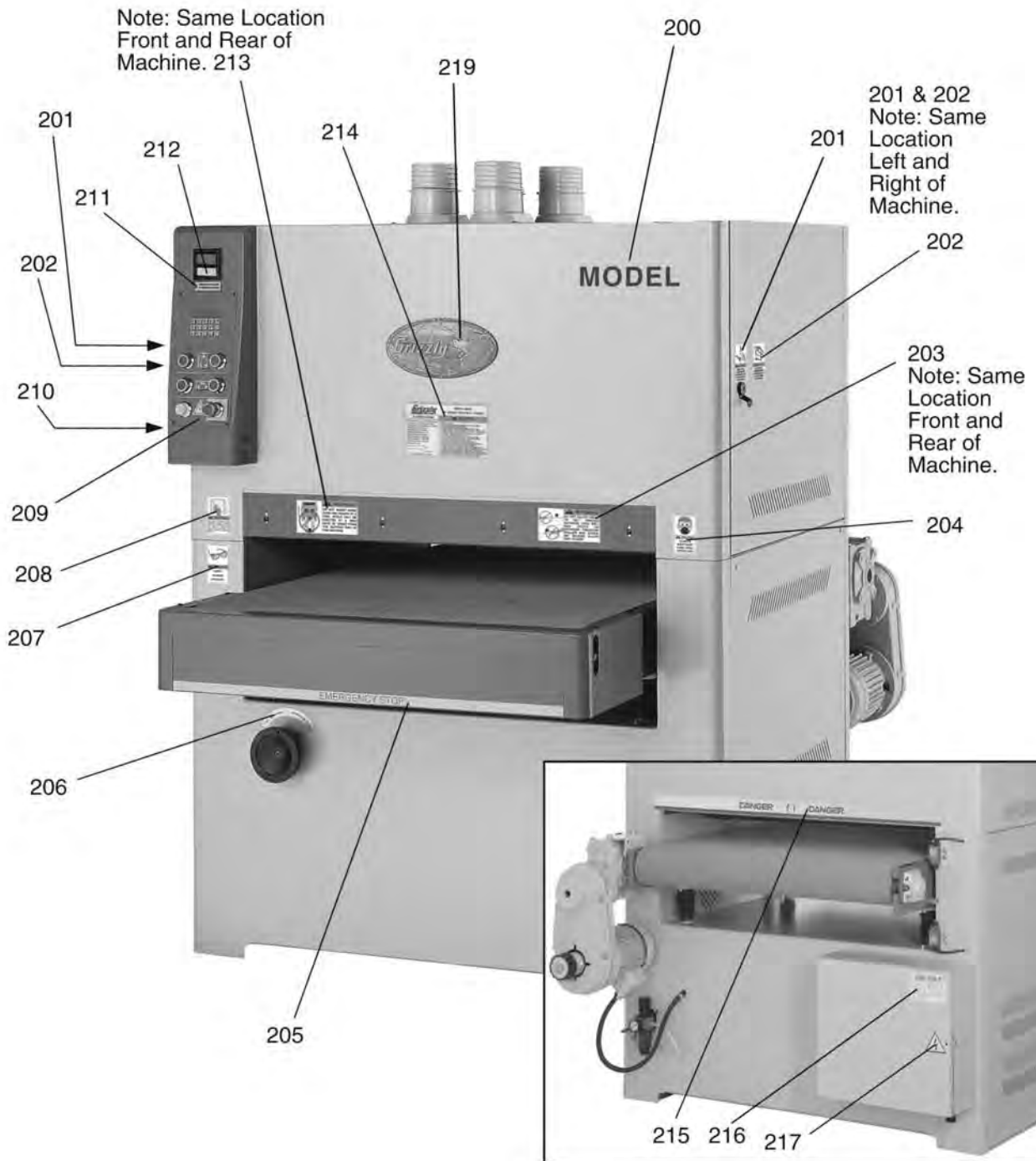
Tool Box and Accessories Parts List

REF	PART #	DESCRIPTION
1	P99790001	PLATEN REMOVAL TOOL
2	P99790002	CERAMIC LIMIT SWITCH TUBE
3	P99790003	TOOL BOX
4	P99790004	FELT PAD (G9979)
4	P99800004	FELT PAD (G9980)
5	P99790005	GRAPHITE PAD (G9979)
5	P99800005	GRAPHITE PAD(G9980)
6	P99790006	DOOR KEY
7-1	P99790007-1	SANDING BELT: #100 (G9979)

REF	PART #	DESCRIPTION
7-1	P99800007-1	SANDING BELT: #100 (G9980)
7-2	P99790007-2	SANDING BELT: #180 (G9979)
7-2	P99800007-2	SANDING BELT: #180 (G9980)
8	P99790008	PHILLIP'S SCREWDRIVER
9	P99790009	FLAT SCREWDRIVER
10	PWR810	WRENCH 8 X 10
11	PWR1214	WRENCH 12 X 14
12	PWR1719	WRENCH 17 X 19
13	P99790013	HEX WRENCH SET



Label Diagram



! WARNING

Safety labels warn about machine hazards and ways to prevent injury. The owner of this machine **MUST** maintain the original location and readability of the labels on the machine. If any label is removed or becomes unreadable, **REPLACE** that label before using the machine again. Contact Grizzly at (800) 523-4777 or www.grizzly.com to order new labels.



Labels List

REF	PART #	DESCRIPTION
200	P9979200	LABEL (MODEL G9979)
200	P9980200	LABEL (MODEL G9980)
201	PLABEL13	LABEL (UNPLUG)
202	PLABEL-30	LABEL (CLOSE DOOR)
203	PLABEL-22	LABEL (HAND PINCH)
204	PLABEL-32	LABEL (USE RESPIRATOR)
205	P9962Z205	LABEL (EMERGENCY STOP)
206	P0582206	LABEL (ROTATION)
207	PLABEL-35	LABEL (SAFETY GLASSES)
208	PLABEL-12	LABEL (READ MANUAL)
209	P9962Z209	LABEL (CONTROL PANEL)
210	PLABEL-27	LABEL (CONVERSION CHART)

REF	PART #	DESCRIPTION
211	P9979211	LABEL (AMP LOAD FOR G9979)
211	P9980211	LABEL (AMP LOAD FOR G9980)
212	P0582212	LABEL (AMP METER)
213	PLABEL-16	LABEL (SANDER KICKBACK)
214	P9979112	LABEL (MACHINE DATA G9979)
214	P9980112	LABEL (MACHINE DATA G9980)
215	P9980215	LABEL (DANGER STRIPE)
216	P9979216	LABEL (PREWIRED: 220V, 3-PH)
216-1	P9979216-1	LABEL (PREWIRED: 440V, 3-PH)
217	P9962217Z	LABEL (ELECTRICAL)
219	G8589	GRIZZLY LOGO PLATE



Sanding Motor System Parts List

REF	PART #	DESCRIPTION
1101	P99791101	MACHINE FRAME (G9979)
1101	P99801101	MACHINE FRAME (G9980)
1102	P99791102	MOTOR BASE
1103	P99791103	MOTOR BASE HINGE
1104	PN06	HEX NUT 1/2-12
1105	P99791105	MOTOR BASE ADJUSTMENT ROD
1106	PLW07	LOCK WASHER 1/2
1107	PB40	HEX BOLT 1/2-12 X 1-1/4
1108	PW01	FLAT WASHER 1/2
1109	P99791109	MOTOR (G9979)
1109	P99801109	MOTOR (G9980)
1109-1	P99791109-1	FAN (G9979)
1109-1	P99801109-1	FAN (G9980)
1109-2	P99791109-2	FAN COVER (G9979)
1109-2	P99801109-2	FAN COVER (G9980)
1110	P99791110	PULLEY (G9979)
1110	P99801110	PULLEY (G9980)
1111	PSB11	CAP SCREW 5/16-18 X 1-1/4
1112	PLW01	LOCK WASHER 5/16
1113	P99791113	KEY 14 x 9 x 105MM
1114	PB03	HEX BOLT 5/16-18 X 1
1115	PLW01	LOCK WASHER 5/16
1116	P99791116	DISC BRAKE
1118	P99791118	PULLEY BUSHING
1119	PVB68	V-BELT B-68 5L680
1121	P99791121	BRAKE BRACKET

REF	PART #	DESCRIPTION
1122	PW02	FLAT WASHER 3/8
1123	PB21	HEX BOLT 3/8-16 X 3/4
1124	P99791124	THREADED HUB 5/8 X 11
1125	PSB05	CAP SCREW 1/4-20 X 3/4
1126	P99791126	LIMIT SWITCH
1127	P99791127	LIMIT SWITCH PLATE
1128	PB19	HEX BOLT 1/4-20 X 1/2
1129	PW06	FLAT WASHER 1/4
1132	P99791132	BACK COVER
1133	PB19	HEX BOLT 1/4-20 X 1/2
1301	P99791301	BRAKE BRACKET
1301-1	P99791301-1	BRAKE BRACKET FRONT GUARD
1301-2	P99791301-2	COMPLETE BRAKE LINING KIT
1302-1	P99791302-1	BRAKE LINING
1302-2	P99791302-2	BRAKE LINING
1303	P99791303	BRAKE ARBOR
1304	P99791304	BRAKE SPRING 3.3 X 24.5 X 24
1305	P99791305	BRAKE INSIDE PIECE
1306	PFH04	FLAT HD SCR 1/4-20 X 5/8
1307	P99791307	BRAKE PIN
1308	PSB31	CAP SCREW 10-24 X 5/8
1309	PR03M	EXT RETAINING RING 12MM
1310	PLW04	LOCK WASHER 3/8
1311	PN08	HEX NUT 3/8-16
1312	PSB04	CAP SCREW 1/4-20 X 1/2
1313	P99791313	BRAKE GASKET



Table Lift System Diagram

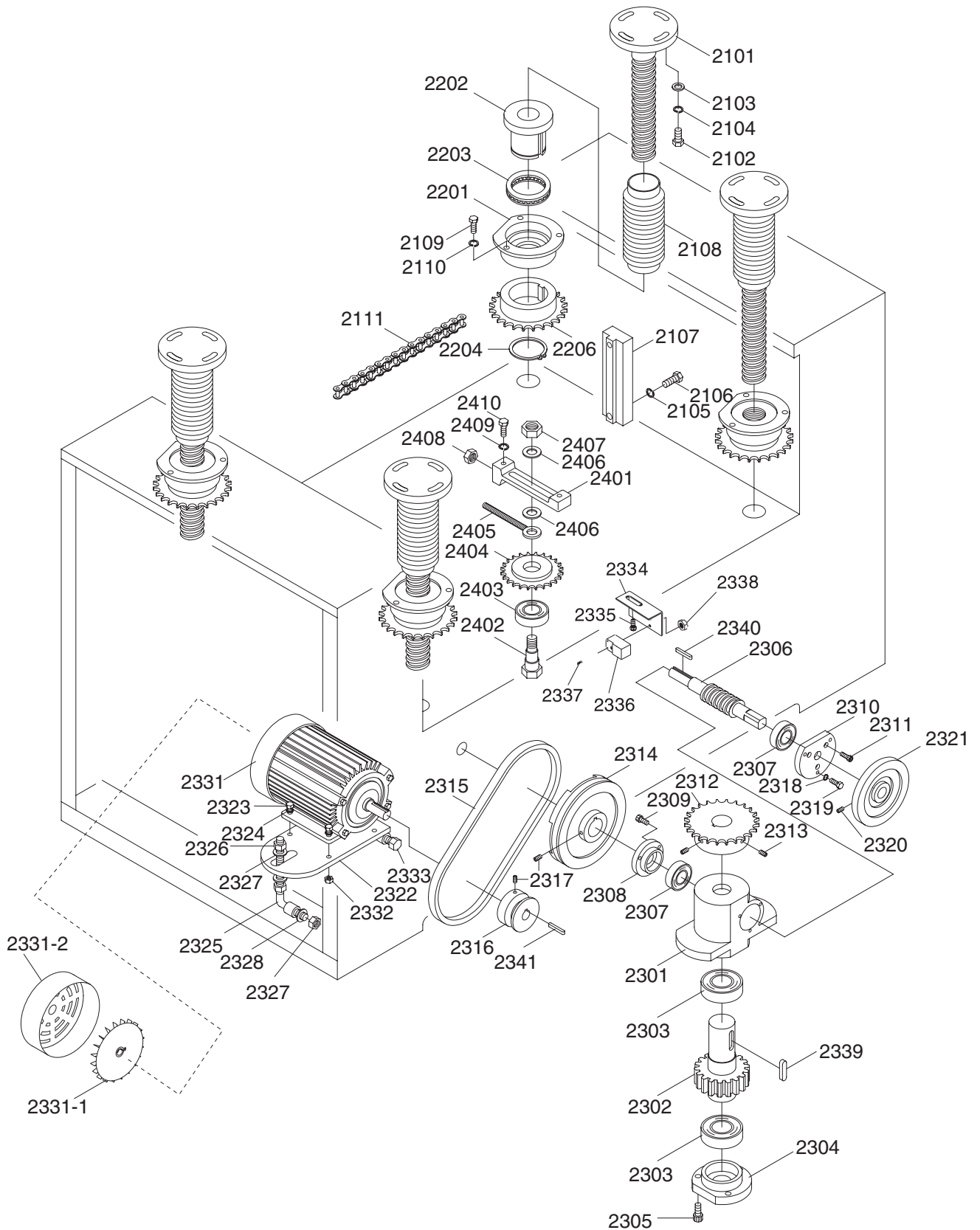


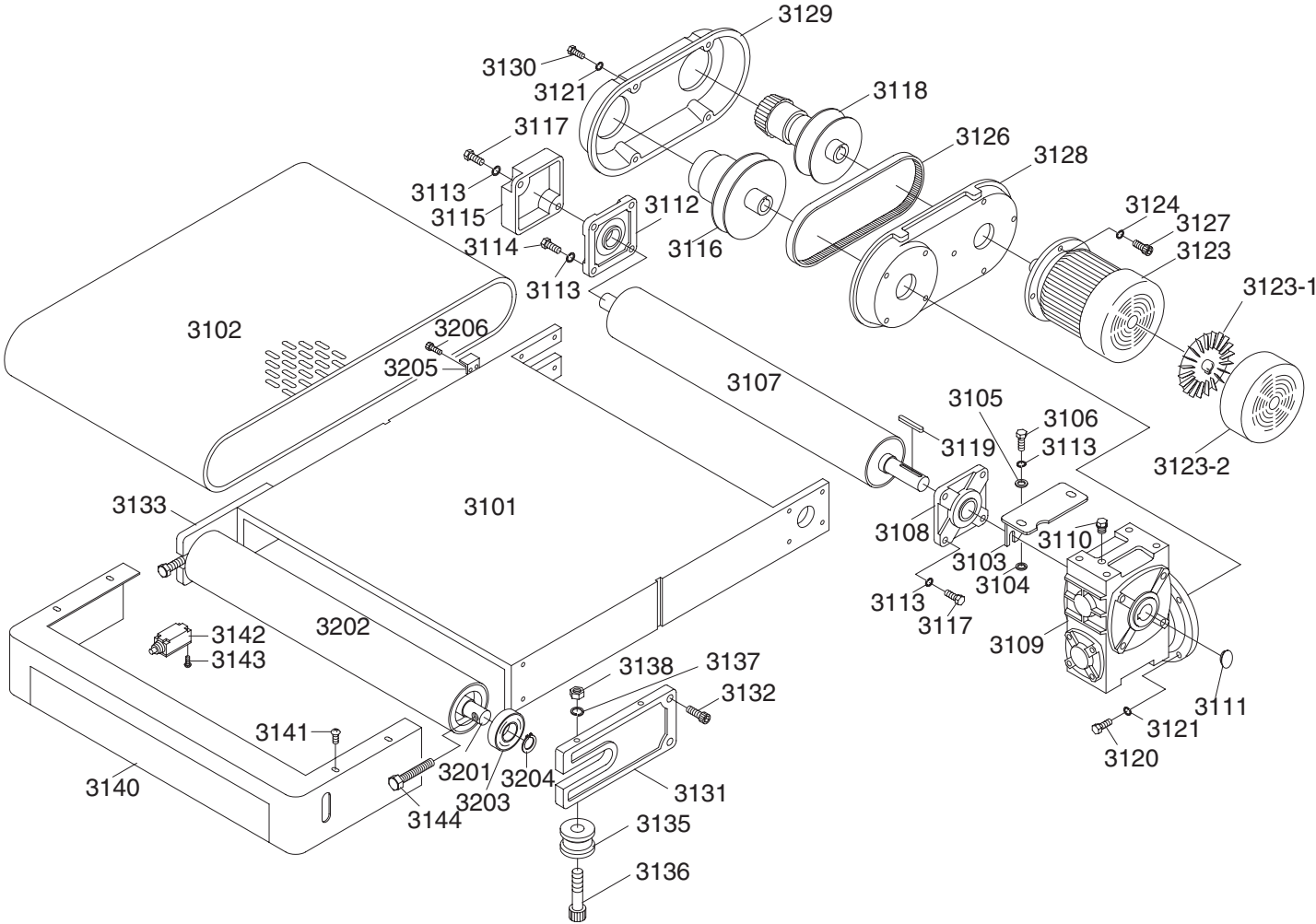
Table Lift System Parts List

REF	PART #	DESCRIPTION
2101	P99792101	ELEVATION SCREW 1 X 5 X 280
2102	PB07	HEX BOLT 5/16-18 X 3/4
2103	PW07	FLAT WASHER 5/16
2104	PLW01	LOCK WASHER 5/16
2105	PLW04	LOCK WASHER 3/8
2106	PB18	HEX BOLT 3/8-16 X 1
2107	P99792107	ELEVATION SLIDE
2108	P99792108	DUST GUARD BELLOW
2109	PB07	HEX BOLT 5/16-18 X 3/4
2110	PLW01	LOCK WASHER 5/16
2111	P99792111	CHAIN (G9979)
2111	P99802111	CHAIN (G9980)
2201	P99792201	NUT HOUSING
2201-1	P99792201-1	NUT HOUSING ASSEMBLY
2202	P99792202	NUT 1 X 5
2203	P51107	THRUST BEARING 51107
2204	PR12M	EXT RETAINING RING 35MM
2206	P99792206	SPROCKET WHEEL
2301	P99792301	ELEVATION GEAR BOX
2302	P99792302	WORM GEAR
2303	P6005	BALL BEARING 6005ZZ
2304	P99792304	BEARING CAP
2305	PSB05	CAP SCREW 1/4-20 X 3/4
2306	P99792306	WORM
2307	P6002	BALL BEARING 6002ZZ
2308	P99792308	BEARING CAP
2309	PSB31	CAP SCREW 10-24 X 5/8
2310	P99792310	BEARING CAP
2311	PSB01	CAP SCREW 1/4-20 X 5/8
2312	P99792312	SPROCKET WHEEL
2313	PSS07	SET SCREW 1/4-20 X 1/2
2314	P99792314	PULLEY
2315	PVA34	V-BELT A-34 4L340

REF	PART #	DESCRIPTION
2316	P99792316	PULLEY
2317	PSS07	SET SCREW 1/4-20 X 1/2
2318	PLW01	LOCK WASHER 5/16
2319	PB07	HEX BOLT 5/16-18 X 3/4
2320	PSS06	SET SCREW 1/4-20 X 3/4
2321	P99792321	HAND WHEEL
2322	P99792322	MOTOR BASE
2323	PB31	HEX BOLT 1/4-20 X 1
2324	PLW02	LOCK WASHER 1/4
2325	P99792325	MOTOR BASE ADJUSTMENT ROD
2326	PW01	FLAT WASHER 1/2
2327	PW01	FLAT WASHER 1/2
2328	PLW07	LOCK WASHER 1/2
2331	P99792331	MOTOR
2332	PN05	HEX NUT 1/4-20
2333	P99792333	HEX BOLT 1/2-12 X 4-1/2
2334	P99792334	PROXIMITY SWITCH PLATE
2335	P99792335	SCREW 1/4-20 X 3/4
2336	P99792336	PROXIMITY SWITCH
2339	PK14	KEY 5/16 X 5/16 X 3/4
2340	PK48M	KEY 4 X 4 X 20
2341	PK37M	KEY 4 X 4 X 16
2401	P99792401	ADJUSTMENT PIECE
2402	P99792402	SPROCKET WHEEL SHAFT
2403	P6003	BALL BEARING 6003ZZ
2404	P99792404	ADJUSTMENT SPROCKET WHEEL
2405	P99792405	ADJUSTMENT ROD
2406	PW02	FLAT WASHER 3/8
2407	PN08	HEX NUT 3/8-16
2408	PN02	HEX NUT 5/16-18
2409	PLW01	LOCK WASHER 5/16
2410	PB07	HEX BOLT 5/16-18 X 3/4



Conveyor System Diagram



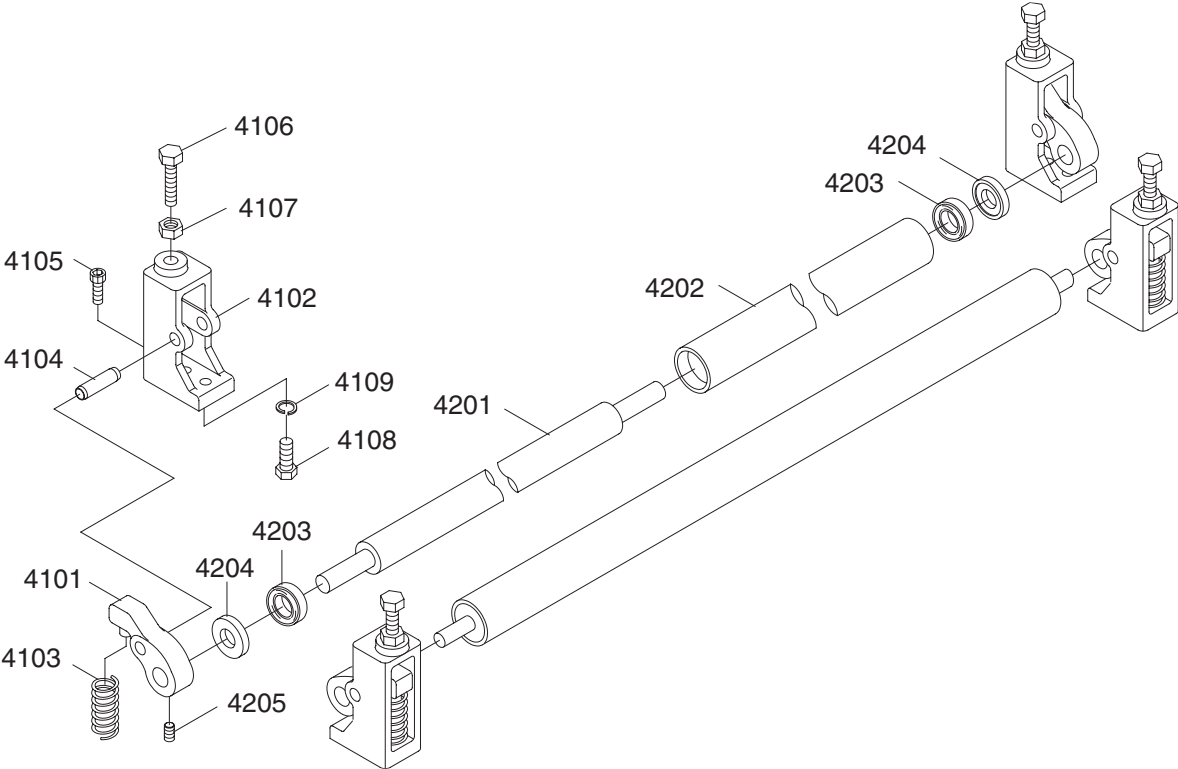
Conveyor System Parts List

REF	PART #	DESCRIPTION
3101	P99793101	CONVEYOR TABLE (G9979)
3101	P99803101	CONVEYOR TABLE (G9980)
3102	P99793102	CONVEYOR BELT (G9979)
3102	P99803102	CONVEYOR BELT (G9980)
3103	P99793103	GEARBOX FIX PLATE
3104	P99793104	CUSHION
3105	PW02	FLAT WASHER 3/8
3106	PB18	HEX BOLT 3/8-16 X 1
3107	P99793107	OUTFEED ROLLER (G9979)
3107	P99803107	OUTFEED ROLLER (G9980)
3108	PUCF205	BALL BEARING UCF205
3109	P99793109	REDUCER
3110	P99793110	PLUG
3111	P99793111	PLUG
3112	PUCF205	BALL BEARING UCF205
3113	PLW04	LOCK WASHER 3/8
3114	PB24	HEX BOLT 3/8-16 X 1-1/4
3115	P99793115	BEARING CAP
3116	P99793116	DRIVEN PULLEY
3117	PB16	HEX BOLT 3/8-16 X 1-1/2
3118	P99793118	DRIVING PULLEY
3119	PK66M	KEY 7 X 7 X 55
3120	PB07M	HEX BOLT M8-1.25 X 25
3121	PLW04M	LOCK WASHER 8MM
3123	P99793123	MOTOR (G9979)
3123	P99803123	MOTOR (G9980)
3123-1	P99793123-1	FAN (G9979)
3123-1	P99803123-1	FAN (G9980)
3123-2	P99793123-2	FAN COVER (G9979)

REF	PART #	DESCRIPTION
3123-2	P99803123-2	FAN COVER (G9980)
3124	PLW06	LOCK WASHER 5/8
3126	P99793126	TIMING BELT 1422V-290
3127	PSB64M	CAP SCREW M10-1.5 X 25
3128	P99793128	BASE PLATE
3129	P99793129	VARIABLE SPEED UNIT COVER
3130	PSS21M	SET SCREW M8-1.25 X 25
3131	P99793131	INFEED ROLLER BRACKET
3132	PSB33	CAP SCREW 10-24 x 3/4
3133	P99793133	INFEED ROLLER BRACKET
3135	P99793135	POSITIONING WHEEL
3136	PSB70	CAP SCREW 5/16-18 X 2
3137	PLW01	LOCK WASHER 5/16
3138	PN02	HEX NUT 5/16-18
3140	P99793140	FRONT BRAKE COVER (G9979)
3140	P99803140	FRONT BRAKE COVER (G9980)
3141	PS04	PHLP HD SCR 1/4-20 X 1/2
3142	P99793142	LIMIT SWITCH
3143	PS10	PHLP HD SCR 10-24 x 1 1/2
3144	P99793144	CONVEYOR BELT ADJUST. ROD
3201	P99793201	INFEED ROLLER SHAFT (G9979)
3201	P99803201	INFEED ROLLER SHAFT (G9980)
3202	P99793202	INFEED ROLLER (G9979)
3202	P99803202	INFEED ROLLER (G9980)
3203	P6206	BALL BEARING 6206ZZ
3204	PR15M	EXT RETAINING RING 30MM
3205	P99793205	ELEVATION ALUMINUM LIMITER
3206	PSB62	CAP SCREW 1/4-20 X 1-1/2



Feed, Drum, and Pressure Roller Diagram



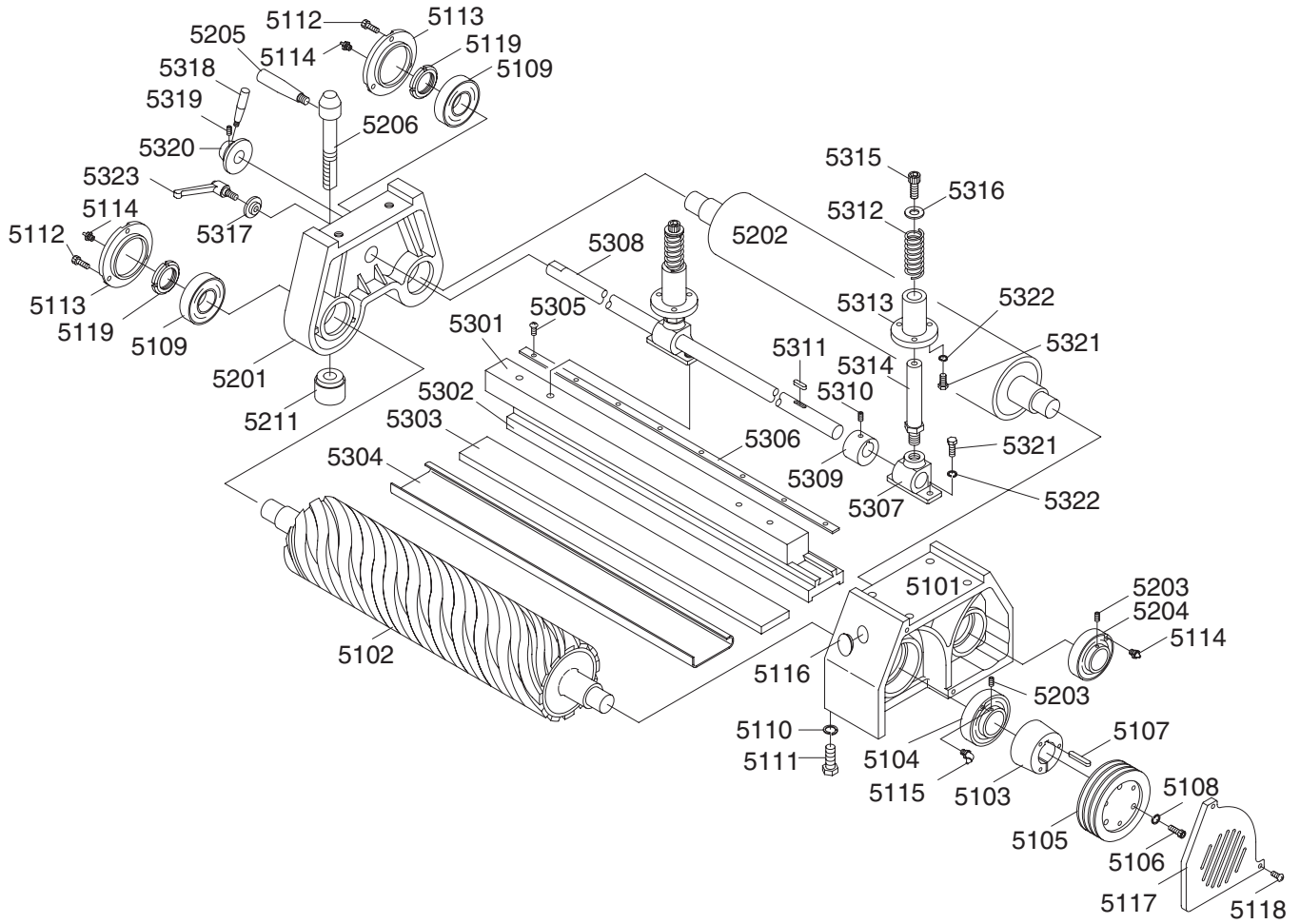
Feed, Drum, and Pressure Roller Parts List

REF	PART #	DESCRIPTION
4101	P99794101	PISTON SLIDERAIL (G9979)
4101	P99804101	PISTON SLIDERAIL (G9980)
4102	P99794102	PISTON BRACKET
4103	P99794103	SPRING 3 X 15.6 X 57
4104	P99794104	PIN 10M/M X 35M/M
4105	PSB04	CAP SCREW 1/4-20 X 1/2
4106	PB11	HEX BOLT 5/16-18 X 1-1/2
4107	PN02	HEX NUT 5/16-18
4108	PB12	HEX BOLT 5/16-18 X 1-1/4

REF	PART #	DESCRIPTION
4109	PLW01	LOCK WASHER 5/16
4201	P99794201	PISTON ROLLER SHAFT (G9979)
4201	P99804201	PISTON ROLLER SHAFT (G9980)
4202	P99794202	PISTON ROLLER (G9979)
4202	P99804202	PISTON ROLLER (G9980)
4203	P6001	BALL BEARING 6001ZZ
4204	P99794204	SHAFT BEARING COLLER
4205	PSS03	SET SCREW 1/4-20 X 3/8



Sanding Drum and Platen System Diagram



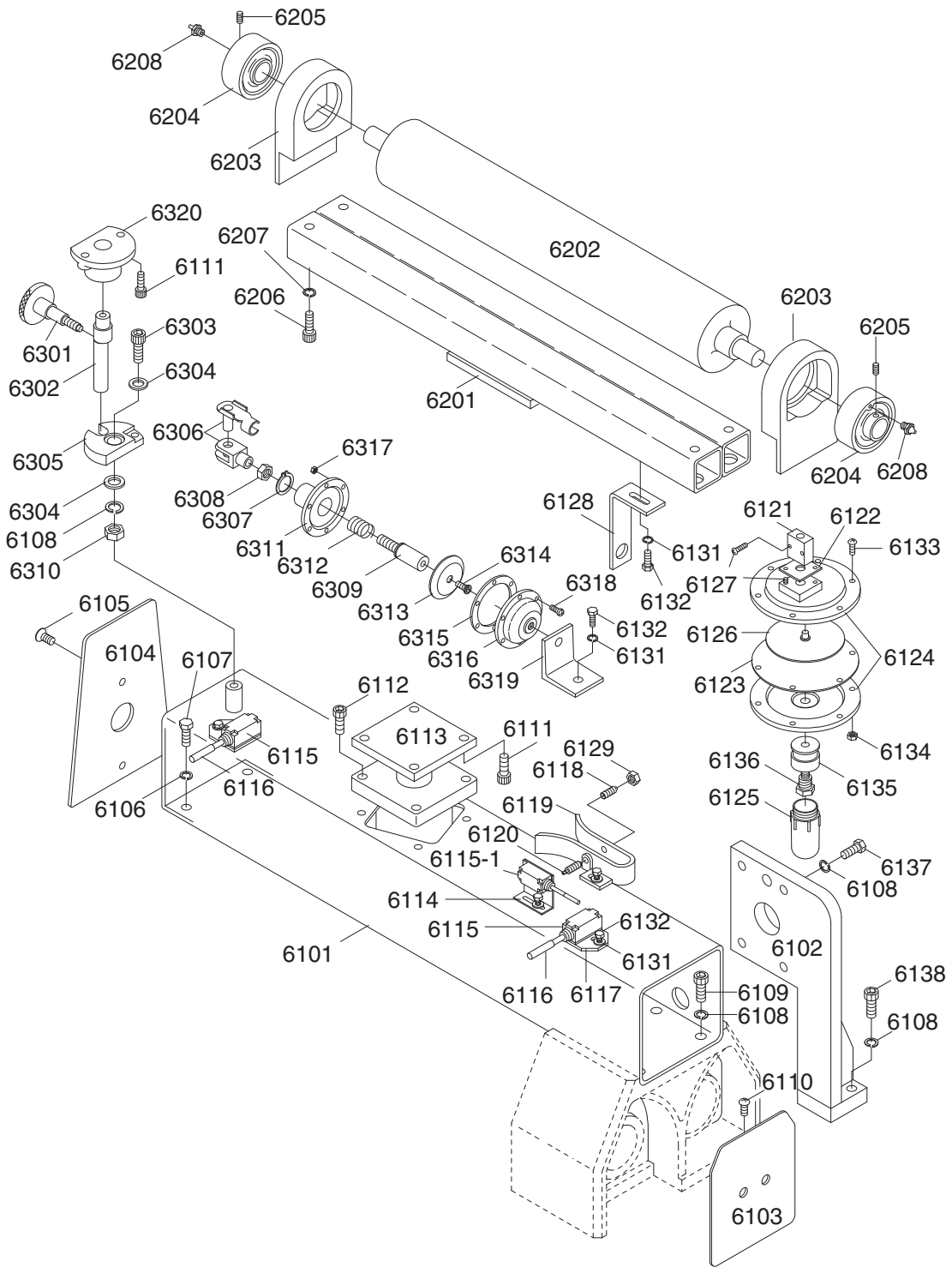
Sanding Drum, and Platen System Parts List

REF	PART #	DESCRIPTION
5101	P99795101	BEARING HOUSING
5102	P99795102	RUBBER ROLLER (G9979)
5102	P99805102	RUBBER ROLLER (G9980)
5103	P99795103	FASTENING TUBE
5104	P99625104	BEARING UCC206
5105	P99795105	PULLEY
5106	PSB11	CAP SCREW 5/16-18 X 1-1/4
5107	PK11	KEY 5/16 X 5/16 X 1 3/16
5108	PLW01	LOCK WASHER 5/16
5109	P6205	BALL BEARING 6205ZZ
5110	PLW07	LOCK WASHER 1/2
5111	PSB76	CAP SCREW 1/2-12 X 1-1/2
5112	PSB04	CAP SCREW 1/4-20 X 1/2
5113	P99795113	BEARING CAP
5114	P99795114	FILTER
5116	P99795116	PLUG
5117	P99795117	COVER OF PULLEY
5118	PS04	PHLP HD SCR 1/4-20 X 1/2
5119	P99795119	SPANNER NUT
5201	P99795201	BEARING HOUSING
5202	P99795202	STEEL ROLLER (G9979)
5202	P99805202	STEEL ROLLER (G9980)
5203	PSS01M	SET SCREW M6-1 X 10
5204	P99625204	BEARING UCC205
5205	P99795205	HANDLE
5206	P99795206	FLAT HEAD SCREW 5/8 X 11
5211	P99795211	BEARING BRACKET PAD
5301	P99795301	BRACKET (MALE) (G9979)
5301	P99805301	BRACKET (MALE) (G9980)
5302	P99795302	BRACKET (FEMALE) (G9979)

REF	PART #	DESCRIPTION
5302	P99805302	BRACKET (FEMALE) (G9980)
5303	P99795303	FELT PAD (G9979)
5303	P99805303	FELT PAD (G9980)
5304	P99795304	GRAPHITE PAD (G9979)
5304	P99805304	GRAPHITE PAD (G9980)
5305	PS01	PHLP HD SCR 10-24 X 1/2
5306	P99795306	PRESSURE PLATE (G9979)
5306	P99805306	PRESSURE PLATE (G9980)
5307	P99795307	BASE
5308	P99795308	SHAFT (G9979)
5308	P99805308	SHAFT (G9980)
5309	P99795309	FASTENING TUBE (G9979)
5309	P99805309	FASTENING TUBE (G9980)
5310	PSS11	SET SCREW 1/4-20 X 1/4
5311	P99625311	SET SCREW 1/4-20 X 1
5312	P99795312	SPRING 3.5 X 21 X 65
5313	P99795313	HOUSING (G9979)
5313	P99805313	HOUSING (G9980)
5314	P99795314	SHAFT (G9979)
5314	P99805314	SHAFT (G9980)
5315	PSB16	CAP SCREW 3/8-16 X 3/4
5316	PW02	FLAT WASHER 3/8
5317	P99795317	WASHER 3/8 X 38 X 10
5318	P99795318	HANDLE
5319	PSS08	SET SCREW 5/16-18 X 1/2
5320	P99795320	RING FOR ADJUSTMENT
5321	PB03	HEX BOLT 5/16-18 X 1
5322	PW07	FLAT WASHER 5/16
5323	P99795323	HANDLE



Upper Roller System Diagram



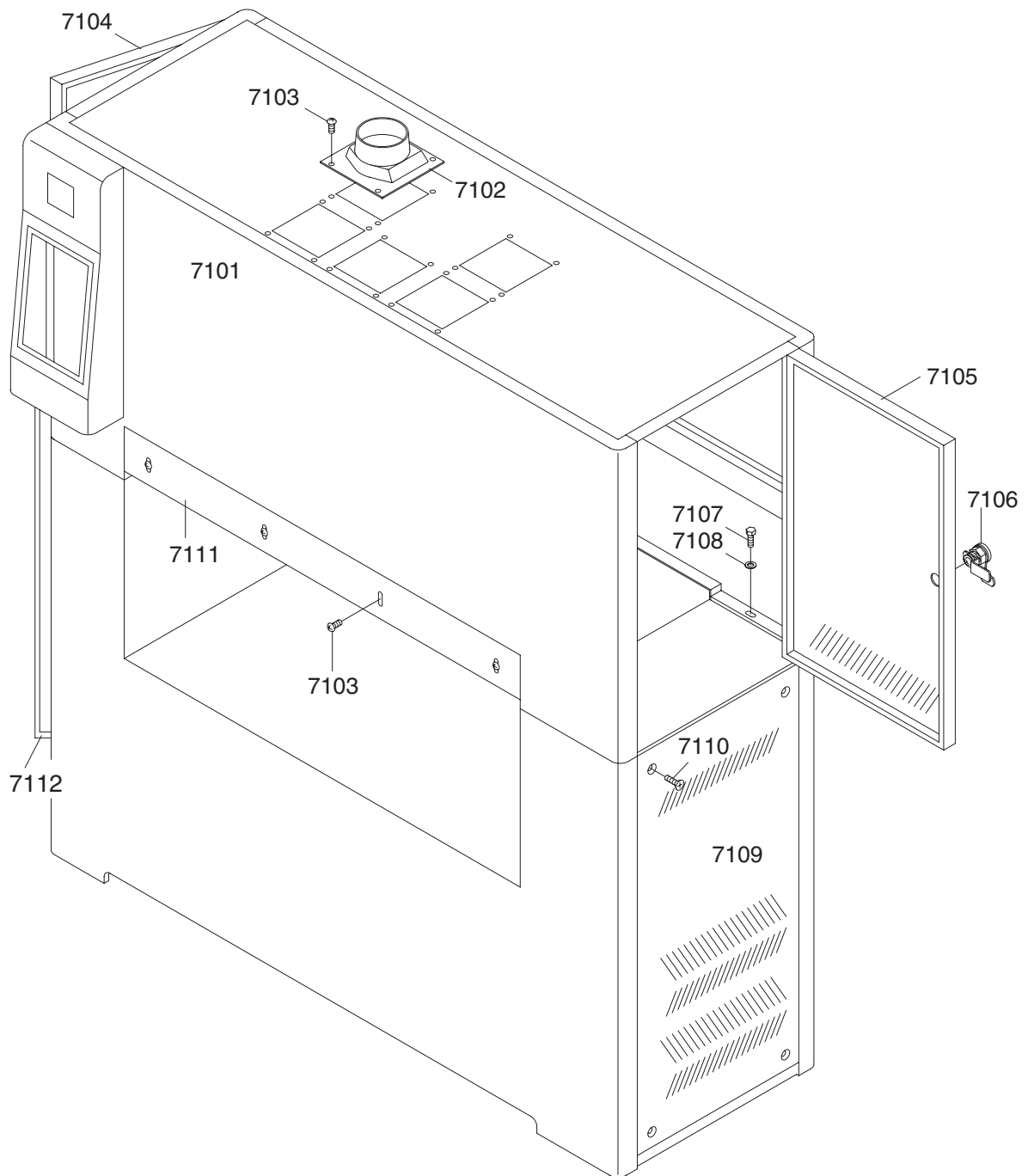
Upper Roller System Parts List

REF	PART #	DESCRIPTION
6101	P99796101	SQUARE FRAME (G9979)
6101	P99806101	SQUARE FRAME (G9980)
6102	P99796102	SUPPORTING FRAME
6103	P99796103	SQUARE FRAME SEAL (RIGHT)
6104	P99796104	SQUARE FRAME SEAL (LEFT)
6105	PFH03	FLAT HD SCR 1/4-20 X 1/2
6106	PLW04	LOCK WASHER 3/8
6107	PB18	HEX BOLT 3/8-16 X 1
6108	PLW07	LOCK WASHER 1/2
6109	PSB76	CAP SCREW 1/2-12 X 1-1/2
6111	PSB07	CAP SCREW 5/16-18 X 3/4
6112	PSB03	CAP SCREW 5/16-18 X 1
6113	P99796113	AIR CYLINDER
6114	P99796114	LIMIT SWITCH HOLDER (L TYPE)
6115	P9962Z6115	LIMIT SWITCH WITH CERAMIC TIP
6115-1	P99796115-1	LIMIT SWITCH WITH PLASTIC TIP
6116	P99796116	LIMIT SWITCH POST
6117	P99796117	LIMIT SWITCH HOLDER
6118	P99796118	AIR SENSOR NOZZLE (FEMALE)
6119	P99796119	AIR CYLINDER BRACKET
6120	P99796120	AIR SENSOR NOZZLE (MALE)
6121	P99796121	THROTTLE VALVE
6122	P99796122	THROTTLE VALVE BASE
6123	P99796123	DIAPHRAGM
6124	P99796124	ALUMINUM DISC
6125	P99796125	OIL CAP
6126	P99796126	ALUMINUM PLATE
6127	PS52M	PHLP HD SCR M4-.7 X 20
6128	P99796128	POWER OFF PLATE
6129	PN11	HEX NUT 3/8-24
6131	PLW01	LOCK WASHER 5/16
6132	PB09	HEX BOLT 5/16-18 X 1/2
6133	PS08	PHLP HD SCR 10-24 X 3/4
6134	PN07	HEX NUT 10-24

REF	PART #	DESCRIPTION
6135	P99796135	OIL CAP CONNECTOR
6136	P99796136	SHAFT OF OIL CAP
6137	PB53	HEX BOLT 1/2-12 X 1
6138	PSB76	CAP SCREW 1/2-12 X 1-1/2
6201	P99796201	ROLLER BRACKET (G9979)
6201	P99806201	ROLLER BRACKET (G9980)
6202	P99796202	ROLLER (G9979)
6202	P99806202	ROLLER (G9980)
6203	P99796203	UPPER ROLLER BRACKET
6204	P99625204	BEARING UCC205
6205	PSS02M	SET SCREW M6-1 X 6
6206	PSB33	CAP SCREW 10-24 x 3/4
6207	PLW04	LOCK WASHER 3/8
6208	P99796208	FILTER
6301	P99796301	TRIMMING SCREW 2 X 90MM
6302	P99796302	ECCENTRIC ROD
6303	PSB79	CAP SCREW 1/2-12 X 3-1/2
6304	PW01	FLAT WASHER 1/2
6305	P99796305	ECCENTRIC PIECE
6306	P99796306	UNIVERSAL JOINT FORK
6307	PR05M	EXT RETAINING RING 15MM
6308	PN27M	HEX NUT M10-1.5 (LH)
6309	P99796309	SHAFT OF AIR CYLINDER
6310	PN06	HEX NUT 1/2-12
6311	P99796311	BOTTOM COVER
6312	P99796312	COMPRESSION SPRING
6313	P99796313	ALUMINUM PLATE
6314	PFH02M	FLAT HD SCR M6-1 X 12
6315	P99796315	DIAPHRAGM
6316	P99796316	TOP COVER
6317	PN07	HEX NUT 10-24
6318	PS08	PHLP HD SCR 10-24 X 3/4
6319	P99796319	AIR CYLINDER FIRING BASE
6320	P99796320	FRAME OF ECCENTRIC SHAFT



Cabinet Assembly Diagram



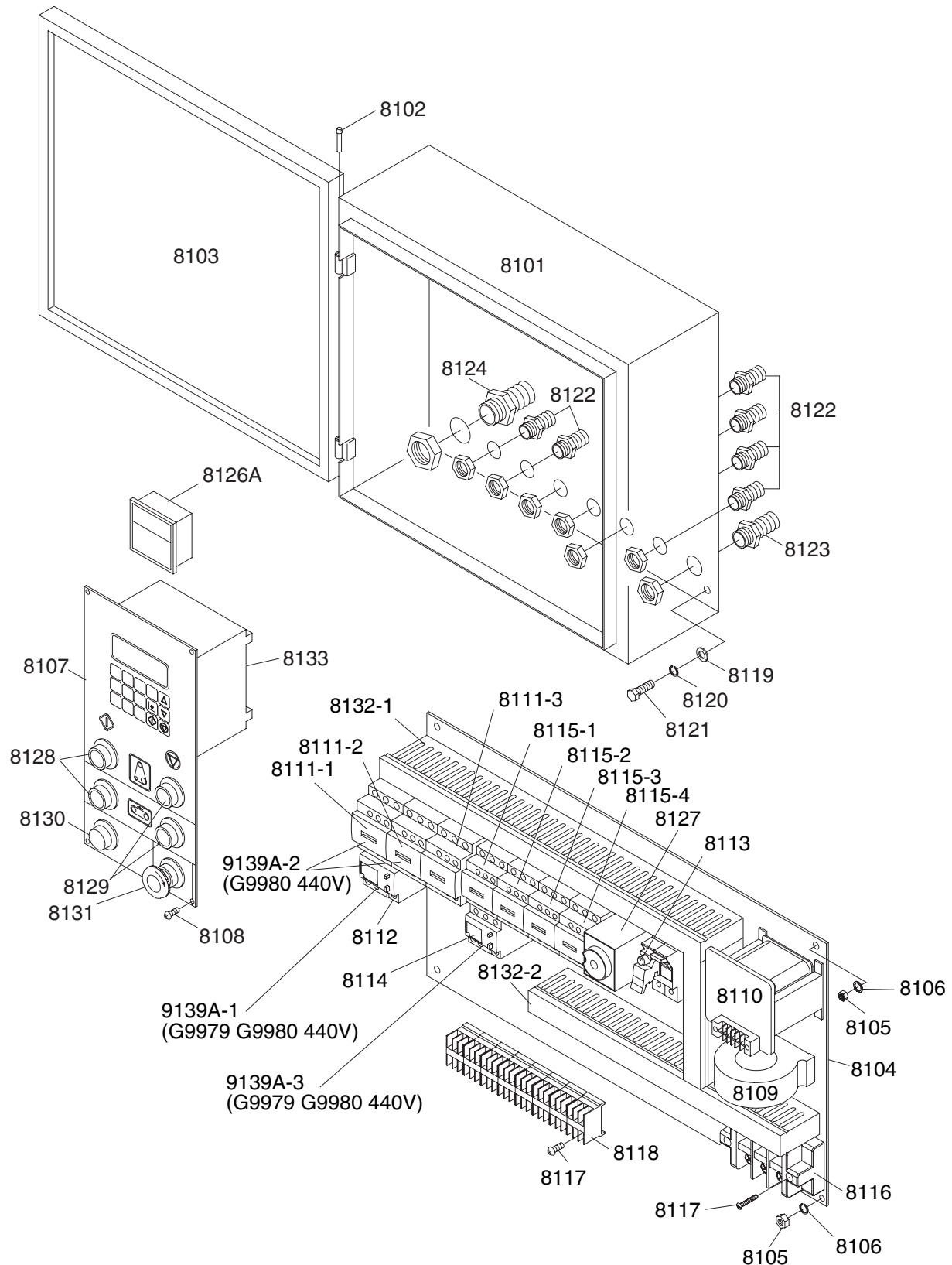
Cabinet Assembly Parts List

REF	PART #	DESCRIPTION
7101	P99797101	UPPER FRAME COVER (G9979)
7101	P99807101	UPPER FRAME COVER (G9980)
7102	P99797102	DUST PORT
7103	PS14M	PHLP HD SCR M6-1 X 12
7104	P99797104	LEFT DOOR, UPPER FRAME
7105	P99797105	RIGHT DOOR, UPPER FRAME
7106	P99797106	DOOR LOCK

REF	PART #	DESCRIPTION
7107	PB07	HEX BOLT 5/16-18 X 3/4
7108	PW07	FLAT WASHER 5/16
7109	P99797109	RIGHT DOOR, LOWER FRAME
7110	PFH03	FLAT HD SCR 1/4-20 X 1/2
7111	P99797111	PROTECTION PLATE (G9979)
7111	P99807111	PROTECTION PLATE (G9980)
7112	P99797112	LEFT DOOR, LOWER FRAME



Main Electrical Panel and Controls Diagram



Main Electrical Panel and Controls Parts List

REF	PART #	DESCRIPTION
8101	P99798101	ELECTRICAL BOX
8102	P99798102	HINGE
8103	P99798103	DOOR
8104	P99798104	BASE PLATE
8105	PN05	HEX NUT 1/4-20
8106	PLW02	LOCK WASHER 1/4
8107	P99798107	CONTROL PANEL
8108	PS07M	PHLP HD SCR M4-.7 X 8
8109	P99798109	CURRENT SENSOR
8110	P99798110	TRANSFORMER
8111	P99798111	MAGNETIC CONTACTOR
8111-1	P99798111-1	MAGNETIC CONTACTOR LC1-D386 (G9979)
8111-1	P99808111-1	MAGNETIC CONTACTOR LCI-D40 (G9980)
8111-2	P99798111-2	MAGNETIC CONTACTOR LC1-D386 (G9979)
8111-2	P99808111-2	MAGNETIC CONTACTOR LCI-D40 (G9980)
8111-3	P99798111-3	MAGNETIC CONTACTOR LC1-D326 (G9979)
8111-3	P99780111-3	MAGNETIC CONTACTOR LC1-D386 (G9980)
8112	P99798112	OVERLOAD RELAY LR3D-356 (30-38A) 220V 32A (G9979)
8112	P99808112	OVERLOAD RELAY LR3D-3355 (30-40A) 220V 36A (G9980)
8113	P99798113	4A FUSE (WITH HOUSING)

REF	PART #	DESCRIPTION
8114	P99798114	OVERLOAD RELAY LR3D-126 (5.5-8A) 220V 6A (G9979 G9980)
8115-1	P99798115-1	MAGNETIC CONTACTOR LC1-D096
8115-2	P99798115-2	MAGNETIC CONTACTOR LC1-096(W/LOCK)
8115-3	P99798115-3	MAGNETIC CONTACTOR LC1-096(W/LOCK)
8115-4	P99798115-4	MAGNETIC CONTACTOR LC1-D096
8116	P99798116	POWER WIRE TERMINAL
8117	PS51M	PHLP HD SCR M4-.7 X 30
8118	P99798118	TERMINAL PLATE
8119	PW07	FLAT WASHER 5/16
8120	PLW01	LOCK WASHER 5/16
8121	PB19	HEX BOLT 1/4-20 X 1/2
8122	P99798122	PU CONNECTOR 1/2"
8123	P99798123	PU CONNECTOR 3/4"
8124	P99798124	CABLE CONNECTOR 1"
8126A	P99798126A	DIGITALAMP METER
8127	P99798127	START TIMER
8128	P99798128	START SWITCH
8129	P99798129	STOP SWITCH
8130	P99798130	POWER INDICATION LIGHT
8131	P99798131	EMERGENCY STOP SWITCH
8132-1	P99798132-1	WIRE COLUMN
8132-2	P99798132-2	WIRE COLUMN
8133	P99798133	COMPUTER

G9979 440V CONVERSION KIT

9139A	P99809139A	COMPLETE 440V CONVERSION KIT (G9979)
9139A-1	P99799139A-1	THERMAL RELAY LR3D-216 (12-18A) 440V 16A (G9979)
9139A-3	P99799139A-3	THERMAL RELAY LR3D-086 (2.5-6A) 440V 3A (G9979)

G9980 440V CONVERSION KIT

9139A	P99809139-A	COMPLETE 440V CONVERSION KIT (G9980)
9139A-1	P99809139A-1	THERMAL RELAY LR3D-226 (16-24A) 440V 18A (G9980)
9139A-2	P99809139A-2	CONTACTOR (SET OF TWO) LC1-D386 440V (G9980)
9139A-3	P99809139A-3	THERMAL RELAY LR3D-086 (2.5-4A) 440V 3A (G9980)



Belt Oscillation System Parts List

REF	PART #	DESCRIPTION
9101	P99799101	FILTER CUP
9102	P99799102	PRESSURE REGULATOR
9103	P99799103	BRONZE CONNECTOR
9104	P99799104	FLEXIBLE HOSE
9105	P99799105	AIR SWITCH
9106	P99799106	ELBOW
9107	PS22	PHLP HD SCR 10-24 x 5/8
9108	PH29339108	ELBOW 5/16N X1/8T 90°
9109	P99799109	SOLENOID VALVE
9110	PH29339110	T-FITTING 5/16N X 5/16N X 1/8T
9111	PH29339111	CONNECTOR
9112	PH29339112	MANIFOLD 1/4N
9113	PH29339113	CONNECTOR 5/16N X1/8T
9114	PH29339114	ELBOW 1/4N X 1/4N 90°
9115	PH29339115	CONNECTOR 1/4N X1/8T 90°
9116	PH29339116	CONNECTOR 1/4N X1/8T 90°
9117	P99799117	THROTTLE VALVE
9118	P99799118	BRASS CONNECTOR
9119	PH29339119	CONNECTOR 1/4N X1/8T

REF	PART #	DESCRIPTION
9120	PH29339120	CONNECTOR 3/8N X1/8T
9121	PH29339121	CONNECTOR 1/4N X1/8T
9122	P99799122	AIR SWITCH
9123	PH29339123	CONNECTOR 1/4N X1/8T
9124	PH29339124	CONNECTOR 1/4N X1/8T 90°
9125	P99799125	BUFFER
9126	P99799126	MULTIPLE HOLE CONNECTOR
9127	PH29339127	CONNECTOR 5/16N X 1/8T 90°
9128	P99799128	8MM FLEXIBLE HOSE
9129	P99799129	6MM FLEXIBLE HOSE
9130	P99799130	6MM FLEXIBLE HOSE
9131	P99799131	6MM FLEXIBLE HOSE
9132	P99799132	6MM FLEXIBLE HOSE
9133	P99799133	6MM FLEXIBLE HOSE
9134	P99799134	6MM FLEXIBLE HOSE
9135	P99799135	6MM FLEXIBLE HOSE
9136	P99799136	6MM FLEXIBLE HOSE
9137	P99799137	6MM FLEXIBLE HOSE
9138	P99799138	6MM FLEXIBLE HOSE

