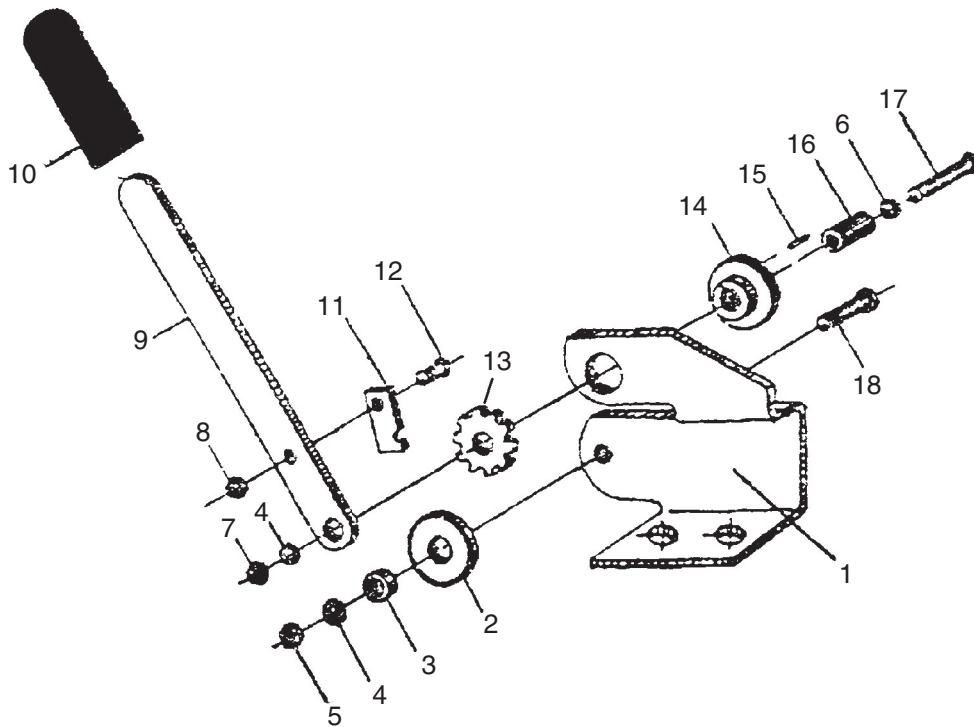


G9947 Parts Breakdown and List



REF	PART #	DESCRIPTION
1	P9947001	BASE
2	P9947002	CUTTING WHEEL
3	P9947003	SLEEVE
4	PW04M	FLAT WASHER 10MM
5	PN02M	HEX NUT M10-1.5
6	PW01M	FLAT WASHER 8MM
7	PN03M	HEX NUT M8-1.25
8	PN01M	HEX NUT M6-1
9	P9947009	HANDLE

REF	PART #	DESCRIPTION
10	P9947010	HANDLE SLEEVE
11	P9947011	PAWL
12	PS11M	PHLP HD SCR M6-1 X 16
13	P9947013	RATCHET
14	P9947014	DRIVE WHEEL
15	P9947015	PIN
16	P9947016	SLEEVE
17	PB15M	HEX BOLT M8-1.25 X 40
18	PB32M	HEX BOLT M10-1.5 x 25