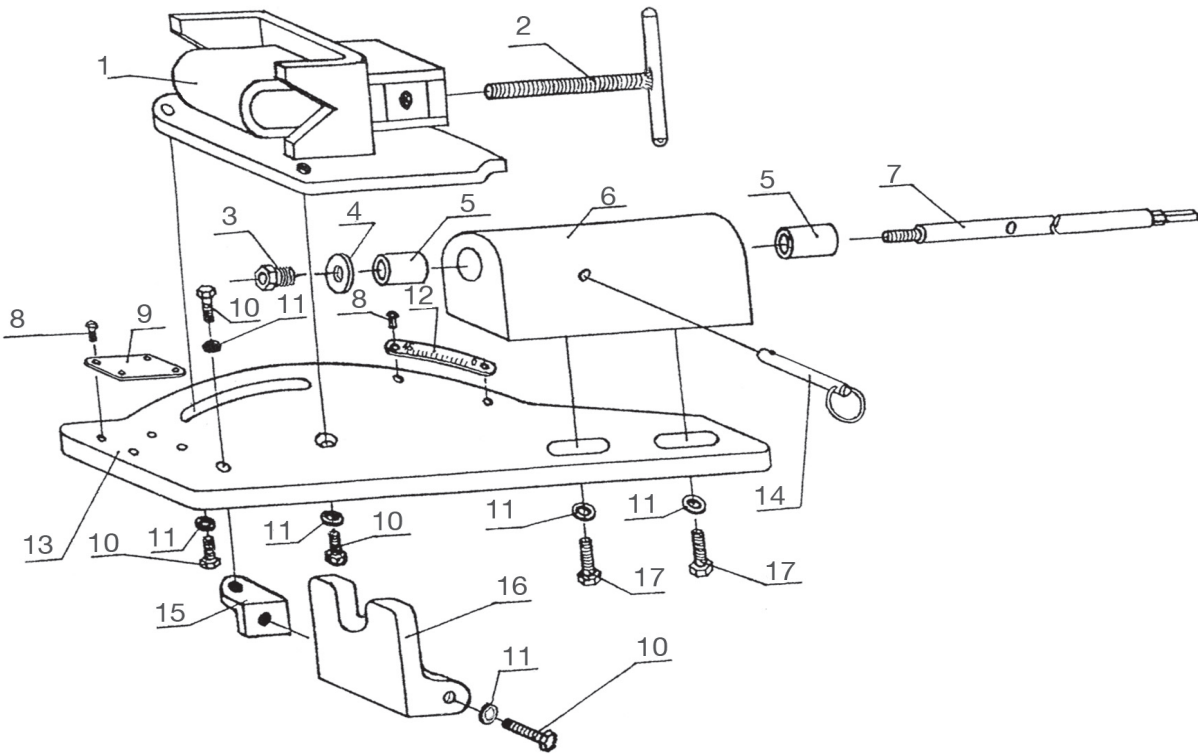


G8686 Parts Breakdown and List



| Ref # | Part # | Description |
|-------|----------|---------------------|
| 1 | G8686001 | CLAMP ASSEMBLY |
| 2 | G8686002 | HANDLE/CLAMP SCREW |
| 3 | G8686003 | 5/8" HOLESAW ADPT. |
| 4 | G8686004 | 5/8" HOLESAW WASHER |
| 5 | G8686005 | BUSHING |
| 6 | G8686006 | SPINDLE SUPPORT |
| 7 | G8686007 | SPINDLE |
| 8 | G8686008 | RIVET |
| 9 | G8686009 | LABEL |

| Ref # | Part # | Description |
|-------|----------|-----------------------|
| 10 | PB09M | HEX BOLT M8-1.25 X 20 |
| 11 | PW10M | WASHER M8 |
| 12 | G8686012 | ANGLE INDICATOR |
| 13 | G8686013 | BODY |
| 14 | G8686014 | LOCKING PIN |
| 15 | G8686015 | ADJ. PLATE |
| 16 | G8686016 | MOUNTING PLATE |
| 17 | PB07M | HEX BOLT M8-1.25 X 25 |