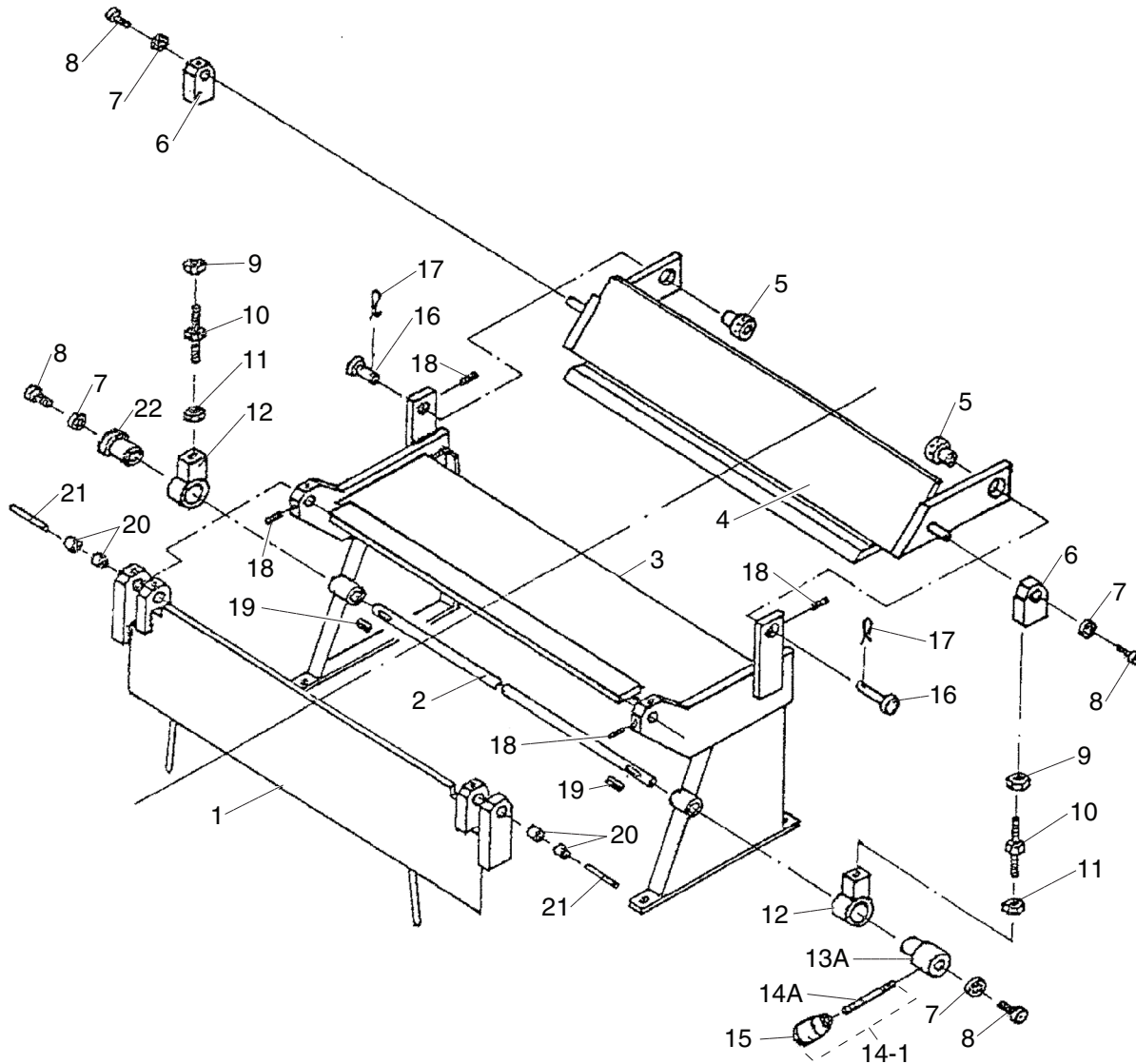


# SECTION 7: PARTS

## Parts Breakdown & List



REF	PART #	DESCRIPTION
1	P7147001	BENDING ASSEMBLY
2	P7147002	SHAFT
3	P7147003	BODY
4	P7147004	CLAMPING PLATE ASSEMBLY
5	P7147005	ECCENTRIC SHAFT
6	P7147006	CONNECTING BLOCK
7	PW03M	FLAT WASHER 6MM
8	PSB68M	CAP SCREW M6-1 X 8
9	PN02M	HEX NUT M10-1.5
10	P7147010	TURNBUCKLE M10-1.5
11	PN02M	HEX NUT M10-1.5
12	P7147012	BUSHING

REF	PART #	DESCRIPTION
13A	P7147013A	RIGHT ECCENTRIC SHAFT 11MM-1.75
14-1	P7147014-1	COMPLETE HANDLE ASSEMBLY
14A	P7147014A	HANDLE SHAFT 11MM-1.75
15	P7147015	HANDLE
16	P7147016	CLEVIS PIN 14 X 40
17	P7147017	COTTER PIN 2.5 X 35
18	PSB03M	CAP SCREW M5-.8 X 8
19	P7147019	FLAT KEY
20	P7147020	BUSHING
21	P7147021	SMALL SHAFT
22	P7147022	LEFT ECCENTRIC SHAFT

