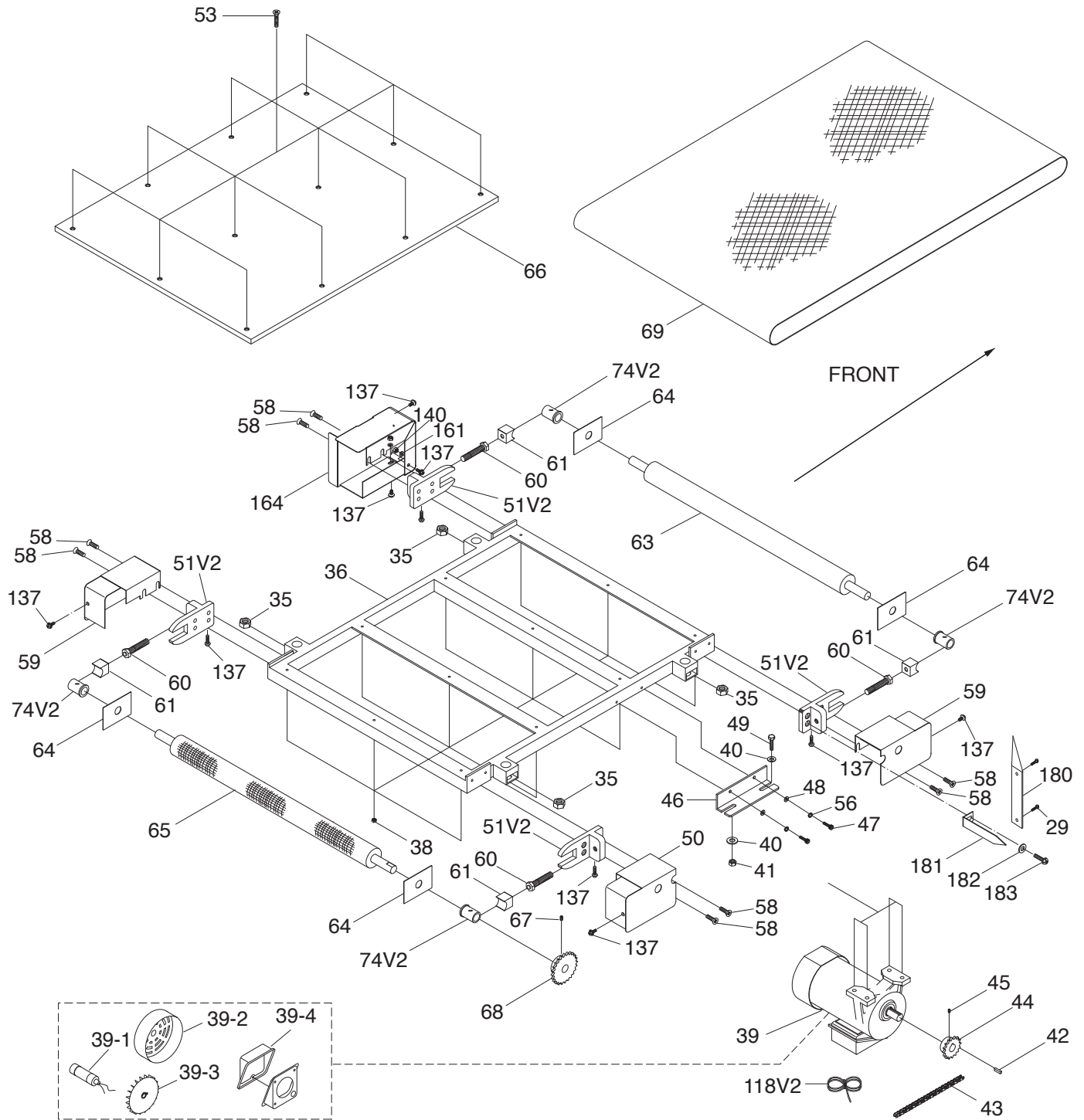
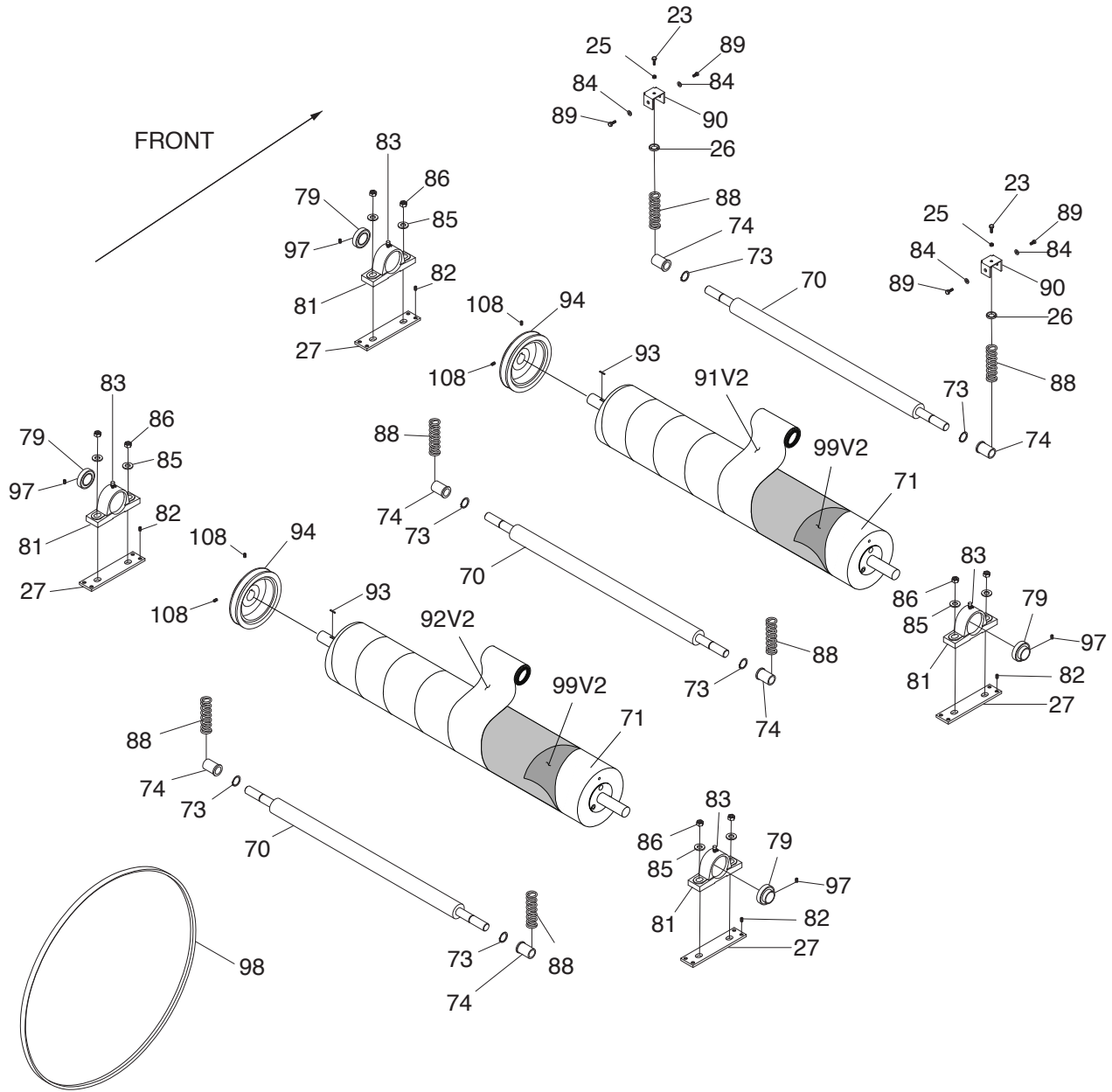




# G1079R Conveyor Belt & Table



# G1079R Drums & Rollers



# G1079R Parts List

REF	PART #	DESCRIPTION
1	P1079R001	FRAME
2	P1079R002	HEX NUT 3/8-16
3	P1079R003	FLAT WASHER 3/8
4	P1079R004	SIDE PANEL
5	P1079R005	BUSHING
6	P1079R006	SPROCKET
7	P1079R007	SPROCKET
7-1	P1079R007-1	SHAFT
8	P1079R008	TABLE SCREW 3/4-16
8-1V2	P1079R008-1V2	FLAT WASHER 13 X 26.5 X 2 V2.04.25
9	P1079R009	CHAIN
10	P1079R010	FRONT BRACE
11	P1079R011	SET SCREW 1/4-20 X 1/2
12	P1079R012	COMPLETE CRANK HANDLE ASSY
13	P1079R013	DUST PORT TOP
14V3	P1079R014V3	HOOD V3.03.24
15V2	P1079R015V2	REAR BRACE V2.02.11
16V2	P1079R016V2	REAR PANEL V2.02.11
17	P1079R017	SET SCREW 1/4-20 X 1/2
18	P1079R018	MOTOR PULLEY
19	P1079R019	KEY 1/4 X 1/4 X 3
20V2	P1079R020V2	DRUM MOTOR 2HP 220V 1-PH V2.03.24
20V2-1	P1079R020V2-1	DRUM MOTOR FAN COVER
20V2-2	P1079R020V2-2	DRUM MOTOR FAN
20V2-3	P1079R020V2-3	S CAPACITOR 400M 125V 1-3/4 X 3-3/8
20V2-4	P1079R020V2-4	DRUM MOTOR JUNCTION BOX
20V2-5	P1079R020V2-5	CENTRIFUGAL SWITCH
21	P1079R021	HEX NUT 3/8-16
22	P1079R022	HEX BOLT 3/8-16 X 3/4
23	P1079R023	HEX BOLT 1/4-20 X 3/4
24	P1079R024	FLAT WASHER 3/8
25	P1079R025	HEX NUT 1/4-20
26	P1079R026	SPRING PLATE
27	P1079R027	ADJUST PLATE
29	P1079R029	TAP SCREW #6 X 1/2
31V2	P1079R031V2	POWER CORD V2.02.09
32V2	P1079R032V2	FRONT PANEL V2.02.11
33V2	P1079R033V2	SINGLE PHASE ON/OFF SWITCH V2.02.11
34	P1079R034	HEX NUT 5/16-18
35	P1079R035	HEX NUT 3/4-16
36	P1079R036	TABLE FRAME
38	P1079R038	LOCK NUT 1/4-20
39	P1079R039	FEED MOTOR 1/4HP 220V 1-PH
39-1	P1079R039-1	R CAPACITOR 12M 350V 1-1/2 X 2
39-2	P1079R039-2	FEED MOTOR FAN COVER
39-3	P1079R039-3	FEED MOTOR FAN
39-4	P1079R039-4	FEED MOTOR JUNCTION BOX
40	P1079R040	FLAT WASHER 5/16
41	P1079R041	HEX NUT 5/16-18
42	P1079R042	KEY 5 X 5 X 20
43	P1079R043	CHAIN
44	P1079R044	SPROCKET
45	P1079R045	SET SCREW 1/4-20 X 1/2

REF	PART #	DESCRIPTION
47	P1079R047	CAP SCREW 1/4-20 X 3/4
48	P1079R048	FLAT WASHER 5/16
49	P1079R049	HEX BOLT 5/16-18 X 1
50	P1079R050	GUARD HINGED LEFT
51V2	P1079R051V2	ROLLER BRACKET V2.02.11
53	P1079R053	FLAT HD SCR 1/4-20 X 2-3/8
55	P1079R055	LATCH
56	P1079R056	LOCK WASHER 1/4
58	P1079R058	CAP SCREW 1/4-20 X 3/4
59	P1079R059	GUARD RIGHT
60	P1079R060	ROLLER BRACKET BOLT 1/2-13 X 70
61	P1079R061	BUSHING SUPPORT
63	P1079R063	IDLER ROLLER
64	P1079R064	PLATE
65	P1079R065	DRIVE ROLLER
66	P1079R066	TABLE
67	P1079R067	SET SCREW 1/4-20 X 1/2
68	P1079R068	SPROCKET
69	P1079R069	RUBBER CONVEYOR BELT
70	P1079R070	PRESSURE ROLLER
71	P1079R071	SANDING DRUM
73	P1079R073	EXT RETAINING RING 19MM
74	P1079R074	BUSHING
74V2	P1079R074V2	BUSHING V2.03.24
79	P1079R079	BEARING 204/20MM UCP 204
80	P1079R080	DUST PORT FRONT
81	P1079R081	BEARING BLOCK
82	P1079R082	SET SCREW 1/4-20 X 5/8
83	P1079R083	GREASE FITTING M6-1 X 5
84	P1079R084	FLAT WASHER 1/4
85	P1079R085	FLAT WASHER 3/8
86	P1079R086	LOCK NUT 3/8-16
87	P1079R087	FOAM STRIP 2 X 15 X 460MM
88	P1079R088	COMPRESSION SPRING
89	P1079R089	HEX BOLT M6-1 X 8
90	P1079R090	BRACKET
91V2	P1079R091V2	SANDING ROLL 3" x 50' A60 H&L
92V2	P1079R092V2	SANDING ROLL 3" x 50' A100 H&L
93	P1079R093	KEY 6 X 6 X 30
94	P1079R094	SANDING DRUM PULLEY
97	P1079R097	SET SCREW 3/8-16 X 1/2
98	P1079R098	V-BELT B60
99V2	P1079R099V2	HOOK-AND-LOOP BACKING
100	P1079R100	SWITCH BOX
101	P1079R101	STRIKE
104	P1079R104	CONTROL WIRE 1015 16G 130MM
105	P1079R105	OVERLOAD BUTTON MB-15A
108	P1079R108	SET SCREW 1/4-20 X 1/2
116V2	P1079R116V2	DUST SCOOP DEFLECTOR V2.03.24
117V2	P1079R117V2	MOTOR CORD 16G 3C 30" V2.02.11
118V2	P1079R118V2	FEED MOTOR CORD V2.02.09
137	P1079R137	FLANGE BOLT 10-24 X 3/8
139	P1079R139	TAP SCREW #8 X 1/2



# G1079R Parts List (Cont.)

REF	PART #	DESCRIPTION
149	P1079R149	HEX WRENCH 3MM
150	P1079R150	HINGE
151	P1079R151	HANDLE
152	P1079R152	LEFT SUPPORT ARM
153	P1079R153	RIGHT SUPPORT ARM
154	P1079R154	CAP SCREW 5/16-18 X 5/8
155	P1079R155	HEX NUT 5/16-18
156	P1079R156	PHLP HD SCR 2-32 X 1/2
157	P1079R157	HEX NUT 2-32
158	P1079R158	FRONT CHAIN COVER
159	P1079R159	REAR CHAIN COVER
160	P1079R160	PHLP HD SCR 10-24 X 3/8
161	P1079R161	FLAT WASHER #10
162	P1079R162	HEX NUT 10-24
163	P1079R163	PLATE
164	P1079R164	LEFT REAR ROLLER GUARD

REF	PART #	DESCRIPTION
165	P1079R165	PHLP HD SCR 10-24 X 1/2
166	P1079R166	HEX NUT 10-24
167	P1079R167	EXT TOOTH WASHER #10
168	P1079R168	STRAIN RELIEF 5/8" TYPE-1 SNAP-IN
174	P1079R174	STRAIN RELIEF M16 TYPE-6 ST
175	P1079R175	PADLOCK STORAGE HOOK
176	P1079R176	SWITCH PADLOCK
177	P1079R177	TAP SCREW #8 X 1/2
178	P1079R178	TAP SCREW #8 X 3/8
179	P1079R179	PHLP HD SCR 5-32 X 1/4
180	P1079R180	SCALE
181	P1079R181	POINTER
182	P1079R182	FLAT WASHER 1/4
183	P1079R183	PHLP HD SCR 1/4-20 X 3/8
184	P1079R184	TAP SCREW #8 X 5/8

