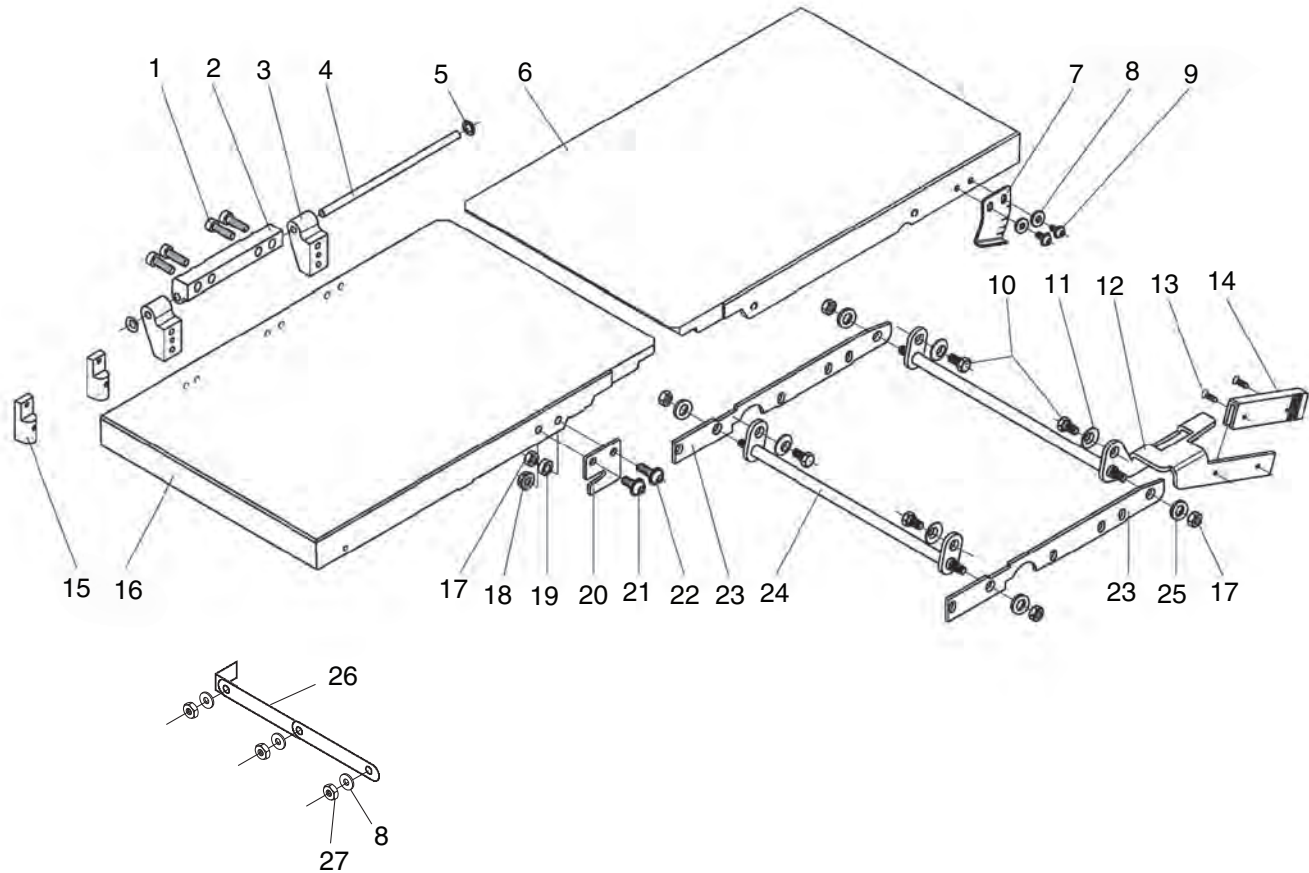


# SECTION 9: PARTS

## Table Breakdown

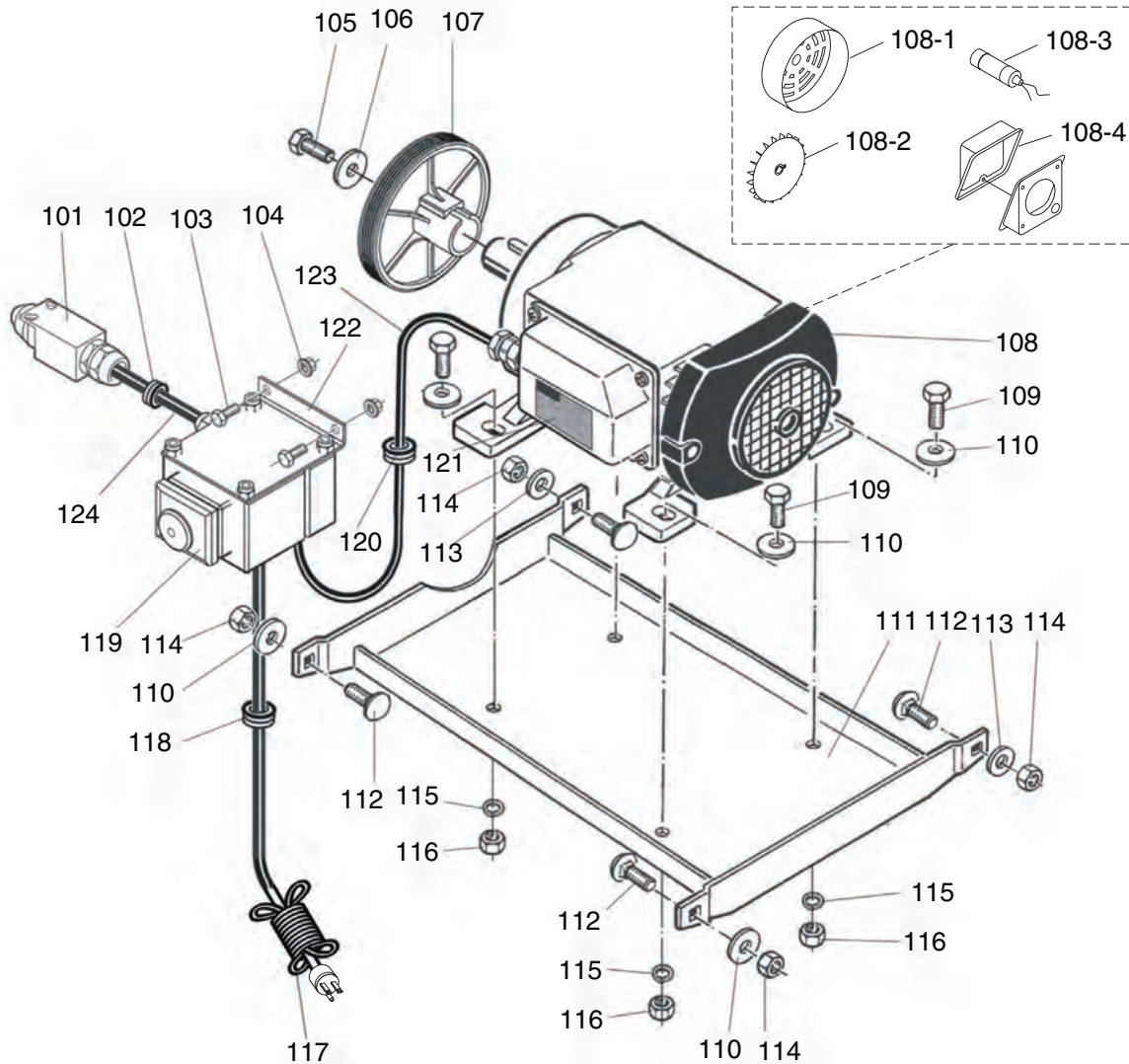


REF	PART #	DESCRIPTION
1	P0675001	CAP SCREW M8-1.25 X 30
2	P0675002	TABLE SUPPORT BLOCK
3	P0675003	TABLE SUPPORT BRACKET
4	P0675004	BRACKET PIVOT SHAFT
5	P0675005	RETAINING RING
6	P0675006	INFEED TABLE
7	P0675007	INFEED TABLE INDICATOR
8	P0675008	FLAT WASHER 6MM
9	P0675009	PHLP HD SCR M6-1 X 12
10	P0675010	SPECIAL BOLT M8-1.25 X 14
11	P0675011	LOCK WASHER 12MM
12	P0675012	INFEED TABLE LEVER
13	P0675013	CAP SCREW M5-.8 X 12
14	P0675014	HANDLE COAT

REF	PART #	DESCRIPTION
15	P0675015	SUPPORT BLOCK
16	P0675016	OUTFEED TABLE
17	P0675017	LOCK NUT M8-1.25
18	P0675018	FLANGE NUT M8-1.25
19	P0675019	POSITIONING WASHER
20	P0675020	TABLE LOCKING PLATE
21	P0675021	CAP SCREW M8-1.25 X 16
22	P0675022	CAP SCREW M8-1.25 X 25
23	P0675023	TABLE HEIGHT SUPPORTER
24	P0675024	TABLE HEIGHT CONNECTOR
25	P0675025	FLAT WASHER 8MM
26	P0675026	LOCK ARM
27	P0675027	LOCK NUT M6-1



# Motor Assembly Breakdown

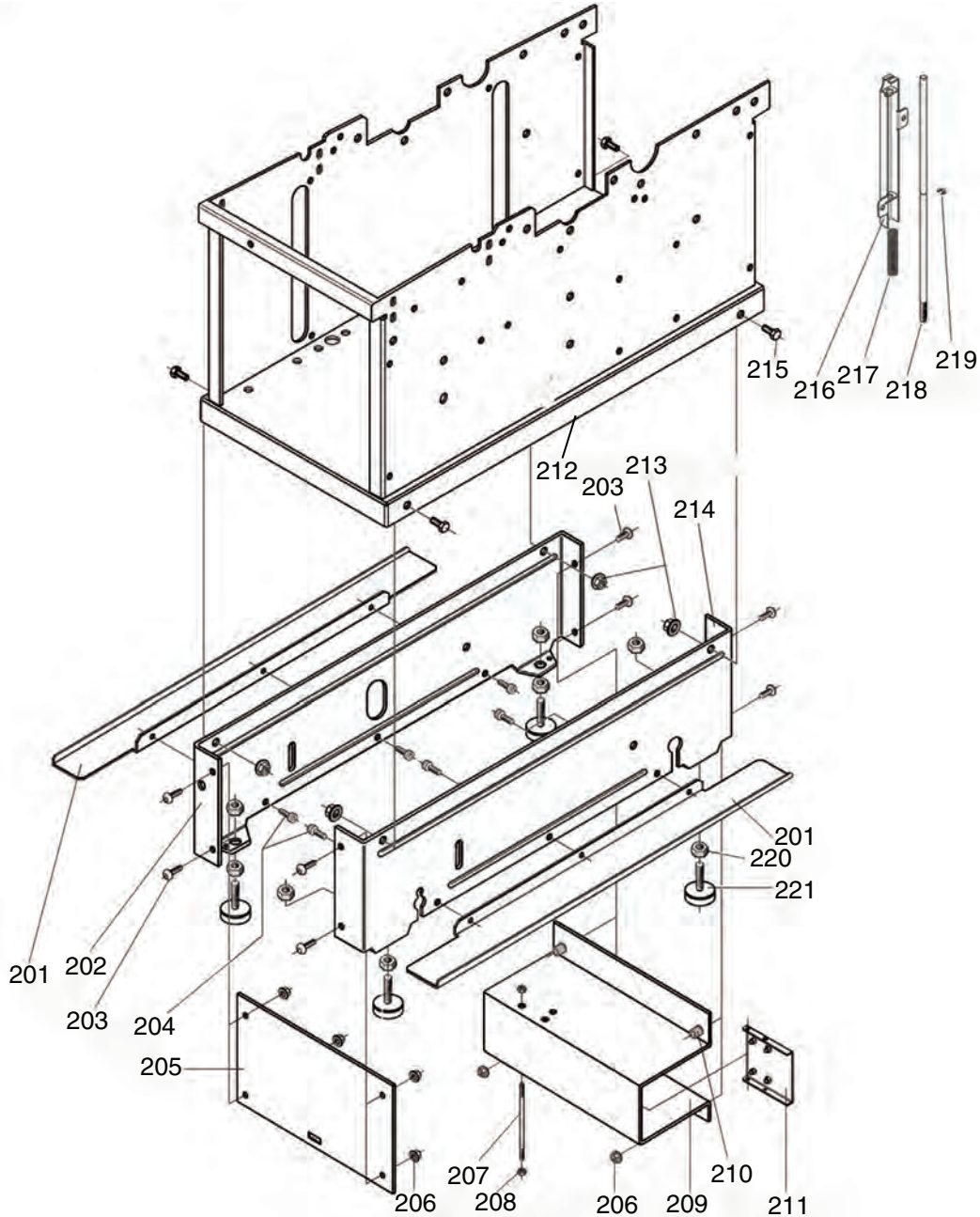


REF	PART #	DESCRIPTION
101	P0675101	CUTTERHEAD LIMIT SWITCH
102	P0675102	CABLE SAFETY RING
103	P0675103	HEX BOLT M6-1 X 12
104	P0675104	FLANGE NUT M6-1
105	P0675105	HEX BOLT M8-1.25 X 25
106	P0675106	SPECIAL WASHER 8MM
107	P0675107	MOTOR WHEEL
108	P0675108	MOTOR 2.4HP 220V SINGLE-PHASE
108-1	P0675108-1	MOTOR FAN COVER
108-2	P0675108-2	MOTOR FAN
108-3	P0675108-3	S CAPACITOR 35M 450V 1-3/4 x 3-3/4
108-4	P0675108-4	JUNCTION BOX
109	P0675109	HEX BOLT M6-1 X 25
110	P0675110	FLAT WASHER 8MM

REF	PART #	DESCRIPTION
111	P0675111	MOTOR BRACKET
112	P0675112	CARRIAGE BOLT M8-1.25 X 16
113	P0675113	FLAT WASHER 8MM
114	P0675114	LOCK NUT M8-1.25
115	P0675115	LOCK WASHER 8MM
116	P0675116	HEX NUT M8-1.25
117	P0675117	POWER CORD 14AWG X 3C
118	P0675118	RUBBER SAFETY RING
119	P0675119	SWITCH ASSEMBLY
120	P0675120	RUBBER SAFETY RING
121	P0675121	MOTOR LABEL
122	P0675122	SWITCH BRACKET
123	P0675123	MOTOR CORD
124	P0675124	LIMIT SWITCH CORD



# Frame Breakdown

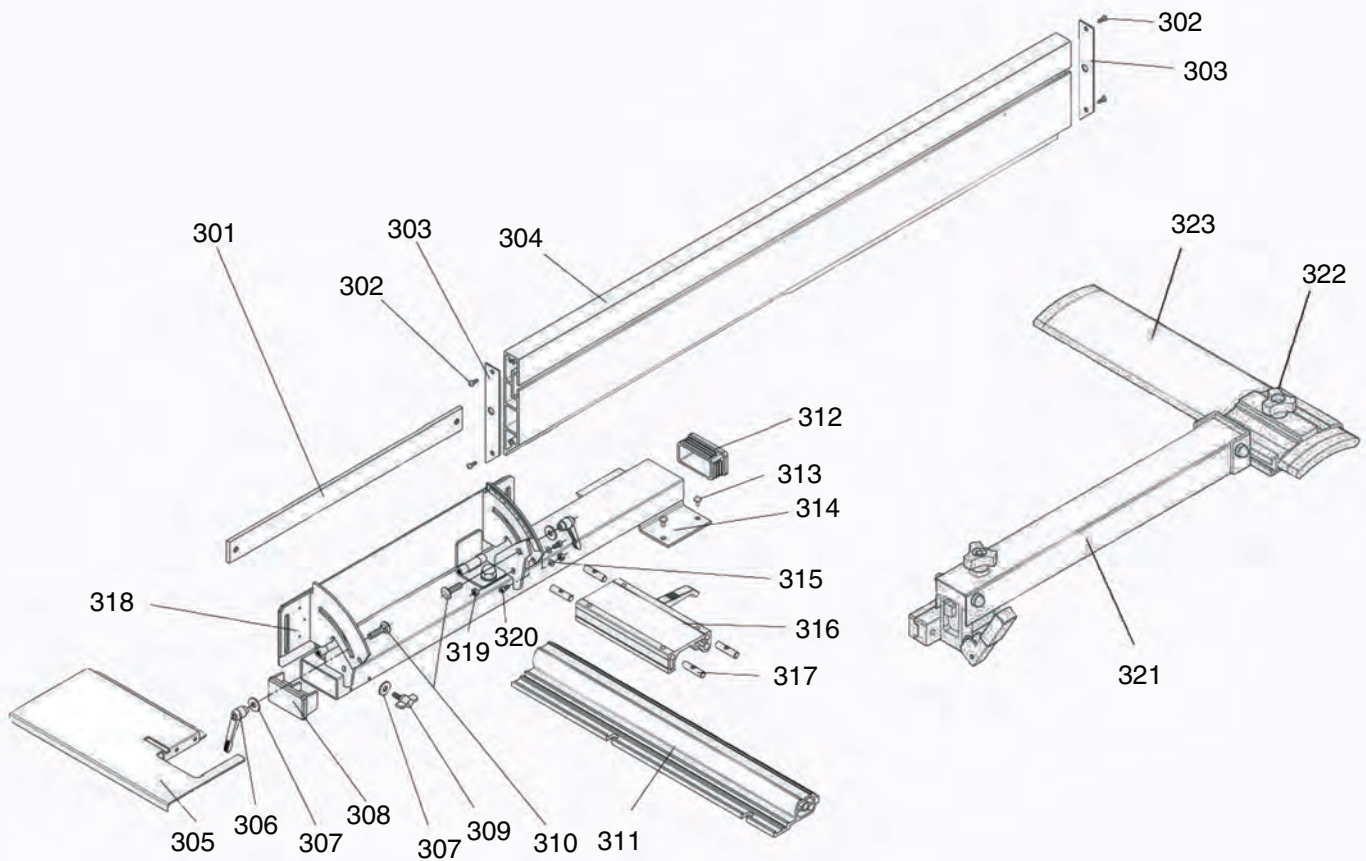


REF	PART #	DESCRIPTION
201	P0675201	OUTSIDE BASE PLATE
202	P0675202	REAR BASE PLATE
203	P0675203	BUTTON HD CAP SCR M6-1 X 12
204	P0675204	CAP SCREW M6-1 X 16
205	P0675205	MOTOR CASE PLATE
206	P0675206	LOCK NUT M6-1
207	P0675207	PIVOT SHAFT
208	P0675208	LOCK NUT M6-1
209	P0675209	CASE PLATE
210	P0675210	RIVET NUT M6-1 X 15
211	P0675211	PLATE

REF	PART #	DESCRIPTION
212	P0675212	FRAME
213	P0675213	FLANGE NUT M8-1.25
214	P0675214	FRONT BASE PLATE
215	P0675215	HEX BOLT M8-1.25 X 16
216	P0675216	GUIDE BODY
217	P0675217	COMPRESSION SPRING
218	P0675218	SAFETY SWITCH ROD
219	P0675219	E-CLIP 5MM
220	P0675220	HEX NUT M10-1.5
221	P0675221	FOOT SUPPORT M10-1.5



# Fence Assembly Breakdown

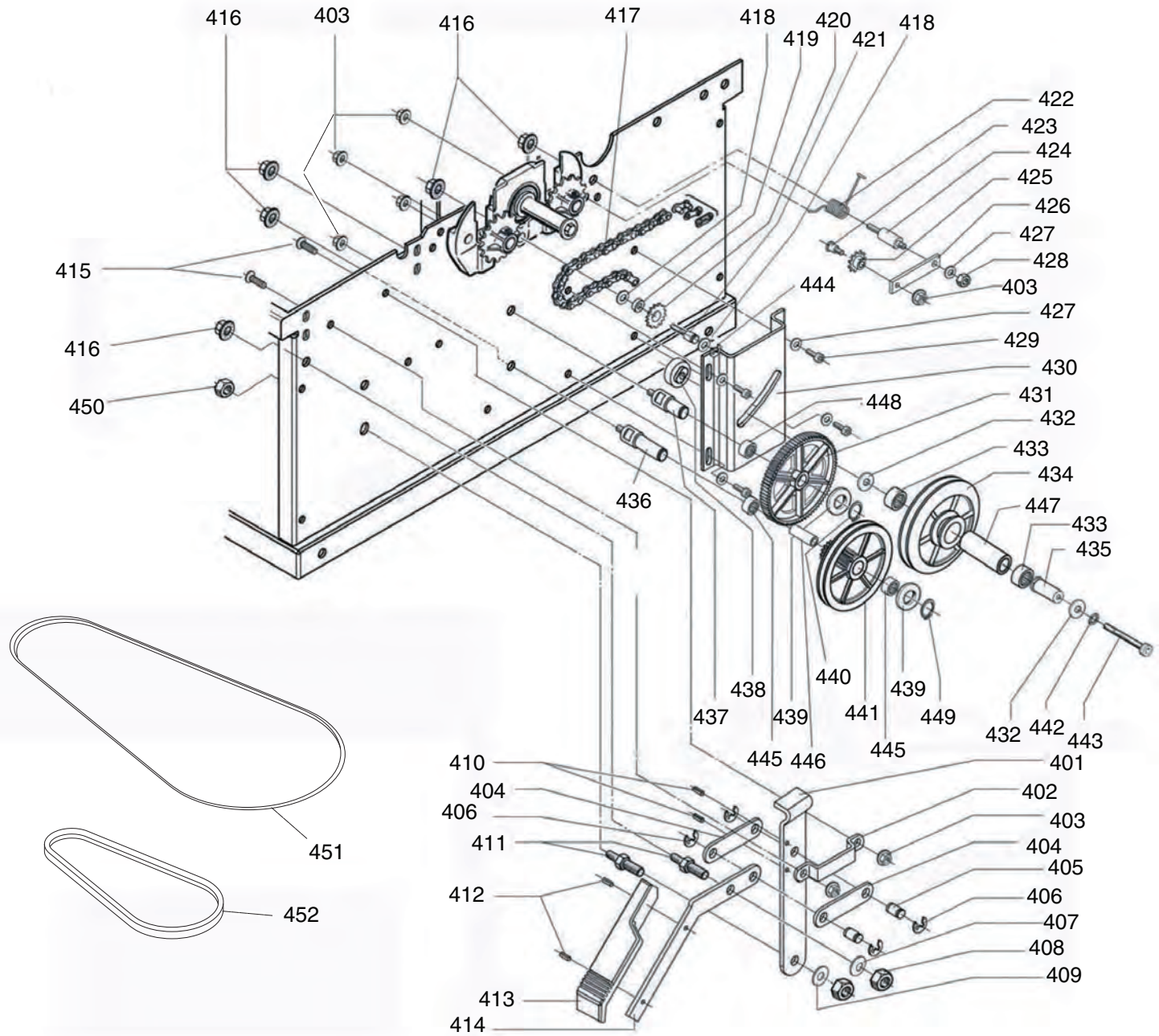


REF	PART #	DESCRIPTION
301	P0675301	LOCKING INSERT PLATE
302	P0675302	TAP SCREW M4.8 X 12
303	P0675303	FENCE COVER
304	P0675304	FENCE
305	P0675305	GUARD PLATE
306	P0675306	TILT LEVER
307	P0675307	FLAT WASHER 6MM
308	P0675308	END PLUG
309	P0675309	WING SCREW M6-1
310	P0675310	CARRIAGE BOLT M6-1 X 16
311	P0675311	RIP FENCE RAIL
312	P0675312	END PLUG

REF	PART #	DESCRIPTION
313	P0675313	HEX BOLT M5-.8 X 12
314	P0675314	RIP FENCE BRACKET
315	P0675315	FLAT WASHER 4MM
316	P0675316	HANDLE BRACKET
317	P0675317	ALIGNMENT SHAFT
318	P0675318	FENCE TILTING BRACKET
319	P0675319	HEX NUT M4-.7
320	P0675320	CAP SCREW M4-.7 X 8
321	P0675321	BLADE GUARD BRACKET
322	P0675322	LOCK HANDLE M8-1.25 X 16
323	P0675323	BLADE GUARD COVER



# Feed Gear Assembly Breakdown



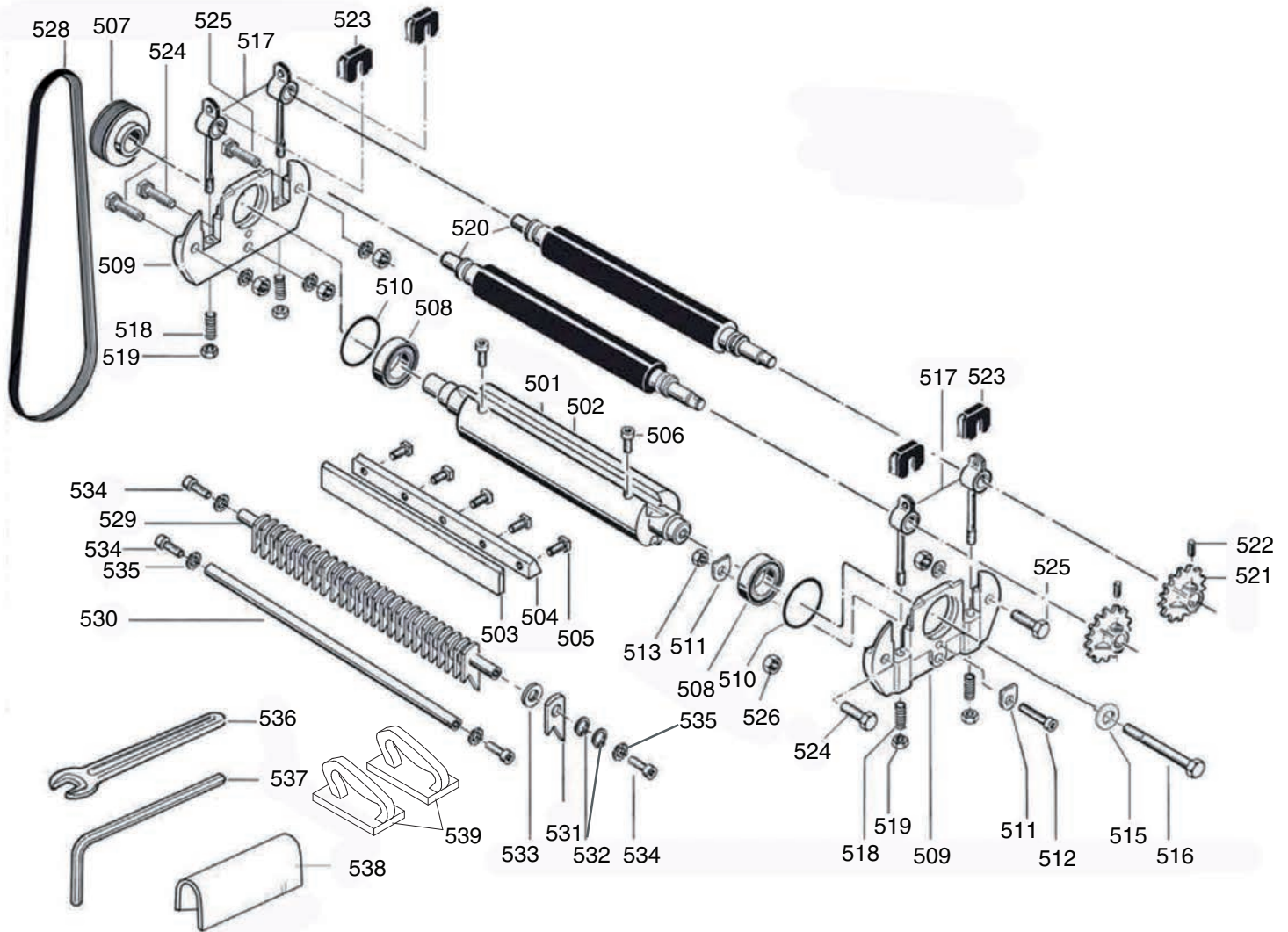
# Feed Gear Assembly Parts List

REF	PART #	DESCRIPTION
401	P0675401	LOCKING PLATE
402	P0675402	POSITIONING PLATE
403	P0675403	FLANGE NUT M8-1.25
404	P0675404	LOCKING CONNECTING PLATE
405	P0675405	ROTATING SHAFT
406	P0675406	E-CLIP 8MM
407	P0675407	LOCK WASHER 10MM
408	P0675408	LOCK NUT M10-1.5
409	P0675409	FLAT WASHER 10MM
410	P0675410	ROLL PIN 4 X 10
411	P0675411	SUPPORT SCREW
412	P0675412	ROLL PIN 4 X 10
413	P0675413	LOCK HANDLE
414	P0675414	LOCK HANDLE SUPPORT
415	P0675415	FLAT HD SCR M6-1 X 12
416	P0675416	FLANGE NUT M8-1.25
417	P0675417	CHAIN
418	P0675418	FLAT WASHER 10MM
419	P0675419	NEEDLE BEARING 10 X 12 X 17
420	P0675420	TENSION SPROCKET
421	P0675421	POSITIONING SHAFT
422	P0675422	TORSION SPRING
423	P0675423	TENSION SHAFT
424	P0675424	SHAFT
425	P0675425	TENSION SPROCKET
426	P0675426	TENSION BRACKET

REF	PART #	DESCRIPTION
427	P0675427	FLAT WASHER 6MM
428	P0675428	LOCK NUT M6-1
429	P0675429	CAP SCREW M6-1 X 20
430	P0675430	WHEEL BRACKET
431	P0675431	SPROCKET WHEEL ASSEMBLY
432	P0675432	SPECIAL WASHER 8MM
433	P0675433	NEEDLE BEARING 14 X 12 X 20
434	P0675434	INFEEED BELT WHEEL
435	P0675435	TUBE
436	P0675436	WHEEL SHAFT
437	P0675437	WHEEL SHAFT
438	P0675438	SLIDING BLOCK
439	P0675439	FLAT WASHER 16MM
440	P0675440	EXT RETAINING RING 16MM
441	P0675441	TOOTHED BELT WHEEL
442	P0675442	LOCK WASHER 8MM
443	P0675443	CAP SCREW M8-1.25 X 70
444	P0675444	E-CLIP 8MM
445	P0675445	NEEDLE BEARING 12 X 10 X 16
446	P0675446	TUBE
447	P0675447	TUBE
448	P0675448	NEEDLE BEARING 16 X 16 X 22
449	P0675449	EXT RETAINING RING 12MM
450	P0675450	LOCK NUT M8-1.25
451	P0675451	FLAT BELT 5/16" X 1/16" X 29"
452	P0675452	V-BELT K-20 5/16" X 1/4"



# Cutterhead-Feed Rollers Breakdown

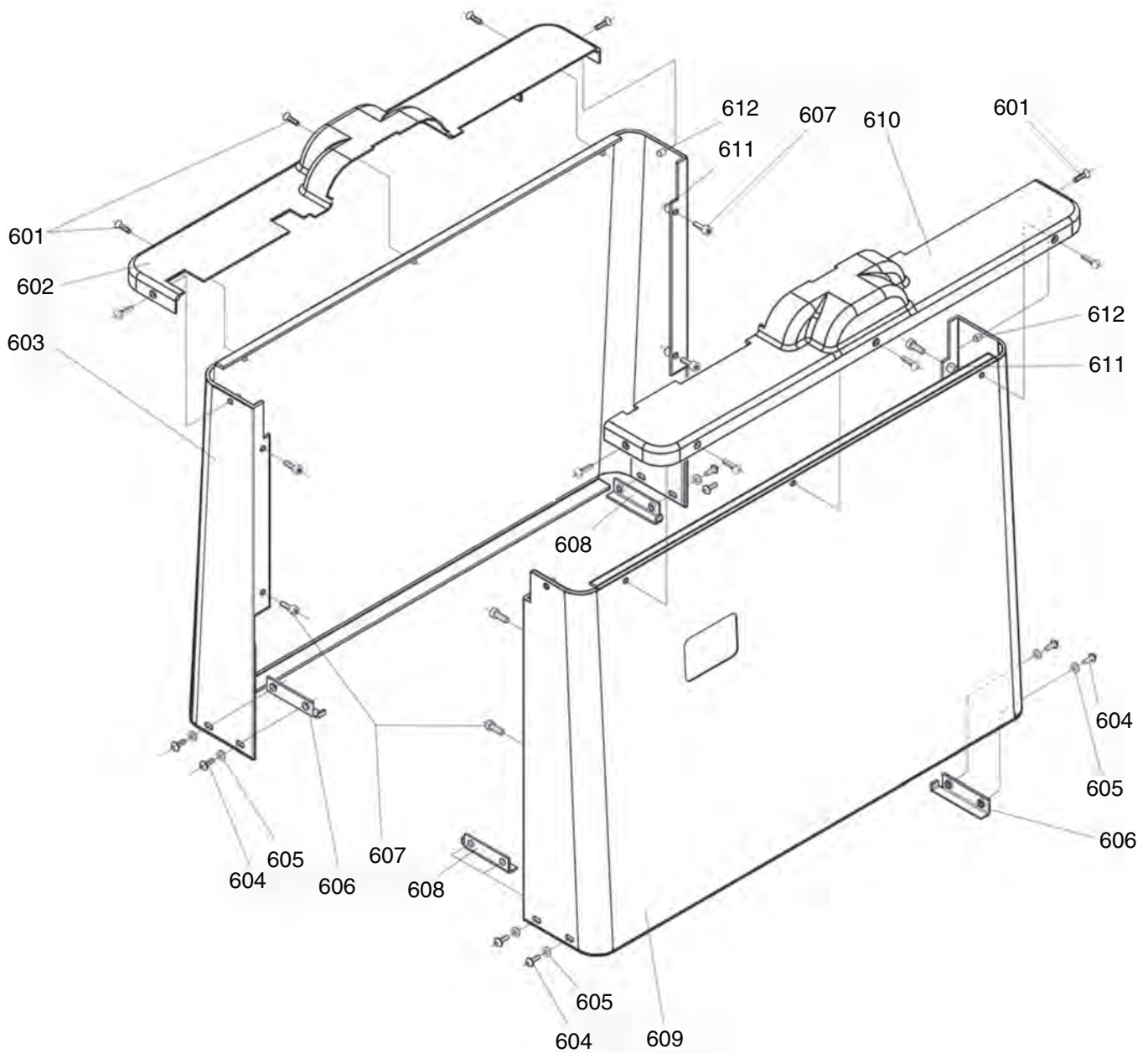


REF	PART #	DESCRIPTION
501	P0675501	CUTTERHEAD WITH KNIVES
502	P0675502	CUTTERHEAD
503	P0675503	KNIFE
504	P0675504	KNIFE GIB
505	P0675505	KNIFE GIB SCREW
506	P0675506	JACK SCREW
507	P0675507	CUTTERHEAD PULLEY
508	P0675508	BALL BEARING 6005ZZ
509	P0675509	CUTTERBLOCK BRACKET
510	P0675510	O- RING
511	P0675511	BEARING CLAMP
512	P0675512	CAP SCREW M6-1 X 25
513	P0675513	FLANGE NUT M6-1
515	P0675515	FLAT WASHER 8MM
516	P0675516	HEX BOLT M8-1.25 X 16
517	P0675517	CLAMPING HOOP
518	P0675518	COMPRESSION SPRING
519	P0675519	LOCK NUT M6-1
520	P0675520	FEED ROLLER

REF	PART #	DESCRIPTION
521	P0675521	SPROCKET WHEEL
522	P0675522	ROLL PIN 4 X 25
523	P0675523	HOOP COVER
524	P0675524	HEX BOLT M8-1.25 X 25
525	P0675525	HEX BOLT M8-1.25 X 30
526	P0675526	FLANGE NUT M8-1.25
528	P0675528	RIBBED V-BELT 1000J4
529	P0675529	ANTI-KICKBACK SHAFT
530	P0675530	POSITIONING SHAFT
531	P0675531	ANTI-KICKBACK FINGER
532	P0675532	EXT RETAINING RING 8MM
533	P0675533	FLAT WASHER 10MM
534	P0675534	CAP SCREW M6-1 X 16
535	P0675535	EXT TOOTH WASHER 6MM
536	P0675536	WRENCH 8/10
537	P0675537	HEX WRENCH 5MM
538	P0675538	KNIFE SETTING GAUGE
539	P0675539	PUSH BLOCKS



# Access Panels Breakdown

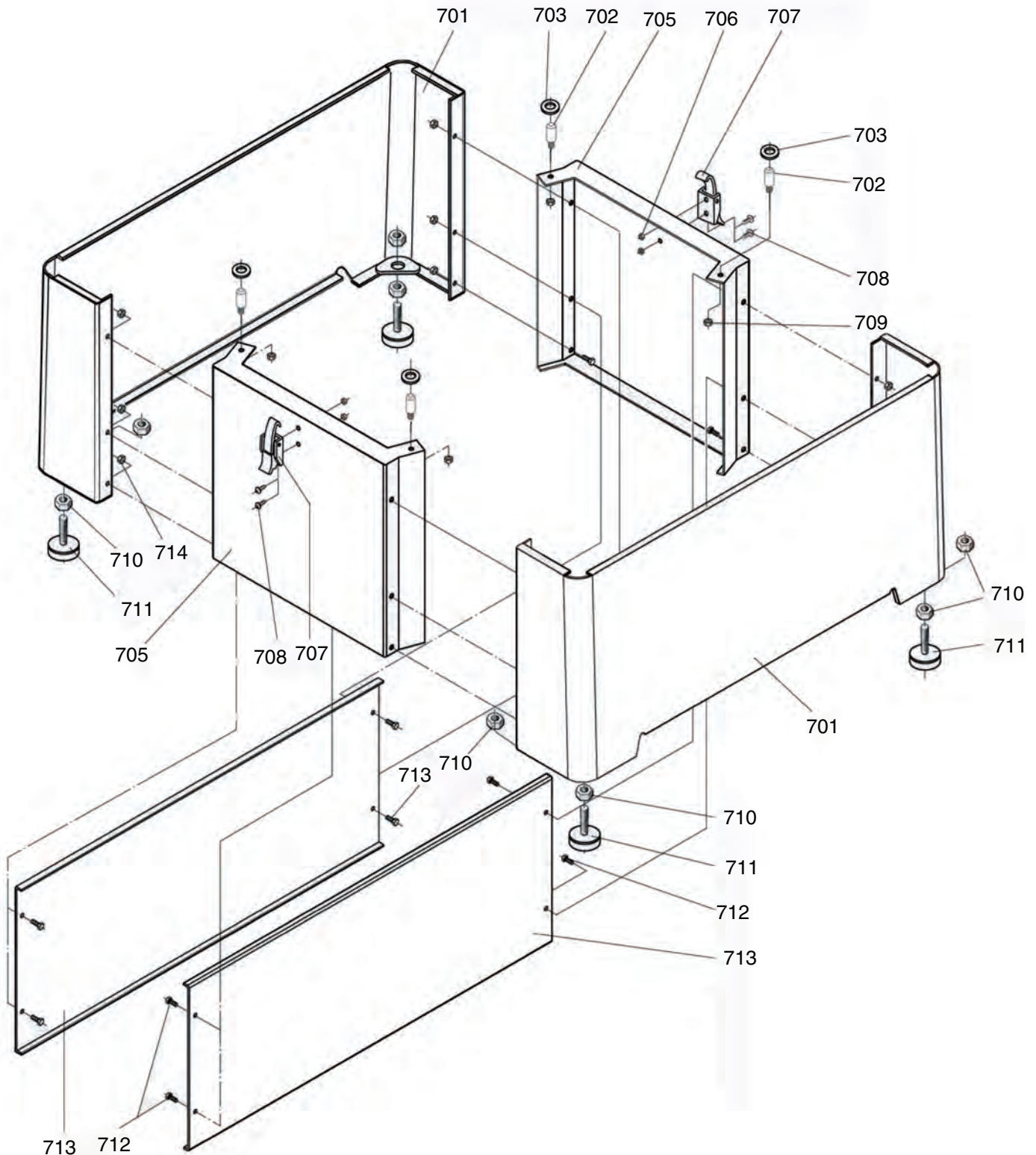


REF	PART #	DESCRIPTION
601	P0675601	PHLP HD SCR M5-.8 X 16
602	P0675602	RIGHT UPPER COVER
603	P0675603	RIGHT ACCESS PANEL
604	P0675604	BUTTON HD CAP SCR M6-1 X 10
605	P0675605	FLAT WASHER 6MM
606	P0675606	COVER BRACKET

REF	PART #	DESCRIPTION
607	P0675607	CAP SCREW M6-1 X 16
608	P0675608	COVER BRACKET
609	P0675609	LEFT ACCESS PANEL
610	P0675610	LEFT UPPER COVER
611	P0675611	RIVET NUT M6-1 X 15
612	P0675612	FLAT HEAD RIVET NUT M5-.8 X 13



# Base Breakdown

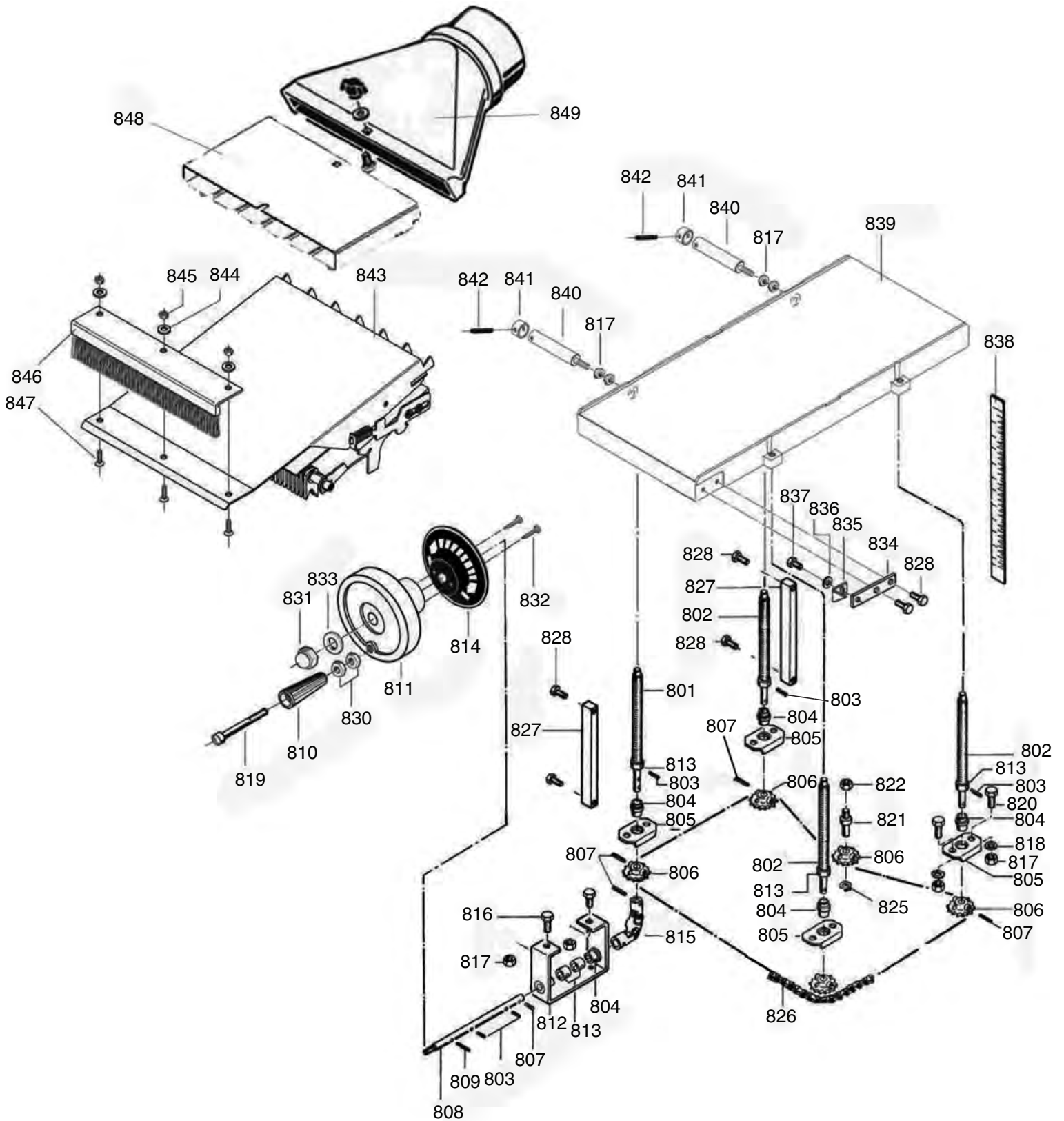


REF	PART #	DESCRIPTION
701	P0675701	BASE SIDE PANEL
702	P0675702	SPECIAL SCREW M6-1
703	P0675703	RUBBER WASHER 6MM
705	P0675705	BASE PANEL
706	P0675706	LOCK NUT M5-.8
707	P0675707	CLAMPING HOOK
708	P0675708	PHLP HD SCR M5-.8 X 10

REF	PART #	DESCRIPTION
709	P0675709	LOCK NUT M6-1
710	P0675710	HEX NUT M10-1.5
711	P0675711	FOOT M10-1.5
712	P0675712	HEX BOLT M6-1 X 16
713	P0675713	BASE SUPPORT PANEL
714	P0675714	HEX NUT M6-1



# Planer Table Breakdown

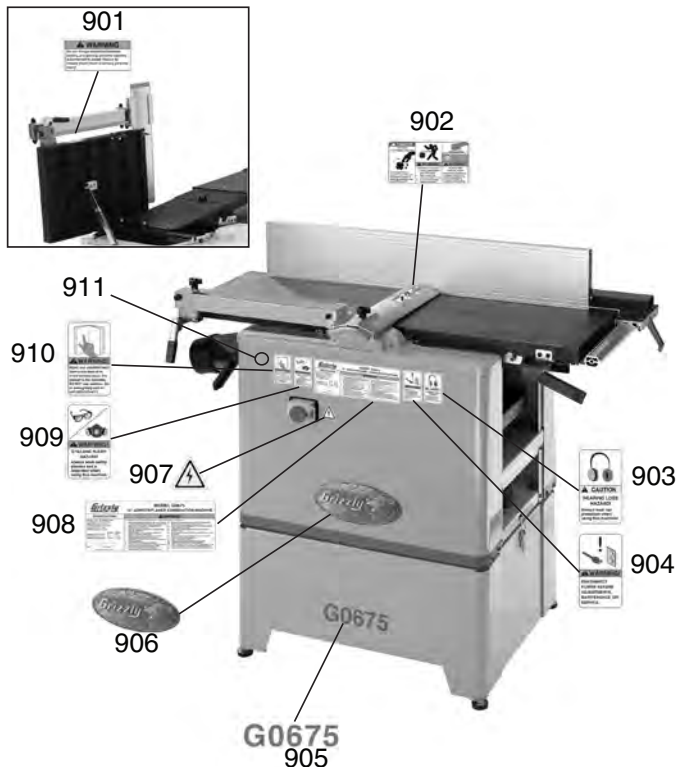


# Planer Table Parts List

REF	PART #	DESCRIPTION
801	P0675801	ELEVATION LEADSCREW RL
802	P0675802	ELEVATION LEADSCREW
803	P0675803	ROLL PIN 4 X 6
804	P0675804	COPPER TUBE
805	P0675805	SUPPORT BRACKET
806	P0675806	LEADSCREW SPROCKET
807	P0675807	ROLL PIN 4 X 18
808	P0675808	HANDWHEEL SHAFT
809	P0675809	ROLL PIN 4 X 20
810	P0675810	PLASTIC HANDLE
811	P0675811	HANDWHEEL
812	P0675812	SADDLE BRACKET
813	P0675813	THREAD ROD TUBE
814	P0675814	HANDWHEEL SCALE
815	P0675815	LINKAGE
816	P0675816	HEX BOLT M8-1.25 X 16
817	P0675817	FLANGE NUT M8-1.25
818	P0675818	FLAT WASHER 8MM
819	P0675819	HANDLE BOLT M10 X 1.5 X 98
820	P0675820	HEX BOLT M8-1.25 X 16
821	P0675821	ADJUSTING ROD
822	P0675822	LOCK NUT M8-1.25
825	P0675825	E-CLIP 10MM

REF	PART #	DESCRIPTION
826	P0675826	TABLE ELEVATION CHAIN
827	P0675827	PLANER TABLE GUIDE BLOCK
828	P0675828	HEX BOLT M6-1 X 16
830	P0675830	HEX NUT M10-1.5
831	P0675831	ACORN NUT M10-1.5
832	P0675832	TAP SCREW M3.5 X 13
833	P0675833	FLAT WASHER 10MM
834	P0675834	INDICATOR BRACKET
835	P0675835	DEPTH SCALE INDICATOR
836	P0675836	FLAT WASHER 6MM
837	P0675837	HEX BOLT M6-1 X 10
838	P0675838	DEPTH SCALE
839	P0675839	THICKNESSING TABLE
840	P0675840	GUIDE AXLE
841	P0675841	BUSHING
842	P0675842	SPIRAL SPRING DOWEL SLEEVE
843	P0675843	DUST COLLECTOR ASSEMBLY
844	P0675844	FLAT WASHER 6MM
845	P0675845	LOCK NUT M6-1
846	P0675846	BRUSH ASSEMBLY
847	P0675847	FLAT HD SCR M6-1 X 14
848	P0675848	DUST PORT BRACKET
849	P0675849	DUST PORT

# Labels and Cosmetic Parts



REF	PART #	DESCRIPTION
901	P0675901	CHANGING OPERATIONS LABEL
902	P0675902	CUTTERHEAD GUARD LABEL
903	P0675903	EAR PROTECTION LABEL
904	P0675904	DISCONNECT POWER LABEL
905	P0675905	MODEL NUMBER LABEL
906	P0675906	GRIZZLY NAMEPLATE-LARGE
907	P0675907	ELECTRICITY LABEL
908	P0675908	MACHINE ID LABEL
909	P0675909	GLASSES/RESPIRATOR LABEL
910	P0675910	READ MANUAL LABEL
911	P0675911	POLAR BEAR WHITE TOUCH-UP PAINT

**⚠ WARNING**

Safety labels warn about machine hazards and ways to prevent injury. The owner of this machine **MUST** maintain the original location and readability of the labels on the machine. If any label is removed or becomes unreadable, **REPLACE** that label before using the machine again. Contact Grizzly at (800) 523-4777 or [www.grizzly.com](http://www.grizzly.com) to order new labels.

