

READ THIS FIRST

Grizzly
Industrial, Inc.®

Model G0674

*****IMPORTANT UPDATE*****

For Machines Mfd. Since February, 2013
and Owner's Manual Printed November, 2008.

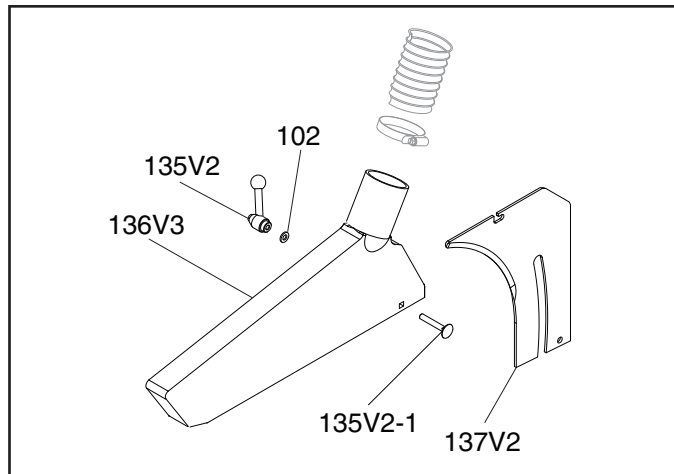
For questions or help with this product contact Tech Support at (570) 546-9663 or techsupport@grizzly.com

The following changes were recently made to this machine since the owner's manual was printed:

- New blade guard, riving knife, and components.

Aside from this information, all other content in the owner's manual applies and **MUST** be read and understood for your own safety. **IMPORTANT: Keep this update with the owner's manual for future reference.**

For questions or help, contact our Tech Support at (570) 546-9663 or techsupport@grizzly.com.

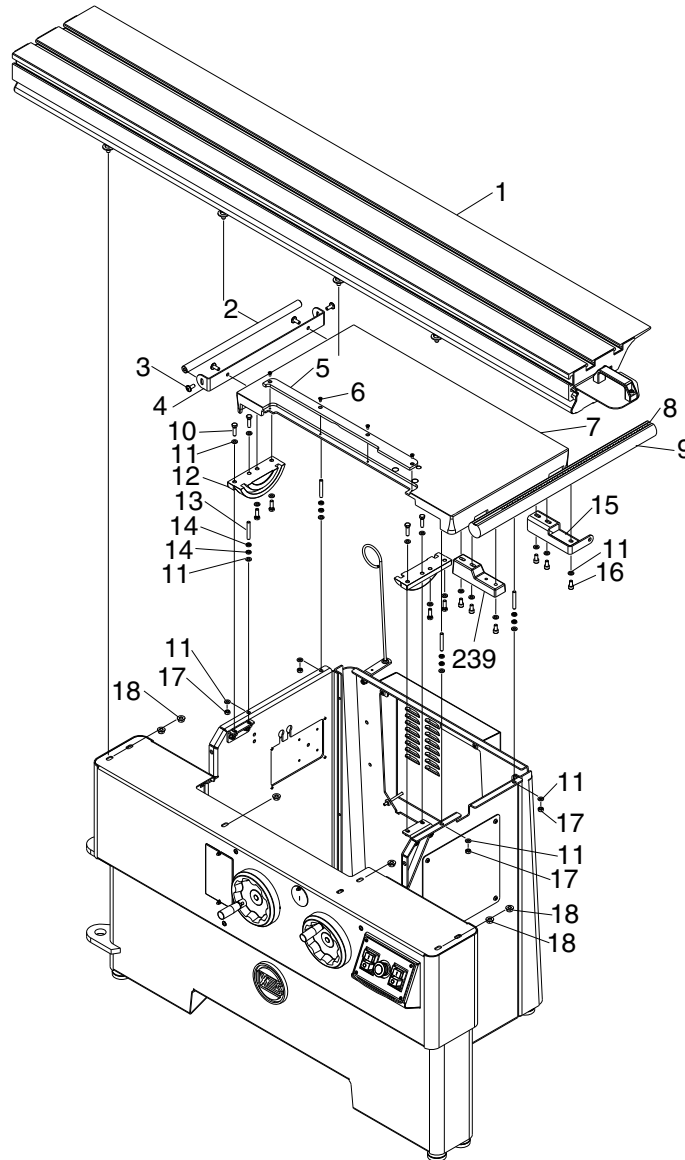


| REF | PART # | DESCRIPTION |
|---------|--------------|---------------------------------|
| 102 | P0674102 | FLAT WASHER 6MM |
| 135V2 | P0674135V2 | ADJUSTABLE HANDLE M6-1 V2.02.13 |
| 135V2-1 | P0674135V2-1 | CARRIAGE BOLT M6-1 X 40 |
| 136V3 | P0674136V3 | BLADE GUARD STRAIGHT V3.02.13 |
| 137V2 | P0674137V2 | RIVING KNIFE V2.02.13 |

COPYRIGHT © DECEMBER, 2014 BY GRIZZLY INDUSTRIAL, INC.
**WARNING: NO PORTION OF THIS MANUAL MAY BE REPRODUCED IN ANY SHAPE
OR FORM WITHOUT THE WRITTEN APPROVAL OF GRIZZLY INDUSTRIAL, INC.**
#AW17066 PRINTED IN GERMANY

SECTION 9: PARTS

Tables Breakdown

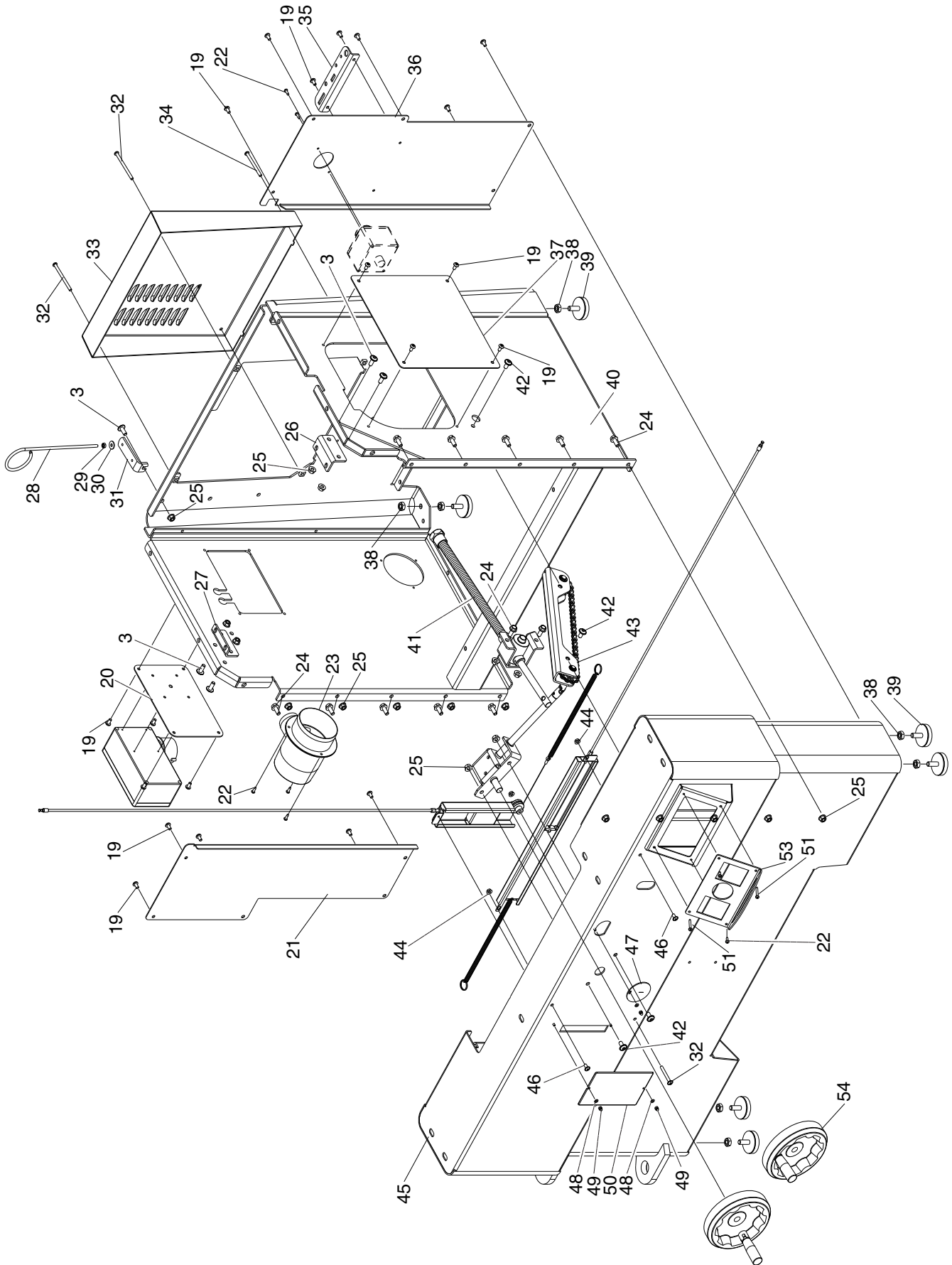


| REF | PART # | DESCRIPTION |
|-----|----------|--------------------------------|
| 1 | P0674001 | SLIDING TABLE ASSY 3200MM |
| 2 | P0674002 | HINGE ROD |
| 3 | PBHS22M | BUTTON HD CAP SCR M8-1.25 X 20 |
| 4 | P0674004 | HINGE CLAMP |
| 5 | P0674005 | TABLE INSERT |
| 6 | PFH07M | FLAT HD SCR M5-.8 X 10 |
| 7 | P0674007 | MAIN TABLE |
| 8 | P0674008 | SCALE |
| 9 | P0674009 | RIP FENCE RAIL |
| 10 | PB26M | HEX BOLT M8-1.25 X 30 |

| REF | PART # | DESCRIPTION |
|-----|----------|------------------------|
| 11 | PW01M | FLAT WASHER 8MM |
| 12 | P0674012 | TRUNNION |
| 13 | PSS102M | SET SCREW M8-1.25 X 55 |
| 14 | PN03M | HEX NUT M8-1.25 |
| 15 | P0674015 | RAIL SUPPORT RH |
| 16 | PCAP11M | CAP SCREW M8-1.25 X 16 |
| 17 | PN03M | HEX NUT M8-1.25 |
| 18 | P0674018 | T-NUT M10-1.5 |
| 239 | P0674239 | RAIL SUPPORT LH |



Cabinet Breakdown



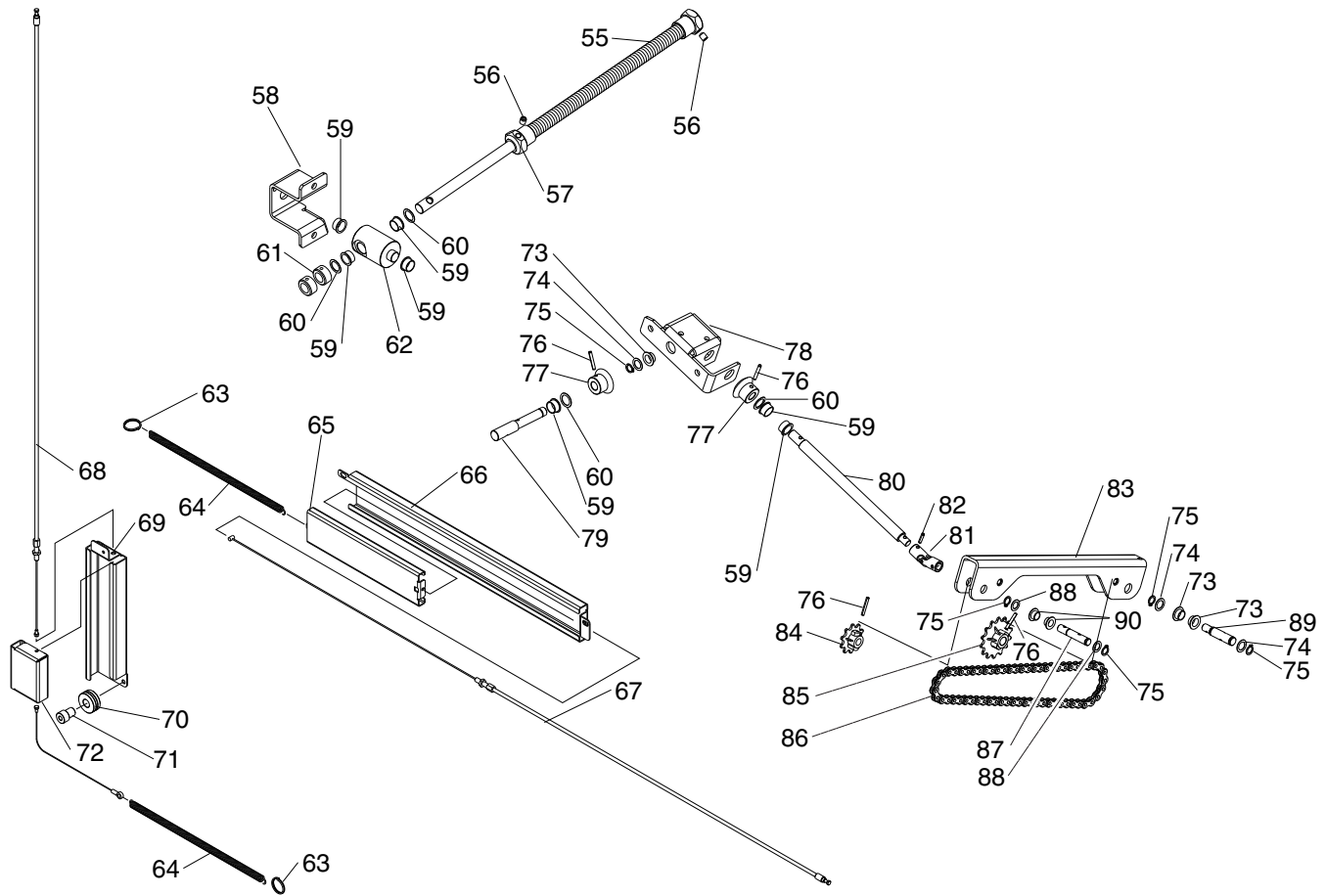
Cabinet Parts List

| REF | PART # | DESCRIPTION |
|-----|----------|--------------------------------|
| 3 | PBHS22M | BUTTON HD CAP SCR M8-1.25 X 20 |
| 19 | PS14M | PHLP HD SCR M6-1 X 12 |
| 20 | P0674020 | SWITCH MOUNTING PLATE |
| 21 | P0674021 | REAR STAND COVER LH |
| 22 | PBHS26M | BUTTON HD CAP SCR M4-.7 X 12 |
| 23 | P0674023 | DUST PORT 4" |
| 24 | PFB18M | FLANGE BOLT M8-1.25 X 20 |
| 25 | PFN01M | FLANGE NUT M8-1.25 |
| 26 | P0674026 | FRONT BRACKET |
| 27 | P0674027 | REAR BRACKET |
| 28 | P0674028 | SUPPORTING BAR |
| 29 | PN01M | HEX NUT M6-1 |
| 30 | PW03M | FLAT WASHER 6MM |
| 31 | P0674031 | DUST HOSE HOLDER PLATE |
| 32 | PBHS41M | BUTTON HD CAP SCR M6-1 X 50 |
| 33 | P0674033 | CABINET REAR COVER |
| 34 | PBHS42M | BUTTON HD CAP SCR M6-1 X 30 |
| 35 | P0674035 | TOOL HOLDER |

| REF | PART # | DESCRIPTION |
|-----|----------|--------------------------------|
| 36 | P0674036 | REAR STAND COVER RH |
| 37 | P0674037 | SIDE STAND COVER |
| 38 | PN02M | HEX NUT M10-1.5 |
| 39 | P0674039 | LEVELING FOOT |
| 40 | P0674040 | REAR CABINET FRAME |
| 41 | P0674041 | TRUNNION TILT ASSEMBLY |
| 42 | PBHS03M | BUTTON HD CAP SCR M8-1.25 X 16 |
| 43 | P0674043 | BLADE HEIGHT ASSEMBLY |
| 44 | PFN02M | FLANGE NUT M6-1 |
| 45 | P0674045 | FRONT CABINET FRAME |
| 46 | PBHS09M | BUTTON HD CAP SCR M6-1 X 12 |
| 47 | P0674047 | ANGLE DISPLAY WINDOW |
| 48 | PW05M | FLAT WASHER 4MM |
| 49 | PN45M | ACORN NUT M4-.7 |
| 50 | P0674050 | HEIGHT DISPLAY WINDOW |
| 51 | PSBHS30M | BUTTON HD CAP SCR M4-.7 X 30 |
| 53 | P0674053 | CONTROL PANEL COVER |
| 54 | P0674054 | HANDWHEEL 160MM |



Control Components Breakdown

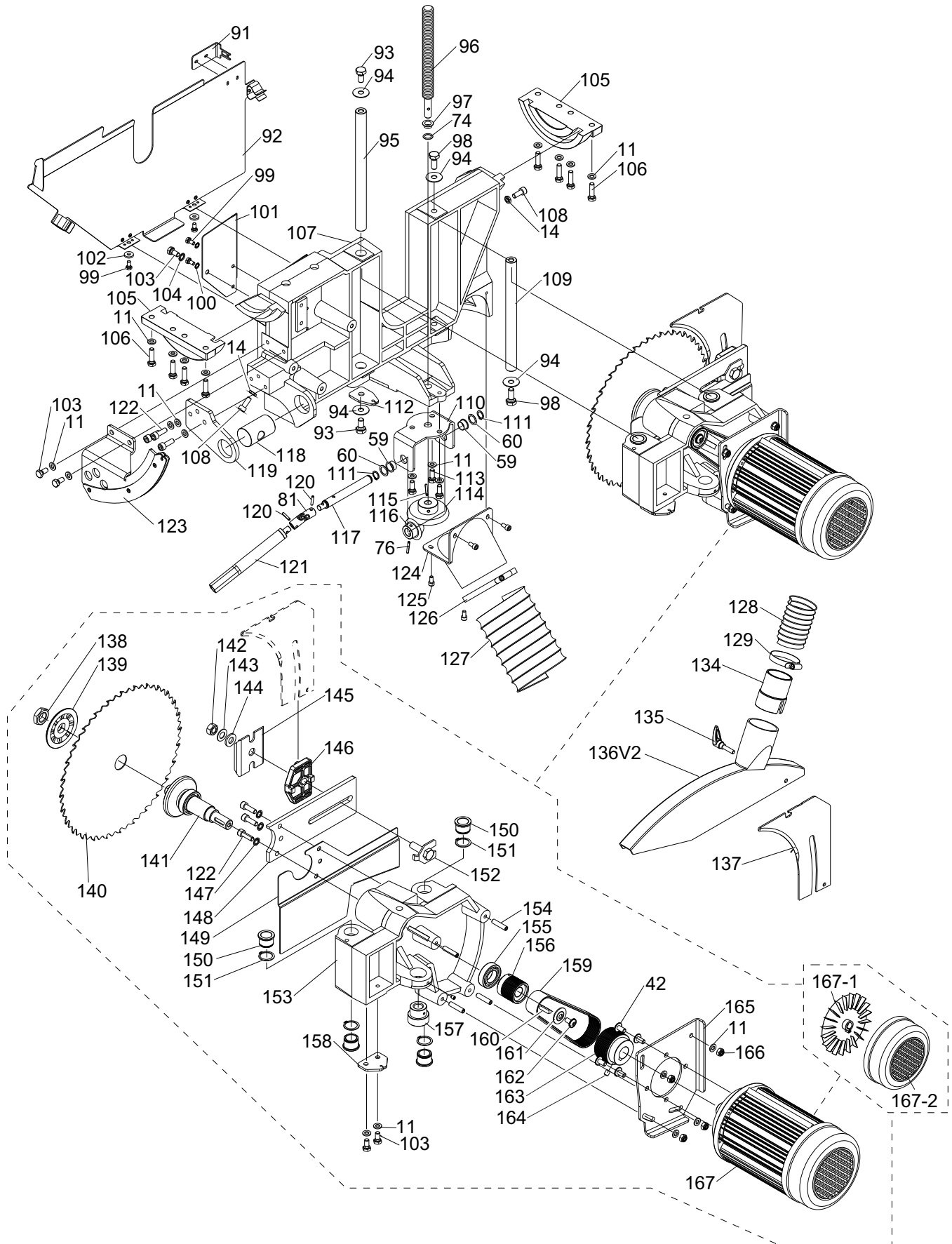


| REF | PART # | DESCRIPTION |
|-----|----------|------------------------|
| 55 | P0674055 | THREADED SPINDLE |
| 56 | PSS20M | SET SCREW M8-1.25 X 8 |
| 57 | P0674057 | THREADED SPINDLE NUT |
| 58 | P0674058 | BEARING BRACKET |
| 59 | P0674059 | COLLAR BUSHING |
| 60 | P0674060 | SHIM |
| 61 | P0674061 | LOCK COLLAR |
| 62 | P0674062 | BUSHING BRACKET |
| 63 | P0674063 | SPIRAL RING 22/24MM |
| 64 | P0674064 | EXTENSION SPRING |
| 65 | P0674065 | SCALE SLIDE |
| 66 | P0674066 | SCALE GUIDE |
| 67 | P0674067 | TILT CABLE SHEATH |
| 68 | P0674068 | ELEVATION CABLE SHEATH |
| 69 | P0674069 | ELEVATION SCALE GUIDE |
| 70 | P0674070 | CABLE PULLEY |
| 71 | P0674071 | PULLEY BUSHING |
| 72 | P0674072 | ELEVATION SCALE SLIDE |

| REF | PART # | DESCRIPTION |
|-----|----------|-------------------------|
| 73 | P0674073 | BUSHING |
| 74 | P0674074 | SHIM |
| 75 | PR01M | EXT RETAINING RING 10MM |
| 76 | PRP56M | ROLL PIN 4 X 25 |
| 77 | P0674077 | BEVEL GEAR 16T |
| 78 | P0674078 | GEAR BRACKET |
| 79 | P0674079 | HANDWHEEL SHAFT |
| 80 | P0674080 | DRIVE SHAFT |
| 81 | P0674081 | UNIVERSAL JOINT |
| 82 | PRP76M | ROLL PIN 4 X 16 |
| 83 | P0674083 | SPROCKET HOLDER |
| 84 | P0674084 | SPROCKET 10T |
| 85 | P0674085 | SPROCKET 14T |
| 86 | P0674086 | CHAIN 57PC |
| 87 | P0674087 | CHAIN DRIVE SHAFT |
| 88 | P0674088 | SHIM |
| 89 | P0674089 | SHORT DRIVE SHAFT |
| 90 | P0674090 | BUSHING |



Trunnion Breakdown



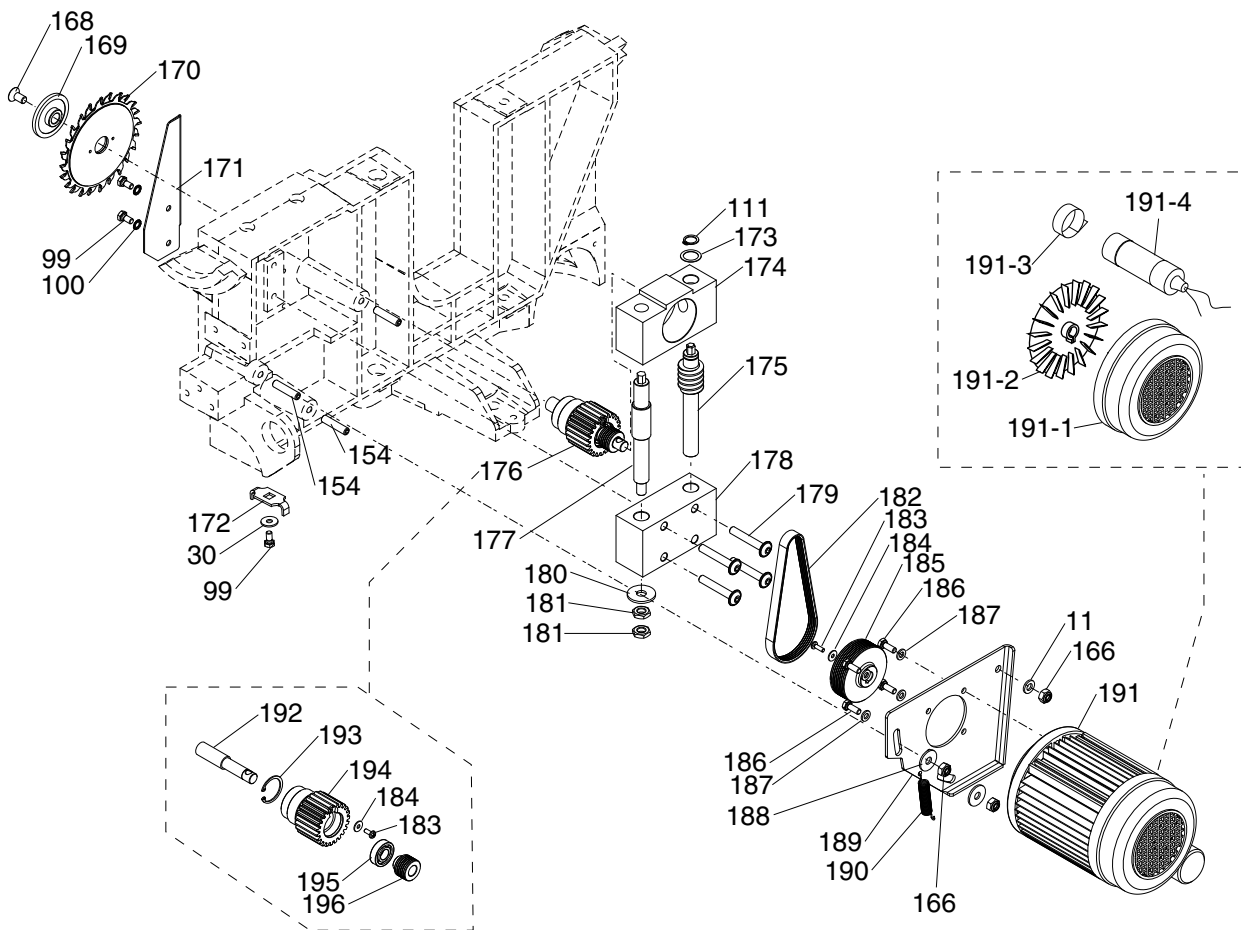
Trunnion Parts List

| REF | PART # | DESCRIPTION |
|-----|----------|--------------------------------|
| 11 | PW01M | FLAT WASHER 8MM |
| 14 | PN03M | HEX NUT M8-1.25 |
| 42 | PBHS03M | BUTTON HD CAP SCR M8-1.25 X 16 |
| 59 | P0674059 | COLLAR BUSHING |
| 60 | P0674060 | SHIM |
| 74 | P0674074 | SHIM |
| 76 | PRP56M | ROLL PIN 4 X 25 |
| 81 | P0674081 | UNIVERSAL JOINT |
| 91 | P0674091 | LIMIT SWITCH PLATE |
| 92 | P0674092 | BLADE COVER |
| 93 | PB74M | HEX BOLT M10-1.5 X 20 |
| 94 | PW04M | FLAT WASHER 10MM |
| 95 | P0674095 | GUIDE SHAFT |
| 96 | P0674096 | THREADED SPINDLE |
| 97 | P0674097 | BUSHING |
| 98 | PB32M | HEX BOLT M10-1.5 X 25 |
| 99 | PB02M | HEX BOLT M6-1 X 12 |
| 100 | PTLW05M | EXT TOOTH WASHER 6MM |
| 101 | P0674101 | DUST SHIELD |
| 102 | PW03M | FLAT WASHER 6MM |
| 103 | PB03M | HEX BOLT M8-1.25 X 16 |
| 104 | PTLW07M | EXT TOOTH WASHER 8MM |
| 105 | P0674105 | TRUNNION |
| 106 | PB26M | HEX BOLT M8-1.25 X 30 |
| 107 | P0674107 | MAIN SAW CASTING |
| 108 | PCAP14M | CAP SCREW M8-1.25 X 20 |
| 109 | P0674109 | SHORT GUIDE SHAFT |
| 110 | P0674110 | ELEVATION GEAR BRACKET |
| 111 | PR02M | EXT RETAINING RING 14MM |
| 112 | P0674112 | GUIDE SHAFT BRACKET |
| 113 | PB09M | HEX BOLT M8-1.25 X 20 |
| 114 | P0674114 | BEVEL GEAR 30T |
| 115 | PRP22M | ROLL PIN 4 X 32 |
| 116 | P0674116 | BEVEL GEAR 15T |
| 117 | P0674117 | DRIVE SHAFT |
| 118 | P0674118 | LEADSCREW NUT |
| 119 | P0674119 | HOLDER PLATE |
| 120 | PRP39M | ROLL PIN 4 X 20 |
| 121 | P0674121 | SPLINED DRIVE SHAFT |
| 122 | PCAP31M | CAP SCREW M8-1.25 X 25 |
| 123 | P0674123 | CABLE GUIDE |
| 124 | P0674124 | DUST PORT 90DEG |

| REF | PART # | DESCRIPTION |
|-------|------------|-------------------------------|
| 125 | PCAP26M | CAP SCREW M6-1 X 12 |
| 126 | P0674126 | HOSE CLAMP 4" |
| 127 | P0674127 | HOSE 4" X 32" |
| 128 | P0674128 | HOSE 2" X 10' |
| 129 | P0674129 | HOSE CLAMP 2" |
| 134 | P0674134 | HOSE ADAPTOR |
| 135 | P0674135 | CLAMP LEVER M8-1.25 X 30 |
| 136V2 | P0674136V2 | BLADE GUARD STRAIGHT V2.01.12 |
| 137 | P0674137 | RIVING KNIFE |
| 138 | P0674138 | ARBOR NUT M20-2.5 LH |
| 139 | P0674139 | WHEEL FLANGE |
| 140 | P0674140 | SAW BLADE 30 X 315MM 48T |
| 141 | P0674141 | ARBOR 30MM |
| 142 | PN09M | HEX NUT M12-1.75 |
| 143 | PLW05M | LOCK WASHER 12MM |
| 144 | PW06M | FLAT WASHER 12MM |
| 145 | P0674145 | RIVING KNIFE CLAMP PLATE |
| 146 | P0674146 | INTERMEDIATE PLATE |
| 147 | PTLW07M | EXT TOOTH WASHER 8MM |
| 148 | P0674148 | RIVING KNIFE HOLDER |
| 149 | P0674149 | BAFFLE |
| 150 | P0674150 | BUSHING |
| 151 | PR11M | EXT RETAINING RING 25MM |
| 152 | P0674152 | FACEPLATE |
| 153 | P0674153 | MOTOR REST |
| 154 | P0674154 | STUD-SE M8-1.25 X 40 3 |
| 155 | P6005-2RS | BALL BEARING 6005-2RS |
| 156 | P0674156 | ARBOR PULLEY |
| 157 | P0674157 | THREADED BUSHING |
| 158 | P0674158 | HINGE PLATE |
| 159 | P0674159 | FLAT BELT 12PJ X 483 |
| 160 | PK143M | KEY 6 X 6 X 25 |
| 161 | P0674161 | MOTOR PULLEY WASHER |
| 162 | PCAP115M | BUTTON HD CAP SCR M6-1 X 16 |
| 163 | P0674163 | MOTOR PULLEY |
| 164 | PSS16M | SET SCREW M8-1.25 X 10 |
| 165 | P0674165 | MOTOR PLATE |
| 166 | PLN04M | LOCK NUT M8-1.25 |
| 167 | P0674167 | SAW MOTOR 6-1/2HP 220V 3PH |
| 167-1 | P0674167-1 | MOTOR FAN |
| 167-2 | P0674167-2 | MOTOR FAN COVER |



Scoring Blade Breakdown

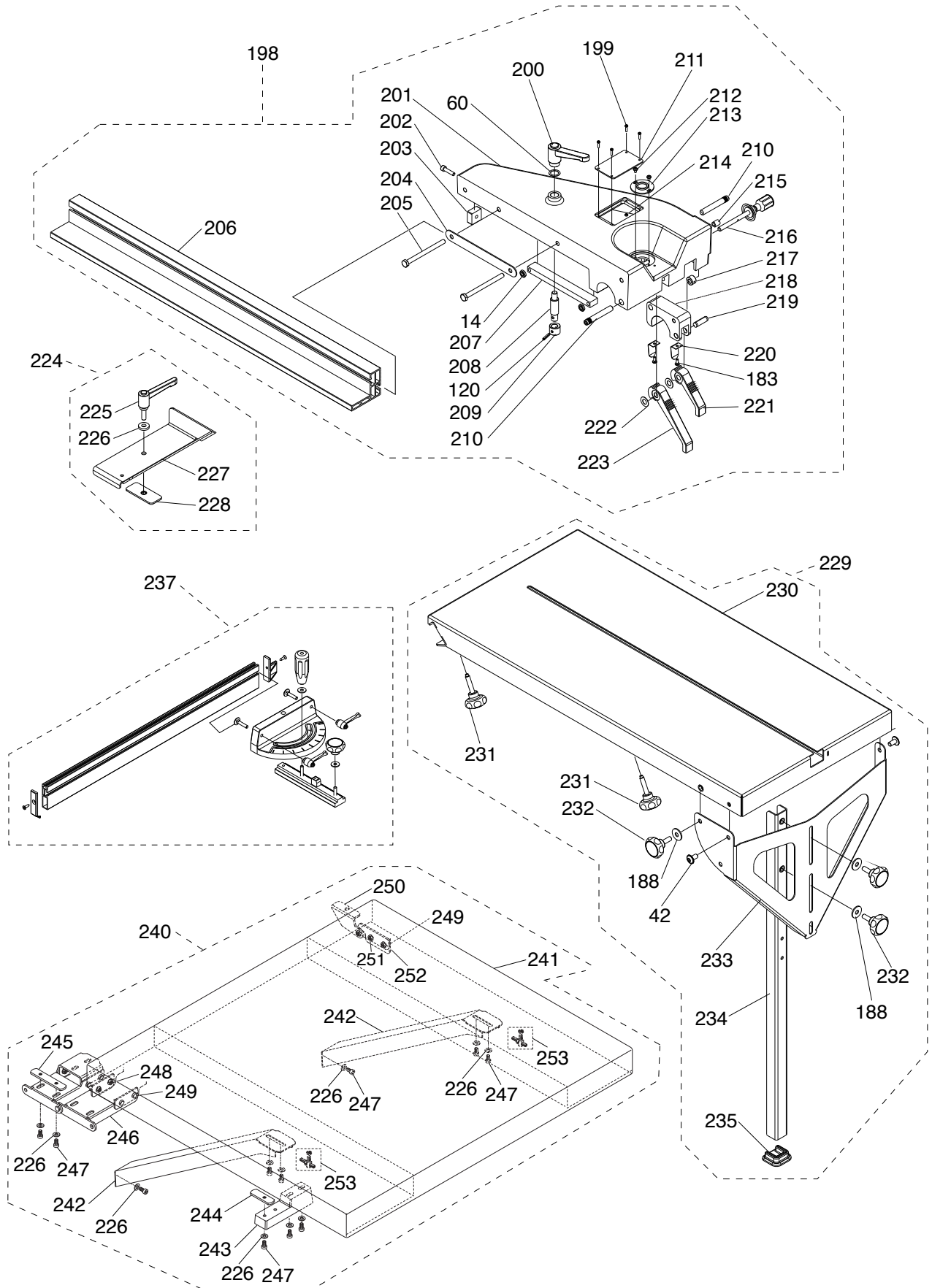


| REF | PART # | DESCRIPTION |
|-----|----------|--------------------------------|
| 11 | PW01M | FLAT WASHER 8MM |
| 30 | PW03M | FLAT WASHER 6MM |
| 99 | PB02M | HEX BOLT M6-1 X 12 |
| 100 | PTLW05M | EXT TOOTH WASHER 6MM |
| 111 | PR02M | EXT RETAINING RING 14MM |
| 154 | P0674154 | STUD-SE M8-1.25 X 40 3 |
| 166 | PLN04M | LOCK NUT M8-1.25 |
| 168 | PFH23M | FLAT HD SCR M8-1.25 X 16 |
| 169 | P0674169 | SCORING BLADE FLANGE |
| 170 | P0674170 | SCORING BLADE STACK |
| 171 | P0674171 | DUST SHIELD |
| 172 | P0674172 | GUIDE BRACKET |
| 173 | P0674173 | SHIM |
| 174 | P0674174 | ADJUSTABLE BLOCK |
| 175 | P0674175 | WORM SHAFT |
| 176 | P0674176 | SCORING ARBOR |
| 177 | P0674177 | ADJUSTABLE SPINDLE |
| 178 | P0674178 | GUIDE BLOCK |
| 179 | PBHS44M | BUTTON HD CAP SCR M8-1.25 X 50 |
| 180 | PW04M | FLAT WASHER 10MM |

| REF | PART # | DESCRIPTION |
|-------|------------|------------------------------|
| 181 | P0674181 | GUIDE BLOCK HEX NUT M10-1.5 |
| 182 | P0674182 | RIBBED V-BELT 5PJ-362 |
| 183 | PBHS24M | BUTTON HD CAP SCR M4-.7 X 10 |
| 184 | PW05M | FLAT WASHER 4MM |
| 185 | P0674185 | MOTOR PULLEY |
| 186 | PB83M | HEX BOLT M6-1 X 16 |
| 187 | PW03M | FLAT WASHER 6MM |
| 188 | PW01M | FLAT WASHER 8MM |
| 189 | P0674189 | SCORING MOTOR PLATE |
| 190 | P0674190 | EXTENSION SPRING |
| 191 | P0674191 | SCORING MOTOR 1HP 220V 1PH |
| 191-1 | P0674191-1 | MOTOR FAN COVER |
| 191-2 | P0674191-2 | MOTOR FAN |
| 191-3 | P0674191-3 | CAPACITOR HOLDER |
| 191-4 | P0674191-4 | S CAPACITOR 16M 450V |
| 192 | P0674192 | SCORING BLADE ARBOR 20MM |
| 193 | PR20M | INT RETAINING RING 28MM |
| 194 | P0674194 | ARBOR HOUSING |
| 195 | P6001ZZ | BALL BEARING 6001ZZ |
| 196 | P0674196 | SCORING ARBOR PULLEY |



Accessory Breakdown



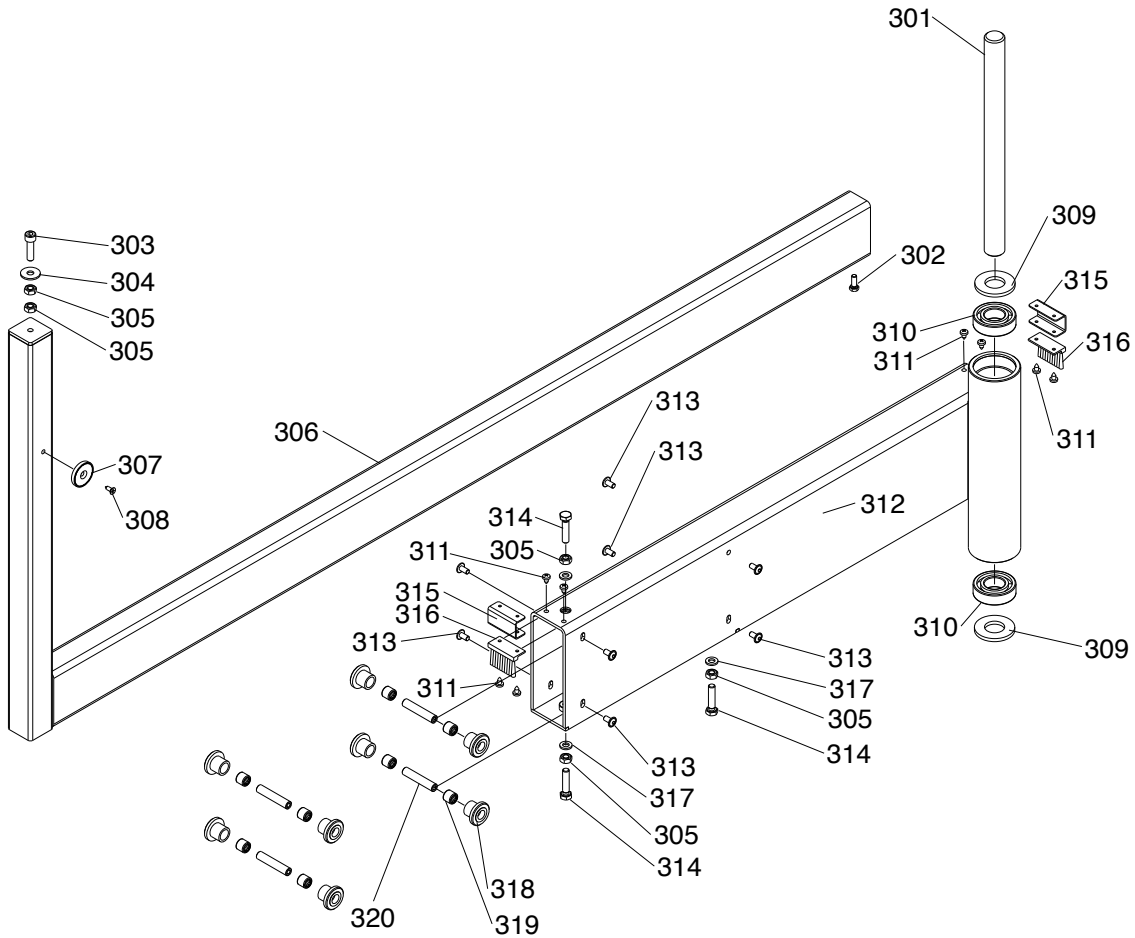
Accessory List

| REF | PART # | DESCRIPTION |
|-----|----------|--------------------------------|
| 14 | P0674014 | HEX NUT M8-1.25 |
| 42 | P0674042 | BUTTON HD CAP SCR M8-1.25 X 16 |
| 60 | P0674060 | SHIM |
| 120 | P0674120 | ROLL PIN 4 X 20 |
| 184 | P0674184 | FLAT WASHER 4MM |
| 188 | P0674188 | FLAT WASHER 8MM |
| 198 | P0674198 | RIP FENCE ASSEMBLY |
| 199 | P0674199 | BUTTON HD CAP SCR M3-.5 X 12 |
| 200 | P0674200 | FENCE LOCK LEVER |
| 201 | P0674201 | RIP FENCE BODY |
| 202 | P0674202 | CAP SCREW M6-1 X 25 |
| 203 | P0674203 | FENCE SLIDER |
| 204 | P0674204 | CLAMPING PLATE |
| 205 | P0674205 | HEX BOLT M8-1.25 X 100 |
| 206 | P0674206 | FENCE RAIL |
| 207 | P0674207 | DRAW PLATE |
| 208 | P0674208 | CLAMP BOLT |
| 209 | P0674209 | ECCENTRIC BUSHING |
| 210 | P0674210 | GUIDE BOLT |
| 211 | P0674211 | COVER |
| 212 | P0674212 | BUTTON HD CAP SCR M4-.7 X 6 |
| 213 | P0674213 | MAGNIFYING GLASS |
| 214 | P0674214 | HEX NUT M3-.5 |
| 215 | P0674215 | FINE ADJUSTMENT INDICATOR |
| 216 | P0674216 | ADJUSTABLE SPINDLE |
| 217 | P0674217 | SPINDLE BUSHING |
| 218 | P0674218 | CLAMP BLOCK |
| 219 | P0674219 | SHAFT 10 X 30 |
| 220 | P0674220 | SPRING CLIP |
| 221 | P0674221 | SHORT ECCENTRIC LEVER |

| REF | PART # | DESCRIPTION |
|-----|----------|----------------------------------|
| 222 | P0674222 | SPACER |
| 223 | P0674223 | LONG ECCENTRIC LEVER |
| 224 | P0674224 | EDGING ATTACHMENT ASSEMBLY |
| 225 | P0674225 | CLAMP LEVER M8-1.25 X 25 |
| 226 | P0674226 | FLAT WASHER 8MM |
| 227 | P0674227 | EDGING FENCE |
| 228 | P0674228 | CLAMP PLATE |
| 229 | P0674229 | EXTENSION TABLE ASSEMBLY (SMALL) |
| 230 | P0674230 | EXTENSION TABLE (SMALL) |
| 231 | P0674231 | KNOB M8-1.25 X 40 |
| 232 | P0674232 | KNOB M8-1.25 X 25 |
| 233 | P0674233 | LEG BRACKET |
| 234 | P0674234 | LEG |
| 235 | P0674235 | FOOT |
| 237 | P0674237 | CROSSCUT GAUGE ASSEMBLY |
| 240 | P0674240 | EXTENSION TABLE ASSEMBLY (LARGE) |
| 241 | P0674241 | EXTENSION TABLE (LARGE) |
| 242 | P0674242 | EXTENSION TABLE SUPPORT BRACKET |
| 243 | P0674243 | RIP FENCE RAIL BRACKET (RIGHT) |
| 244 | P0674244 | RIP FENCE RAIL SPACER (SMALL) |
| 245 | P0674245 | RIP FENCE RAIL BRACKET (CENTER) |
| 246 | P0674246 | RIP FENCE RAIL SPACER (LARGE) |
| 247 | P0674247 | CAP SCREW M8-1.25 X 16 |
| 248 | P0674248 | FLANGE NUT 8MM |
| 249 | P0674249 | HEX BOLT M8-1.25 X 16 |
| 250 | P0674250 | EXTENSION TABLE BRACKET |
| 251 | P0674251 | LOCK WASHER 8MM |
| 252 | P0674252 | HEX NUT M8-1.25 |
| 253 | P0674253 | EXTENSION TABLE HEIGHT ADJ ASSY |



Outrigger Breakdown

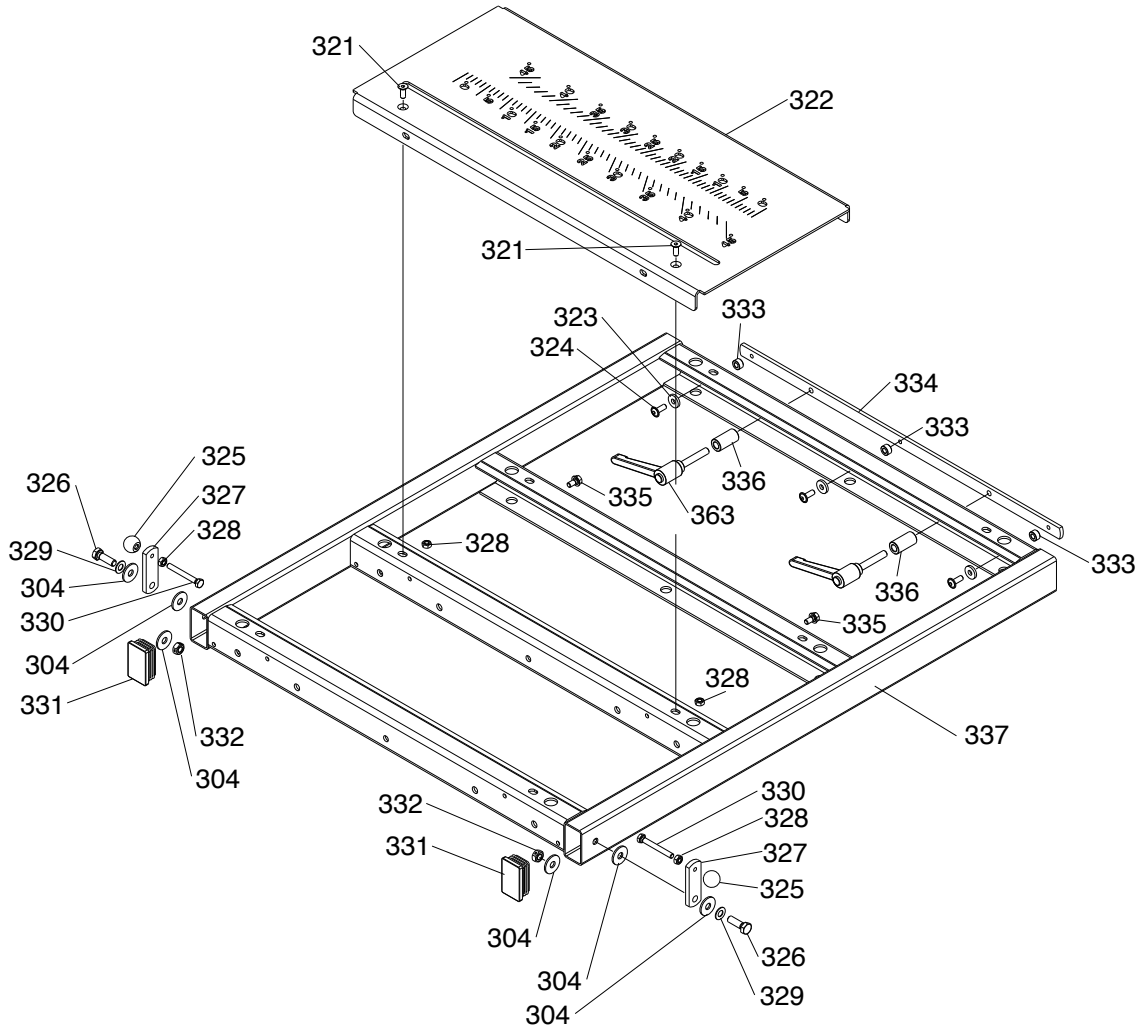


| REF | PART # | DESCRIPTION |
|-----|----------|------------------------|
| 301 | P0674301 | SHAFT |
| 302 | PB83M | HEX BOLT M6-1 X 16 |
| 303 | PCAP45M | CAP SCREW M8-1.25 X 45 |
| 304 | PW01M | FLAT WASHER 8MM |
| 305 | PN03M | HEX NUT M8-1.25 |
| 306 | P0674306 | EXTENSION |
| 307 | P0674307 | MAGNETIC CLAMP |
| 308 | PHTEK39M | TAP SCREW M4 X 12 |
| 309 | PW19M | FLAT WASHER 25MM |
| 310 | P6205RS | BALL BEARING 6205-RS |

| REF | PART # | DESCRIPTION |
|-----|----------|--------------------------------|
| 311 | P0674311 | BRUSH SCREW |
| 312 | P0674312 | ARM BASE |
| 313 | PBHS03M | BUTTON HD CAP SCR M8-1.25 X 16 |
| 314 | PB30M | HEX BOLT M8-1.25 X 55 |
| 315 | P0674315 | BRUSH HOLDER |
| 316 | P0674316 | BRUSH |
| 317 | PW01M | FLAT WASHER 8MM |
| 318 | P0674318 | GUIDE ROLLER |
| 319 | P0674319 | NEEDLE BEARING |
| 320 | P0674320 | ROLLER SHAFT |



Crosscut Table Breakdown

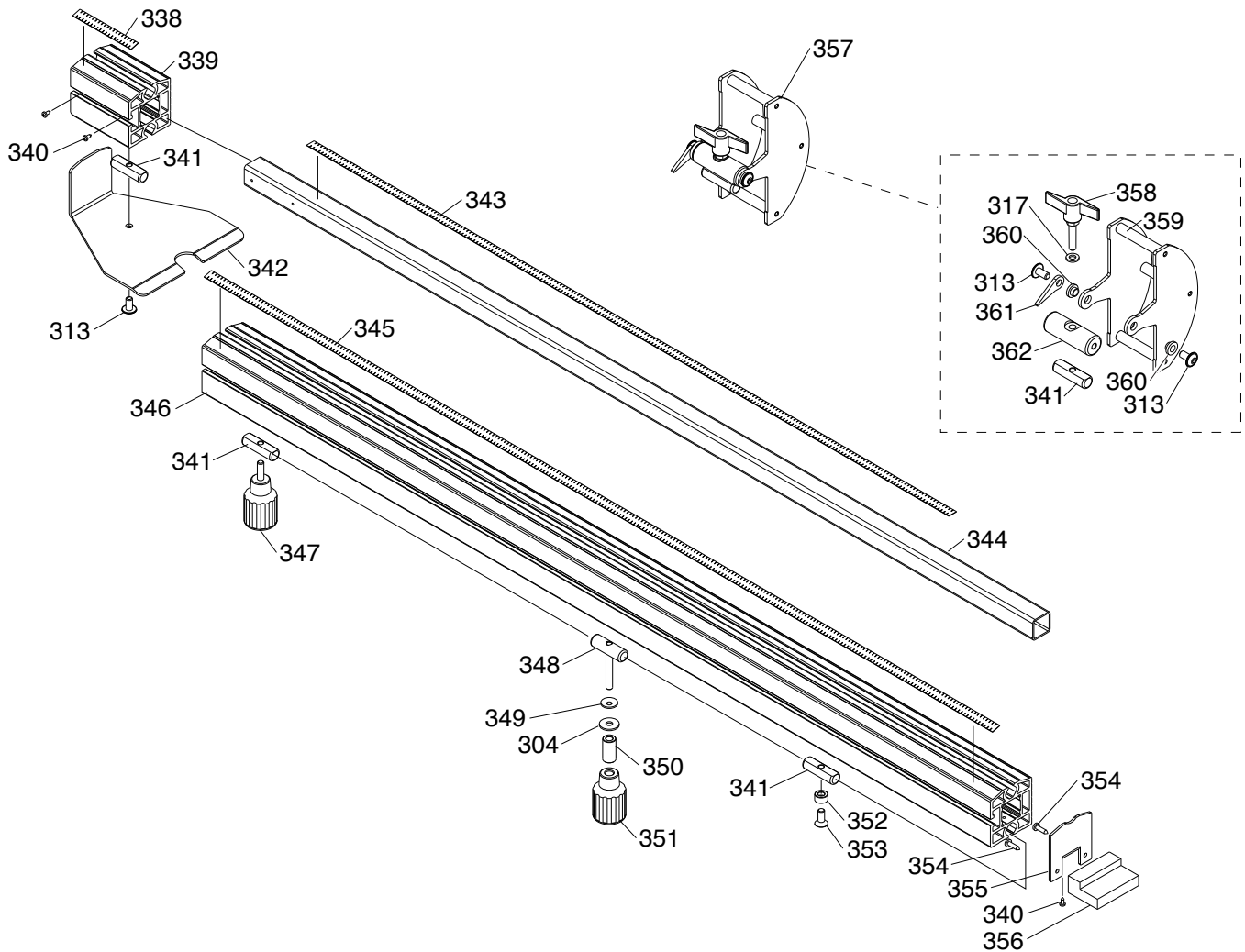


| REF | PART # | DESCRIPTION |
|-----|----------|-----------------------------|
| 304 | PW01M | FLAT WASHER 8MM |
| 321 | PFH38M | FLAT HD SCR M6-1 X 16 |
| 322 | P0674322 | SCALE PLATE |
| 323 | PW03M | FLAT WASHER 6MM |
| 324 | PCAP115M | BUTTON HD CAP SCR M6-1 X 16 |
| 325 | P0674325 | BALL KNOB M6-1 |
| 326 | PB07M | HEX BOLT M8-1.25 X 25 |
| 327 | P0674327 | FENCE PLATE |
| 328 | PN01M | HEX NUT M6-1 |
| 329 | PLW04M | LOCK WASHER 8MM |

| REF | PART # | DESCRIPTION |
|-----|----------|----------------------------|
| 330 | PB39M | HEX BOLT M6-1 X 50 |
| 331 | P0674331 | END CAP |
| 332 | PLN04M | LOCK NUT M8-1.25 |
| 333 | P0674333 | SPACER |
| 334 | P0674334 | CLAMPING BAR |
| 335 | P0674335 | CROSSCUT TABLE FLANGE BOLT |
| 336 | P0674336 | SPACER |
| 337 | P0674337 | CROSSCUT TABLE |
| 363 | P0674363 | LOCK HANDLE |



Extension Fence Breakdown

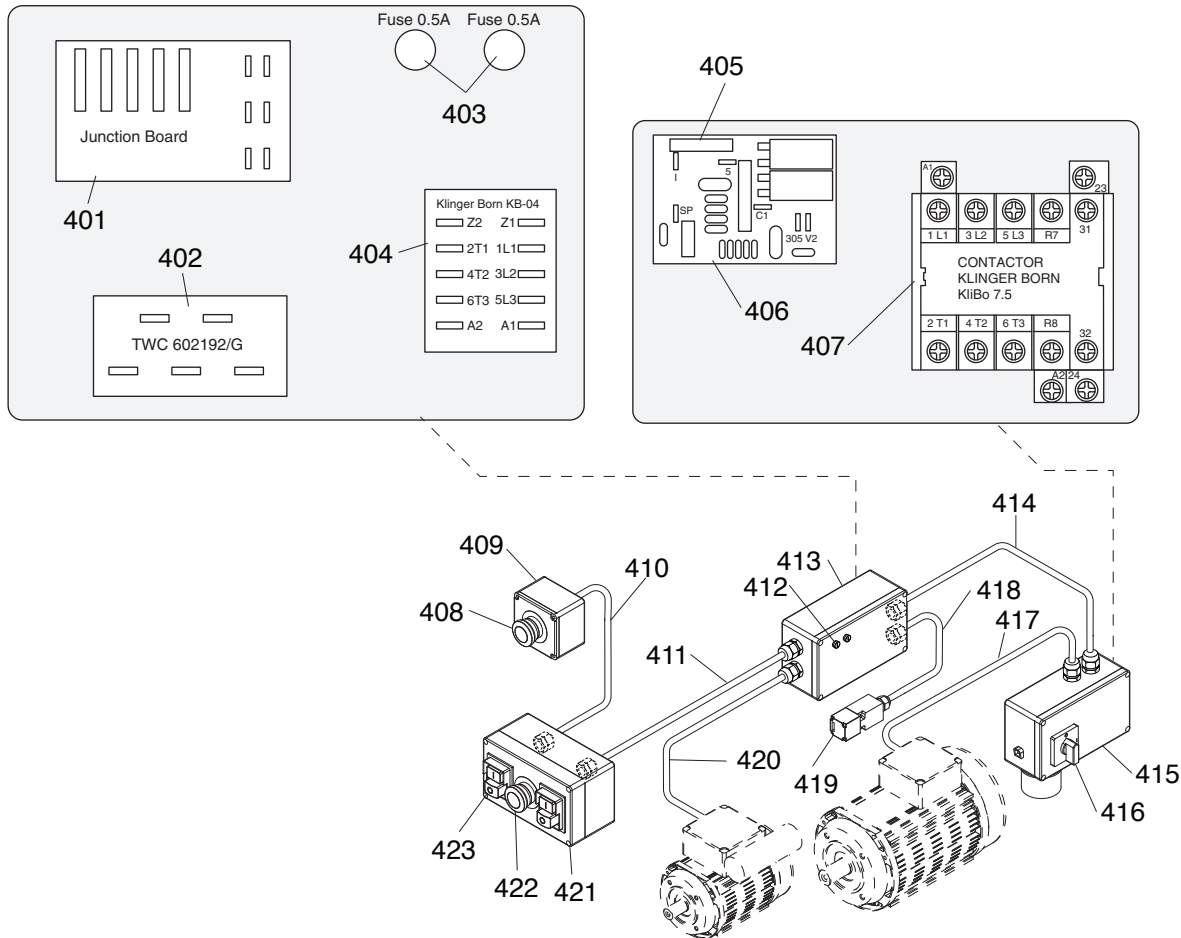


| REF | PART # | DESCRIPTION |
|-----|----------|--------------------------------|
| 304 | PW01M | FLAT WASHER 8MM |
| 313 | PBHS03M | BUTTON HD CAP SCR M8-1.25 X 16 |
| 317 | PW01M | FLAT WASHER 8MM |
| 338 | P0674338 | SCALE END STOP |
| 339 | P0674339 | FENCE END CAP |
| 340 | P0674340 | FENCE END CAP SCREW |
| 341 | P0674341 | BASE NUT 16 X 50MM STEEL |
| 342 | P0674342 | WORKPIECE REST PLATE |
| 343 | P0674343 | PULLOUT SCALE |
| 344 | P0674344 | PULLOUT RAIL |
| 345 | P0674345 | SCALE FENCE RAIL |
| 346 | P0674346 | FENCE RAIL |
| 347 | P0674347 | KNOB M8-1.25 X 25 |
| 348 | P0674348 | BASE SHAFT |

| REF | PART # | DESCRIPTION |
|-----|----------|----------------------------------|
| 349 | P0674349 | BASE SHAFT WASHER 8 X 50MM STEEL |
| 350 | P0674350 | SPACER 16 X 31MM STEEL |
| 351 | P0674351 | KNOB M8-1.25 |
| 352 | P0674352 | SPACER 16 X 8.5MM STEEL |
| 353 | PFH48M | FLAT HD SCR M8-1.25 X 18 |
| 354 | P0674354 | FENCE COVER PLATE SCREW |
| 355 | P0674355 | COVER PLATE |
| 356 | P0674356 | FENCE CAP |
| 357 | P0674357 | FLIP STOP ASSEMBLY |
| 358 | P0674358 | WING KNOB |
| 359 | P0674359 | FLIP STOP |
| 360 | P0674360 | BUSHING |
| 361 | P0674361 | INDICATOR |
| 362 | P0674362 | SHAFT BRACKET |



Electrical Components Breakdown



| REF | PART # | DESCRIPTION |
|-----|----------|--------------------------|
| 401 | P0674401 | JUNCTION BOARD |
| 402 | P0674402 | TRANSFORMER TWC 602192/G |
| 403 | P0674403 | FUSE 0.5A |
| 404 | P0674404 | RELAY KB-04 |
| 405 | P0674405 | FUSE T16/250V |
| 406 | P0674406 | CIRCUIT BOARD |
| 407 | P0674407 | CONTACTOR KLIBO 7.5 |
| 408 | P0674408 | ALTERNATIVE STOP SWITCH |
| 409 | P0674409 | STOP SWITCH BOX |
| 410 | P0674410 | CORD 2W |
| 411 | P0674411 | CORD 6W |
| 412 | P0674412 | FUSE HOLDER |

| REF | PART # | DESCRIPTION |
|-----|----------|---------------------|
| 413 | P0674413 | FUSE BOX |
| 414 | P0674414 | CORD 7W |
| 415 | P0674415 | POWER BOX |
| 416 | P0674416 | ROTARY POWER SWITCH |
| 417 | P0674417 | MAIN MOTOR CORD |
| 418 | P0674418 | LIMIT SWITCH CORD |
| 419 | P0674419 | LIMIT SWITCH |
| 420 | P0674420 | SCORING MOTOR CORD |
| 421 | P0674421 | CONTROL BOX |
| 422 | P0674422 | STOP SWITCH |
| 423 | P0674423 | MOTOR ON/OFF SWITCH |



Labels Breakdown



| REF | PART # | DESCRIPTION |
|-----|------------|-----------------------------|
| 501 | P0674501 | BLADE GUARD LABEL |
| 502 | P0674502 | KICKBACK HAZARD LABEL |
| 503 | PLABEL-12A | READ MANUAL LABEL VL |
| 504 | PLABEL-57 | GLASSES RESPIRATOR LABEL VL |

| REF | PART # | DESCRIPTION |
|-----|----------|--------------------|
| 505 | P0674505 | MACHINE ID LABEL |
| 506 | P0674506 | MODEL NUMBER LABEL |
| 507 | G8589 | GRIZZLY NAMEPLATE |

WARNING

Safety labels warn about machine hazards and ways to prevent injury. The owner of this machine **MUST** maintain the original location and readability of the labels on the machine. If any label is removed or becomes unreadable, **REPLACE** that label before using the machine again. Contact Grizzly at (800) 523-4777 or www.grizzly.com to order new labels.

