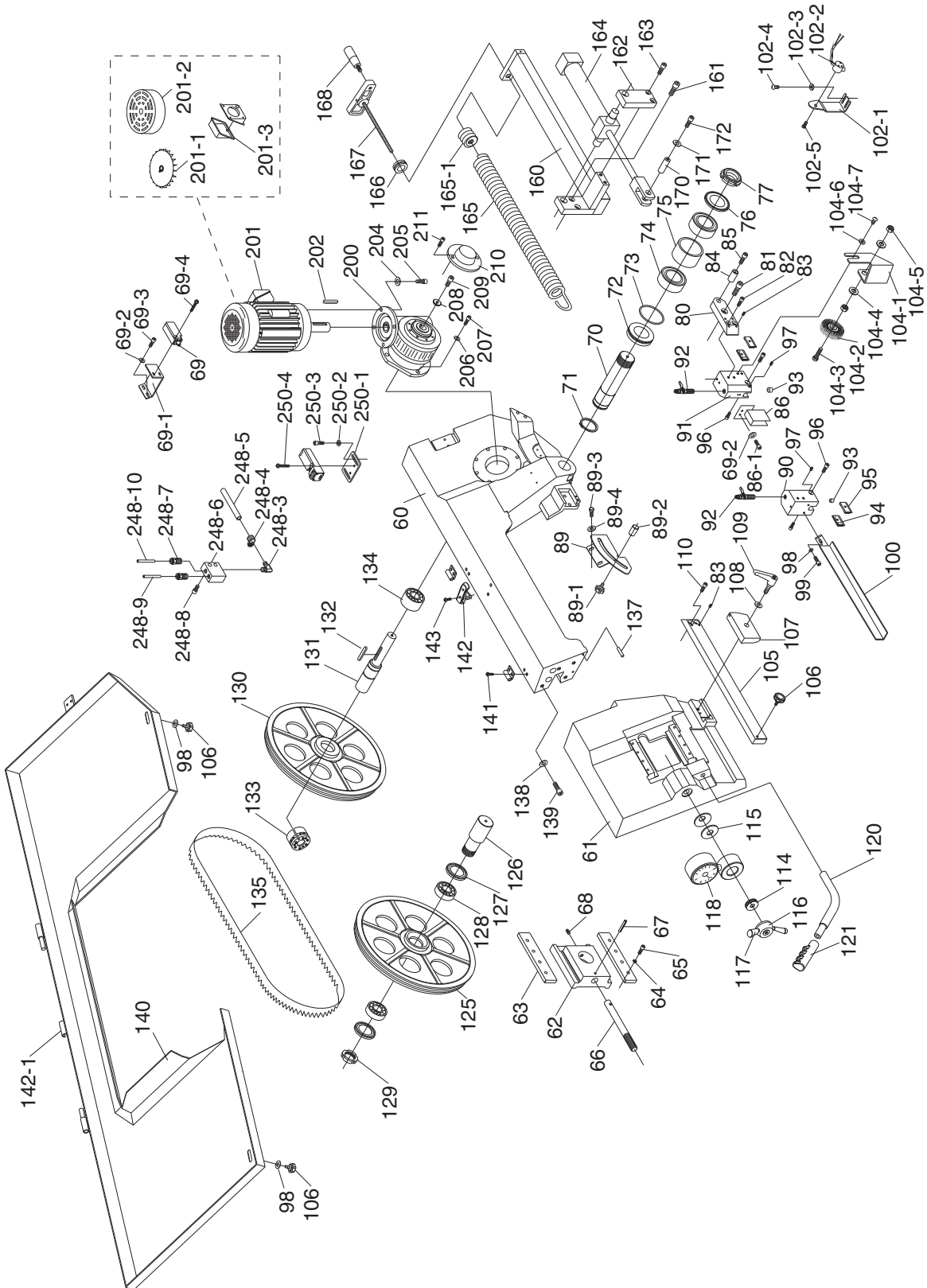


SECTION 10: PARTS

Main Parts Breakdown



Main Parts List

REF	PART #	DESCRIPTION
60	P0664060	DRIVE WHEEL FRAME
61	P0664061	IDLER WHEEL FRAME
62	P0664062	ANCHOR BLOCK
63	P0664063	GIB
64	PLW04M	LOCK WASHER 8MM
65	PSB31M	CAP SCREW M8-1.25 X 25
66	P0664066	BLADE TENSION BAR
67	PRP58M	ROLL PIN 6 X 45
68	PSS09M	SET SCREW M8-1.25 X 20
69	P0664069	LIMIT SWITCH
69-1	P0664069-1	SWITCH BRACKET
69-2	PW02M	FLAT WASHER 5MM
69-3	PS05M	PHLP HD SCR M5-.8 X 8
69-4	PS51M	PHLP HD SCR M4-.7 X 30
70	P0664070	MAIN PIVOT SHAFT
71	PR56M	EXT RETAINING RING 45MM
72	P0664072	BEARING SPACER
73	PORG070	O-RING 69.4 X 3.1 G70
74	P0664074	BALL BEARING 32009J
75	P0664075	MAIN PIVOT SPACER
76	P0664076	DUST SHIELD
77	P0664077	SPECIAL NUT M45-1.5
80	P0664080	BLADE GUIDE BLOCK
81	PSB36M	CAP SCREW M12-1.75 X 25
82	PSB13M	CAP SCREW M8-1.25 X 30
83	PSS64M	SET SCREW M6-1 X 15
84	P0664084	RELEASE BLOCK
85	PSB63M	CAP SCREW M12-1.75 X 60
86	P0664086	BLADE GUARD REAR
86-1	P0664086-1	BUTTON HD CAP SCR M5-.8 X 12
87	PW03M	FLAT WASHER 6MM
87-1	PSB28M	CAP SCREW M6-1 X 15
89	P0664089	UPPER STOP BRACKET
89-1	P0664089-1	STOP KNOB
89-2	P0664089-2	STOP BLOCK
89-3	PB29M	HEX BOLT M6-1 X 30
89-4	PW03M	FLAT WASHER 6MM
90	P0664090	BLADE GUIDE UPPER
91	P0664091	BLADE GUIDE LOWER
92	P0664092	HOSE VALVE
93	P0664093	BLADE GUIDE BACK
94	P0664094	BLADE GUIDE LEFT
95	P0664095	BLADE GUIDE RIGHT
96	PSB11M	CAP SCREW M8-1.25 X 16
97	PSB28M	CAP SCREW M6-1 X 15
98	PW03M	FLAT WASHER 6MM
99	PSB28M	CAP SCREW M6-1 X 15
100	P0664100	BLADE GUARD
102-1	P0664102-1	BRACKET
102-2	P0664102-2	LASER LIGHT
102-3	PW02M	FLAT WASHER 5MM
102-4	PS05M	PHLP HD SCR M5-.8 X 8
102-5	PS05M	PHLP HD SCR M5-.8 X 8

REF	PART #	DESCRIPTION
104-1	P0664104-1	BRUSH SUPPORT
104-2	P0664104-2	BRUSH
104-3	PB29M	HEX BOLT M6-1 X 30
104-4	PW03M	FLAT WASHER 6MM
104-5	PN01M	HEX NUT M6-1
104-6	PW02M	FLAT WASHER 5MM
104-7	PS05M	PHLP HD SCR M5-.8 X 8
105	P0664105	BLADE ADJUST STICK
106	P0664106	KNOB M6-1 X 15
107	P0664107	FIX BLOCK
108	PW06M	FLAT WASHER 12MM
109	P0664109	HANDLE
110	PSB13M	CAP SCREW M8-1.25 X 30
114	P0664114	BALL BEARING 51203
115	P0664115	SPECIAL WASHER
116	P0664116	BLADE TENSION WHEEL
117	P0664117	BLADE TENSION HANDLE
118	P0664118	BLADE TENSION SCALE
120	P0664120	CONNECTING TUBE
121	P0664121	HANDLE CAP
125	P0664125	IDLER WHEEL
126	P0664126	IDLER WHEEL SHAFT
127	P0664127	DUST COVER
128	P0664128	BALL BEARING 32007J
129	P0664129	SPECIAL NUT M35-1.5
130	P0664130	DRIVE WHEEL
131	P0664131	DRIVE GEAR SHAFT
132	P0664132	DRIVE GEAR KEY
133	P0664133	SHAFT BUSHING
134	P0664134	BALL BEARING 6307ZZ
135	P0664135	BLADE 4/6T VP HSS
137	PRP08M	ROLL PIN 6 X 30
138	PLW05M	LOCK WASHER 12MM
139	PSB131M	CAP SCREW M12-1.75 X 45
140	P0664140	BLADE COVER
141	PS11M	PHLP HD SCR M6-1 X 16
142	P0664142	BLADE COVER LATCH
142-1	P0664142-1	HOOK
143	PS19M	PHLP HD SCR M5-.8 X 6
160	P0664160	SPRING BRACKET
161	PSB84M	CAP SCREW M10-1.5 X 35
162	P0664162	SPRING BRACKET
163	PSB31M	CAP SCREW M8-1.25 X 25
164	P0664164	RAM ASSEMBLY
165	P0664165	EXTENSION SPRING
165-1	P0664165-1	BUSHING
166	P0664166	BEARING
167	P0664167	SPRING TENSION LEADSCREW
168	P0664168	SPRING TENSION KNOB
170	P0664170	RAM PIN
171	PW01M	FLAT WASHER 8MM
172	PSB100M	CAP SCREW M8-1.25 X 15
200	P0664200	GEAR BOX

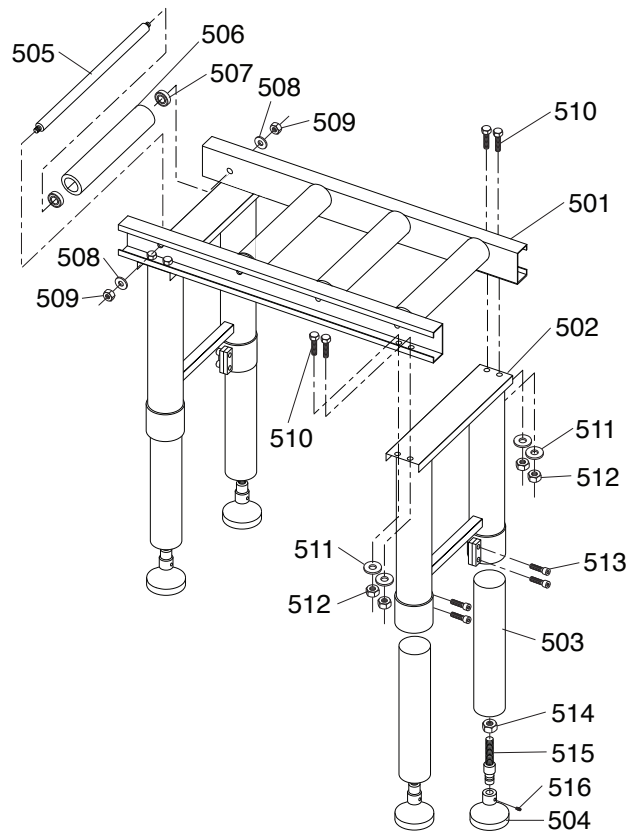


Main Parts List (Continued)

REF	PART #	DESCRIPTION
201	P0664201	MOTOR 2.5 HP 220V 3-PH
201-1	P0664201-1	SAW MOTOR FAN
201-2	P0664201-2	SAW MOTOR FAN COVER
201-3	P0664201-3	SAW MOTOR JUNCTION BOX
202	P0664202	KEY 8 X 7 X 40
204	PLW04M	LOCK WASHER 8MM
205	PSB31M	CAP SCREW M8-1.25 X 25
206	PW04M	FLAT WASHER 10MM
207	PSB64M	CAP SCREW M10-1.5 X 25
208	P0664208	DRIVE SHAFT WASHER
209	PSB61M	CAP SCREW M10-1.5 X 20
210	P0664210	REDUCER COVER
211	PSB100M	CAP SCREW M8-1.25 X 15

REF	PART #	DESCRIPTION
248-3	P0664248-3	MICRO CONTROL BLOCK
248-4	P0664248-4	HOSE CLAMP
248-5	P0664248-5	NET TUBE
248-6	P0664248-6	3 WAY VALVE
248-7	P0664248-7	HOSE FITTING
248-8	PSB07M	CAP SCREW M6-1 X 30
248-9	P0664248-9	PU TUBE SHORT
248-10	P0664248-10	PU TUBE LONG
250-1	P0664250-1	POWER CUTTING BRACKET
250-2	PLW03M	LOCK WASHER 6MM
250-3	PSB28M	CAP SCREW M6-1 X 15
250-4	PS51M	PHLP HD SCR M4-.7 X 30

Roller Stand Parts Breakdown & List



REF	PART #	DESCRIPTION
501	G0664501	TABLE RAIL
502	G0664502	LEG ASSEMBLY
503	G0664503	LOWER LEG
504	G0664504	ADJUSTABLE FOOT
505	G0664505	ROLLER SHAFT
506	G0664506	ROLLER
507	P6003	BALL BEARING 6003ZZ
508	PW06M	FLAT WASHER 12MM

REF	PART #	DESCRIPTION
509	PN09M	HEX NUT M12-1.75
510	PB03M	HEX BOLT M8-1.25 X 16
511	PW01M	FLAT WASHER 8MM
512	PN03M	HEX NUT M8-1.25
513	PSB11M	CAP SCREW M8-1.25 X 16
514	PN13M	HEX NUT M16-2
515	G0664515	FOOT STUD
516	PSS03M	SET SCREW M6-1 X 8



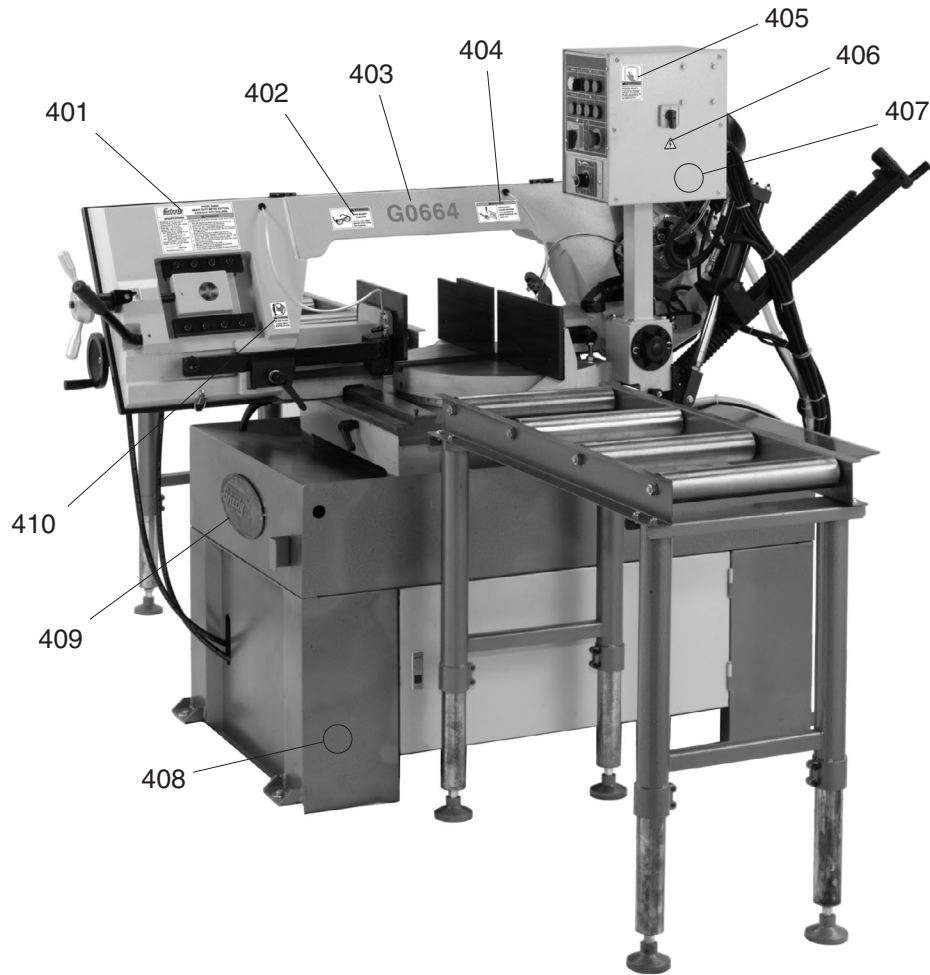
Base Breakdown

REF	PART #	DESCRIPTION
1	P0664001	SAW SWIVEL BASE
2	P0664002	WISE BACK PLATE RIGHT
3	P0664003	WISE BACK PLATE LEFT
4	P0664004	WISE JAW RIGHT
5	P0664005	WISE JAW LEFT
6	P0664006	SAW SWIVEL
7	P0664007	SPECIAL NUT M30-1.5
8	P0664008	SHAFT
9	P0664009	BALL BEARING 35 X 52 X 4
10	P0664010	SPECIAL NUT M35-1.5
11	PSB36M	CAP SCREW M12-1.75 X 25
12	PSS77M	SET SCREW M12-1.75 X 20
13-2	PSS01M	SET SCREW M6-1 X 10
13-3	P0664013-3	WORK STOP ROD
13-4	P0664013-4	LOCK KNOB
13-5	PLW03M	LOCK WASHER 6MM
13-6	P0664013-6	WORK STOP BRACKET
13-7	P0664013-7	WORK STOP
13-8	PN02M	HEX NUT M10-1.5
13-9	PB32M	HEX BOLT M10-1.5 X 25
14	P0664014	PIVOT BEARING COVER
14-1	PSB28M	CAP SCREW M6-1 X 15
15-1	P0664015-1	STAND
15-2	P0664015-2	FLUID COLLECT PLATE
15-3	P0664015-3	COOLANT CATCH TRAY
16-1	P0664016-1	STAND LEG RIGHT
16-2	P0664016-2	STAND LEG LEFT
16-3	P0664016-3	STAND MIDDLE PANEL
16-4	P0664016-4	STAND FRONT PANEL
17-1	PB09M	HEX BOLT M8-1.25 X 20
17-2	PW01M	FLAT WASHER 8MM
17-3	PN03M	HEX NUT M8-1.25
17-4	PN13M	HEX NUT M16-2
17-5	PSB122M	CAP SCREW M16-2 X 50
18-1	PSB14M	CAP SCREW M8-1.25 X 20
18-2	PW01M	FLAT WASHER 8MM
18-3	PN03M	HEX NUT M8-1.25
19-1	PW03M	FLAT WASHER 6MM
19-2	PSB28M	CAP SCREW M6-1 X 15
19-3	P0664019-3	SET SCREW M10-1.5 X 40
19-4	PW04M	FLAT WASHER 10MM
19-5	PN02M	HEX NUT M10-1.5
21	P0664021	PIVOT LOCK SHAFT
22	P0664022	PIVOT LOCK HANDLE
30	P0664030	WISE TABLE
31	P0664031	COMPRESSION SPRING
32	P0664032	RACK SHAFT
33	P0664033	GEAR SHAFT
34	P0664034	SHAFT BUSHING
35	P0664035	HANDLE

REF	PART #	DESCRIPTION
36	P0664036	HANDLE SHAFT
37	P0664037	HANDLE
38	PSS06M	SET SCREW M8-1.25 X 16
40	P0664040	WISE JAW BRACKET FRONT
41	P0664041	WISE PLATE
42	PFH11M	FLAT HD SCR M8-1.25 X 15
43	PSS25M	SET SCREW M6-1 X 20
44	P0664044	LEADSCREW
45	PW08M	FLAT WASHER 16MM
46	P0664046	HANDWHEEL
47	PRP05M	ROLL PIN 5 X 30
48	P0664048	CYLINDER
49	PW01M	FLAT WASHER 8MM
50	PSB13M	CAP SCREW M8-1.25 X 30
51	PSS06M	SET SCREW M8-1.25 X 16
52	P0664052	ACCESSORY BRACKET
53	PW04M	FLAT WASHER 10MM
54	PSB72M	CAP SCREW M10-1.5 X 30
55	PN09M	HEX NUT M12-1.75
56	PSB73M	CAP SCREW M12-1.75 X 50
57	P0664057	CONTROL BOX ASSEMBLY
57-1	P0664057-1	CONTROL PANEL LABEL
57-2	P0664057-2	FEED SPEED LABEL
58	PW01M	FLAT WASHER 8MM
59	PSB31M	CAP SCREW M8-1.25 X 25
78	P0664078	BRACKET
78-1	PSB28M	CAP SCREW M6-1 X 15
78-2	PS51M	PHLP HD SCR M4-.7 X 30
78-3	PW03M	FLAT WASHER 6MM
240	P0664240	COOLING PUMP ASSEMBLY
241	PLW03M	LOCK WASHER 6MM
242	PSB28M	CAP SCREW M6-1 X 15
245-1	P0664245-1	MACHINE FLUID HOSE
245-2	P0664245-2	HOSE CLAMP
245-3	P0664245-3	SPRAYER FLUID HOSE
245-4	P0664245-4	SPRAYER
245-5	P0664245-5	ELBOW
245-6	P0664245-6	MANIFOLD
245-7	P0664245-7	CONNECTOR
245-8	P0664245-8	HOSE CLAMP
246	P0664246	GREASE FITTING
350	P0664350	HYDRAULIC UNIT
350-1	P0664350-1	HYDRAULIC VALVE SET
350-2	P0664350-2	MOTOR 1/2 HP 220V 3-PH
350-3	P0664350-3	PUMP MOTOR FAN
350-4	P0664350-4	PUMP MOTOR FAN COVER
350-5	P0664350-5	PUMP MOTOR JUNCTION BOX
351	P0664351	HOSE W/TUBE FITTING
352	P0664352	HOSE W/TUBE FITTING
353	P0664353	HEX BOLT M6-1 X 20



Labels Breakdown and List



REF	PART #	DESCRIPTION
401	P0664401	MACHINE ID LABEL
402	P0664402	WEAR SAFETY GLASSES LABEL
403	P0664403	MODEL NUMBER LABEL
404	P0664404	DISCONNECT LABEL
405	PLABEL-12A	READ MANUAL LABEL

REF	PART #	DESCRIPTION
406	PLABEL-14	ELECTRICITY LABEL
407	PPAINT-11	GRIZZLY PUTTY TOUCH UP PAINT
408	PPAINT-1	GRIZZLY GREEN TOUCH UP PAINT
409	G8589	GRIZZLY NAMEPLATE-LARGE
410	P0664410	BLADE DANGER LABEL

WARNING

Safety labels warn about machine hazards and ways to prevent injury. The owner of this machine **MUST** maintain the original location and readability of the labels on the machine. If any label is removed or becomes unreadable, **REPLACE** that label before using the machine again. Contact Grizzly at (800) 523-4777 or www.grizzly.com to order new labels.

