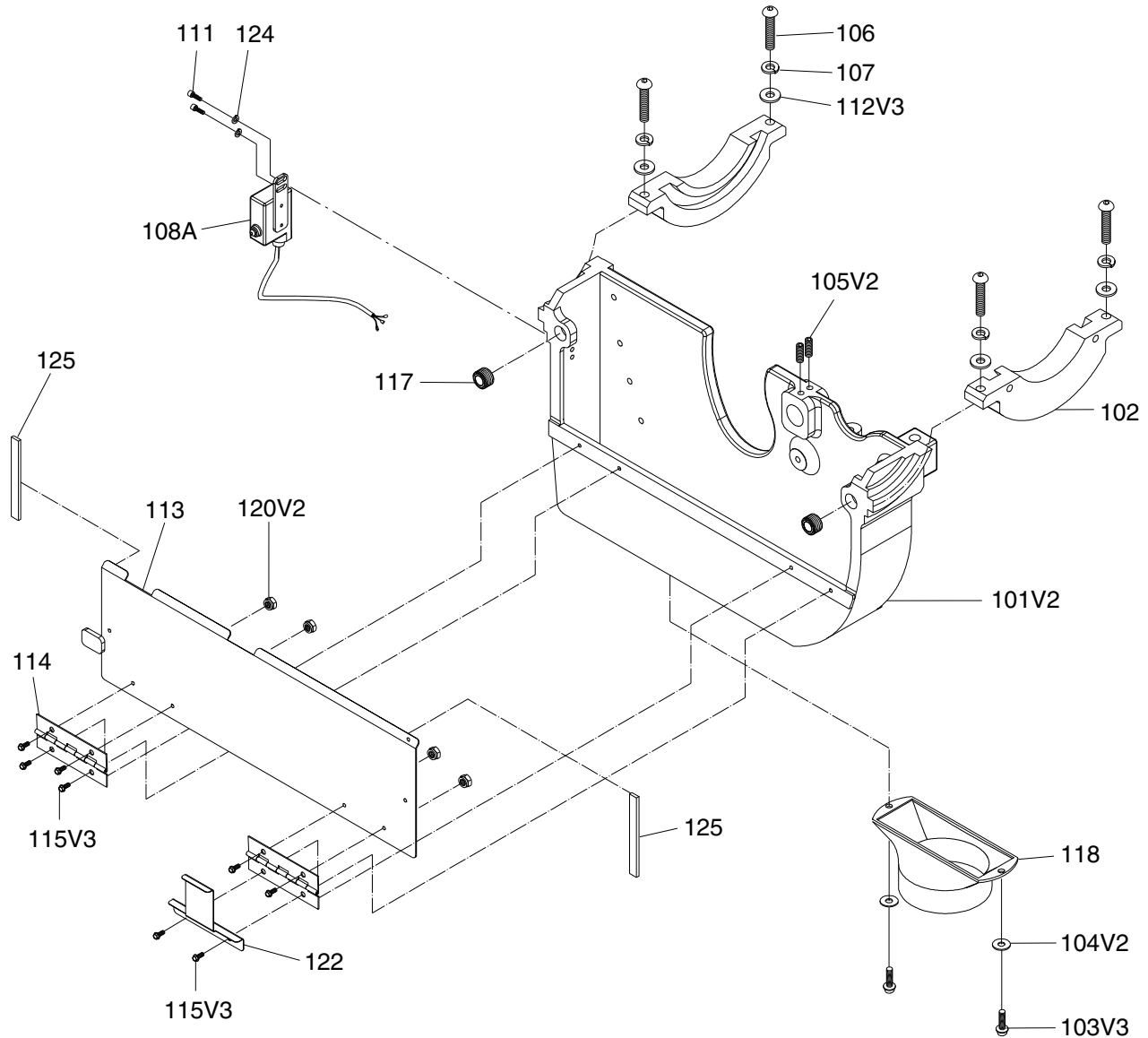


Main Trunnion



REF	PART #	DESCRIPTION
101V2	P0623X0101V2	CHANNEL BASE BLADE SHROUD V2.12.12
102	P0623X0102	TRUNNION BRACKET
103V3	P0623X0103V3	FLANGE BOLT M5-.8 X 8
104V2	P0623X0104V2	FLAT WASHER 6MM
105V2	P0623X0105V2	SET SCREW M8-1.25 X 12
106	P0623X0106	BUTTON HD CAP SCR M8-1.25 X 35
107	P0623X0107	LOCK WASHER 8MM
108A	P0623X0108A	LIMIT SWITCH ASSEMBLY
111	P0623X0111	CAP SCREW M5-.8 X 10
112V3	P0623X0112V3	FLAT WASHER 8MM

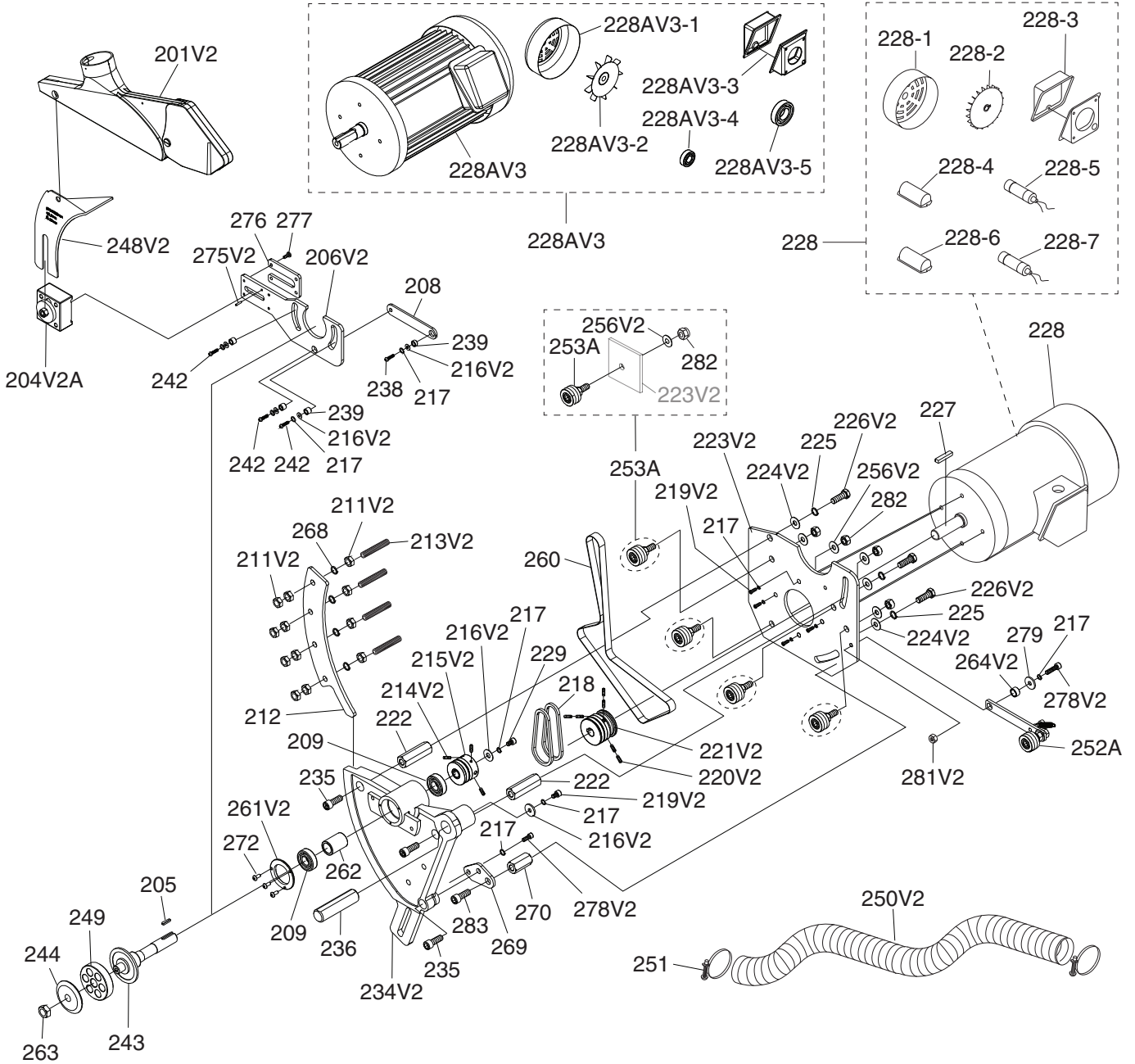
REF	PART #	DESCRIPTION
113	P0623X0113	BLADE GUARD PLATE
114	P0623X0114	HINGE
115V3	P0623X0115V3	FLANGE BOLT M5-.8 X 8
117	P0623X0117	MAGNET ASSEMBLY
118	P0623X0118	BLADE SHROUD DUST PORT
120V2	P0623X0120V2	FLANGE NUT M5-.8
122	P0623X0122	KEEPER PLATE
124	P0623X0124	LOCK WASHER 5MM
125	P0623X0125	PAD



Main Motor

G0623X3 7.5-HP 220V/440V MOTOR

G0623X 5-HP 230V MOTOR



Main Motor Parts List

REF	PART #	DESCRIPTION
201V2	P0623X0201V2	BLADE GUARD V2.02.12
204V2A	P0623X0204V2A	MOUNTING BLOCK ASSY V2.04.12
205	P0623X0205	KEY 5 X 5 X 20
206V2	P0623X0206V2	LOCATING BLOCK V2.08.10
208	P0623X0208	LINK PLATE
209	P0623X0209	BALL BEARING 6004LLB
211V2	P0623X0211V2	HEX NUT M10-1.5
212	P0623X0212	GIB PLATE
213V2	P0623X0213V2	SET SCREW M10-1.5 X 45
214V2	P0623X0214V2	SET SCREW M5-.8 X 10
215V2	P0623X0215V2	ARBOR PULLEY (FLAT) V2.01.08
216V2	P0623X0216V2	DOCK WASHER 8 X 30 X 3MM
217	P0623X0217	LOCK WASHER 8MM
218	P0623X0218	V-BELT M20 3L200
219V2	P0623X0219V2	CAP SCREW M8-1.25 X 20
220V2	P0623X0220V2	SET SCREW M8-1.25 X 8
221V2	P0623X0221V2	MOTOR PULLEY (TYPE-M20) V2.01.08
222	P0623X0222	HEX SHAFT M12-1.75 LONG
223V2	P0623X0223V2	MOTOR MOUNT PLATE V2.06.12
224V2	P0623X0224V2	DOCK WASHER 12 X 24 X 3MM
225	P0623X0225	LOCK WASHER 12MM
226V2	P0623X0226V2	HEX BOLT M12-1.75 X 30
227	P0623X0227	KEY 7 X 7 X 30
229	P0623X0229	CAP SCREW M8-1.25 X 20
234V2	P0623X0234V2	ROTATE PLATE V2.12.12
235	P0623X0235	CAP SCREW M12-1.75 X 45
236	P0623X0236	SHAFT
238	P0623X0238	BUTTON HD CAP SCR M8-1.25 X 20
239	P0623X0239	BUSHING 5MM
242	P0623X0242	BUTTON HD CAP SCR M8-1.25 X 16
243	P0623X0243	MAIN ARBOR CSA
244	P0623X0244	ARBOR FLANGE CSA
248V2	P0623X0248V2	RIVING KNIFE V2.05.12
249	P0623X0249	ARBOR WASHER CSA
250V2	P0623X0250V2	HOSE 3" X 37" V2.10.16
251	P0623X0251	HOSE CLAMP 3-1/4"
252A	P0623X0252A	ROTATING ARM IDLER ASSY

REF	PART #	DESCRIPTION
253A	P0623X0253A	IDLER PULLEY ASSY
256V2	P0623X0256V2	FLAT WASHER 12MM
260	P0623X0260	BELT 15 X 1140MM
261V2	P0623X0261V2	PLATE V2.08.14
262	P0623X0262	BUSHING
263	P0623X0263	ARBOR HEX NUT 5/8-12 LH
264V2	P0623X0264V2	BUSHING 6.1MM V2.10.16
268	P0623X0268	LOCK WASHER 10MM
269	P0623X0269	MOUNTING PLATE
270	P0623X0270	HEX SHAFT M12-1.75 SHORT
272	P0623X0272	BUTTON HD CAP SCR M5-.8 X 12
275V2	P0623X0275V2	ROLL PIN 4 X 10
276	P0623X0276	SECONDARY BLOCK
277	P0623X0277	BUTTON HD CAP SCR M5-.8 X 8
278V2	P0623X0278V2	CAP SCREW M8-1.25 X 20
279	P0623X0279	FLAT WASHER 8MM
281V2	P0623X0281V2	HEX NUT M8-1.25
282	P0623X0282	LOCK NUT M12-1.75
283	P0623X0283	CAP SCREW M12-1.75 X 25

G0623X 5HP, 230V, SINGLE-PHASE MOTOR

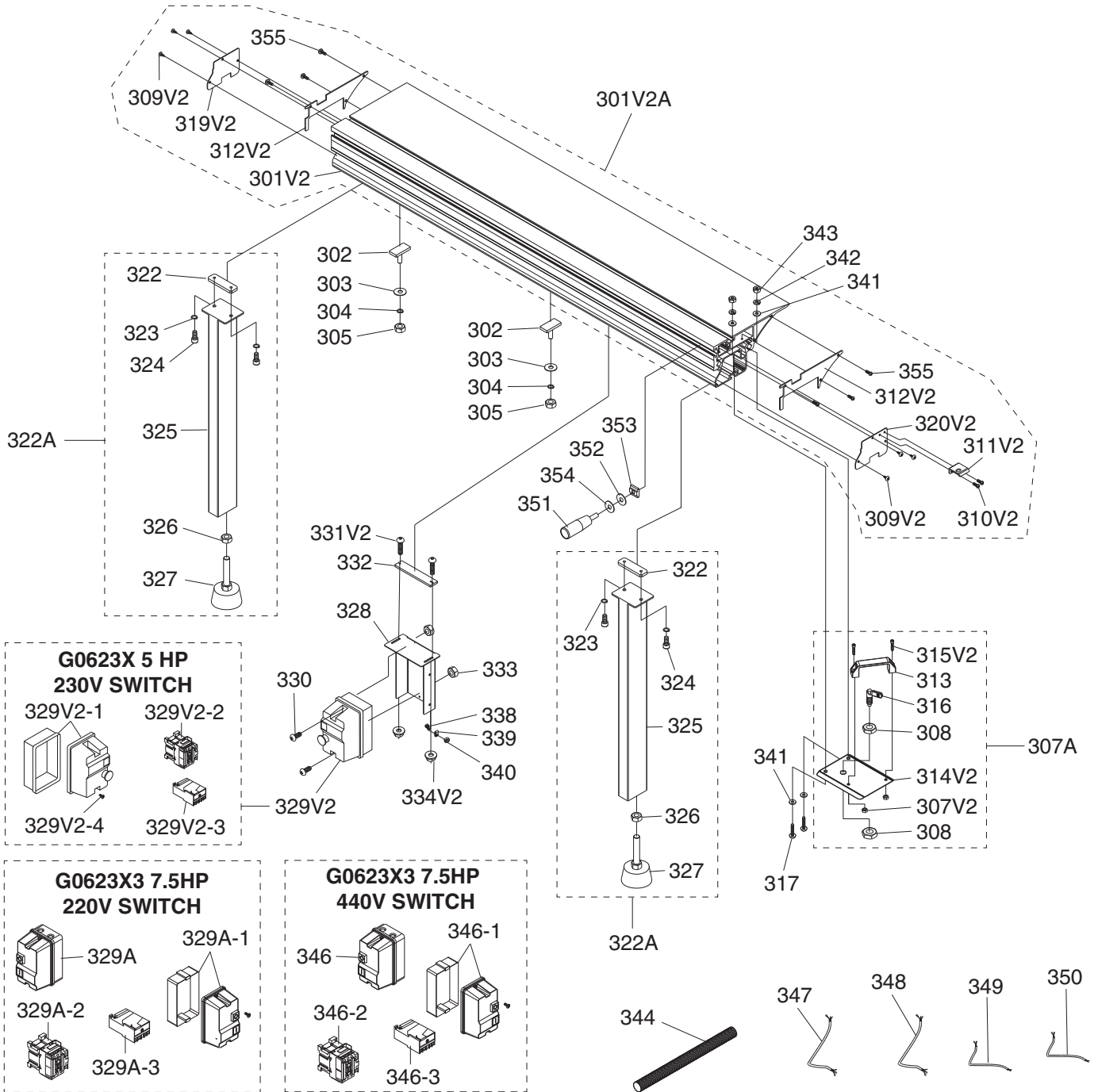
228	P0623X0228	MOTOR 5HP 230V 1-PH
228-1	P0623X0228-1	MOTOR FAN COVER
228-2	P0623X0228-2	MOTOR FAN
228-3	P0623X0228-3	JUNCTION BOX
228-4	P0623X0228-4	CAPACITOR COVER
228-5	P0623X0228-5	S CAPACITOR 400M 250V 1-3/4 X 3-1/2
228-6	P0623X0228-6	CAPACITOR COVER
228-7	P0623X0228-7	R CAPACITOR 30M 500V 1-1/2 X 3-3/8

G0623X3 7.5HP, 220/440V 3-PHASE MOTOR

228AV3	P0623X30228AV3	MOTOR 7.5 HP 220V 3-PH V3.10.16
228AV3-1	P0623X30228AV3-1	MOTOR FAN COVER
228AV3-2	P0623X30228AV3-2	MOTOR FAN
228AV3-3	P0623X30228AV3-3	JUNCTION BOX
228AV3-4	P0623X30228AV3-4	BALL BEARING 6203ZZ
228AV3-5	P0623X30228AV3-5	BALL BEARING 6206ZZ



Sliding Table



Sliding Table Parts List

REF	PART #	DESCRIPTION
301V2	P0623X0301V2	SLIDING TABLE W/BASE 688 X 316 V2.03.14
301V2A	P0623X0301V2A	SLIDING TABLE ASSEMBLY V2.03.14
302	P0623X0302	T-SCREW M12-1.75 X 35
303	P0623X0303	FLAT WASHER 12MM
304	P0623X0304	LOCK WASHER 12MM
305	P0623X0305	HEX NUT M12-1.75
307V2	P0623X0307V2	HEX NUT M8-1.25 THIN
307A	P0623X0307A	S. TABLE HANDLE PLATE ASSY
308	P0623X0308	HEX NUT M16-1.5 THIN
309V2	P0623X0309V2	TAP SCREW M4 X 8
310V2	P0623X0310V2	BUTTON HD CAP SCR M6-1 X 12
311V2	P0623X0311V2	LOCK RECEIVER PLATE V2.03.14
312V2	P0623X0312V2	S. TABLE END PLATE (UPPER) V2.03.14
313	P0623X0313	HANDLE
314V2	P0623X0314V2	S. TABLE HANDLE PLATE V2.03.14
315V2	P0623X0315V2	CAP SCREW M8-1.25 X 16
316	P0623X0316	PIN LOCK
317	P0623X0317	BUTTON HD CAP SCR M6-1 X 16
319V2	P0623X0319V2	SLIDING TABLE END PLATE (FR) V2.03.14
320V2	P0623X0320V2	SLIDING TABLE END PLATE (RR) V2.03.14
322	P0623X0322	SUPPORT LEG T-SLOT PLATE
322A	P0623X0322A	SUPPORT LEG ASSEMBLY
323	P0623X0323	LOCK WASHER 8MM
324	P0623X0324	CAP SCREW M8-1.25 X 20
325	P0623X0325	SUPPORT LEG
326	P0623X0326	HEX NUT M12-1.75
327	P0623X0327	ADJUST FOOT
328	P0623X0328	SWITCH MOUNTING BRACKET
330	P0623X0330	PHLP HD SCR M4-.7 X 16
331V2	P0623X0331V2	BUTTON HD CAP SCR M5-.8 X 25
332	P0623X0332	SWITCH T-SLOT PLATE
333	P0623X0333	HEX NUT M5-.8
334V2	P0623X0334V2	FLANGE NUT M5-.8
338	P0623X0338	CAP SCREW M5-.8 X 12
339	P0623X0339	FLAT WASHER 5MM

REF	PART #	DESCRIPTION
340	P0623X0340	HEX NUT M5-.8
341	P0623X0341	FLAT WASHER 6MM
342	P0623X0342	LOCK WASHER 6MM
343	P0623X0343	HEX NUT M6-1
344	P0623X0344	FLEXIBLE CONDUIT
347	P0623X0347	MOTOR CORD 12G 4W
348	P0623X0348	POWER BOX CORD 12G 3W (G0623X)
348	P0623X030348	POWER BOX CORD 12G 4W (G0623X3)
349	P0623X0349	LIMIT SWITCH CORD 18G 2W
350	P0623X0350	E-STOP CORD 18G 2W
351	P0623X0351	FIXED HANDLE 30 X 132, M12-1.75 X 14
352	P0623X0352	PLASTIC WASHER 12MM
353	P0623X0353	T-NUT M12-1.75
354	P0623X0354	FENDER WASHER 12MM
355	P0623X0355	BUTTON HD CAP SCR M5-.8 X 10

G0623X 5HP, 230V, 1-PH SWITCH

329V2	P0623X0329V2	MAG SWITCH NHD MS 1-18D V2.09.10
329V2-1	P0623X0329V2-1	SWITCH BOX NHD
329V2-2	P0623X0329V2-2	CONTACTOR NHD C-18D 230V
329V2-3	P0623X0329V2-3	OL RELAY NHD NTH-21 17-21A
329V2-4	P0623X0329V2-4	WHITE SWITCH COVER SCREW

G0623X3 7.5HP, 220V, 3-PH SWITCH

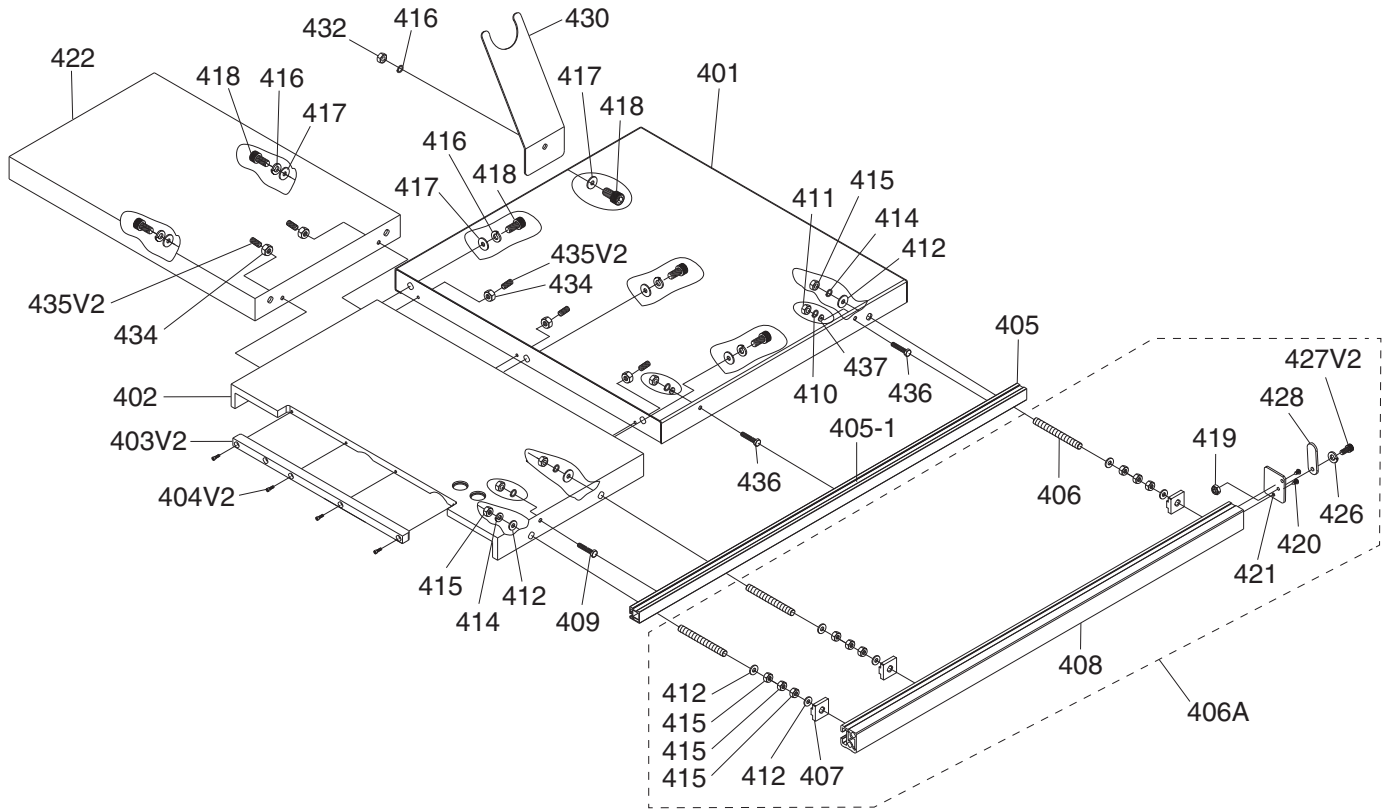
329A	P0623X30329A	SWITCH MP-18 7.5HP 220V 3PH
329A-1	P0623X30329A-1	SWITCH BOX
329A-2	P0623X30329A-2	CONTACTOR SDE MA-18 220V
329A-3	P0623X30329A-3	RELAY SDE RA-30 18-26A

G0623X3 7.5HP, 440V, 3-PH SWITCH

346	P0623X30346	MAG SWITCH MP-18 7.5HP 440V 3PH
346-1	P0623X30346-1	SWITCH BOX
346-2	P0623X30346-2	CONTACTOR SDE MA-18 440V
346-3	P0623X30346-3	RELAY SDE RA-20 8-12A



Tables

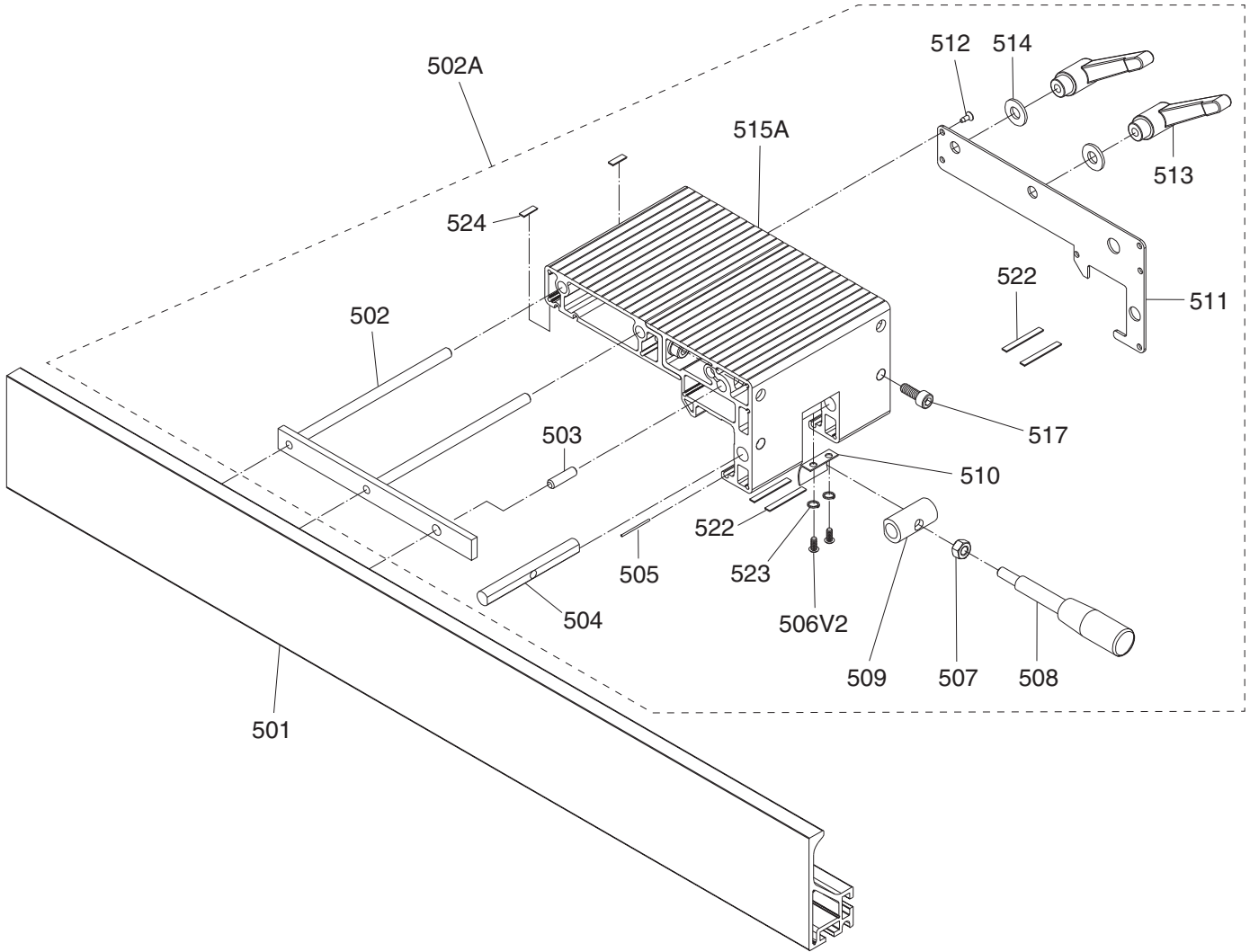


REF	PART #	DESCRIPTION
401	P0623X0401	LARGE EXTENSION TABLE
402	P0623X0402	CAST IRON TABLE
403V2	P0623X0403V2	TABLE INSERT (ALUM.) V2.11.16
404V2	P0623X0404V2	BUTTON HD CAP SCR M5-.8 X 12
405	P0623X0405	RAIL SCALE
405-1	P0623X0405-1	SCALE 0-39.25"
406	P0623X0406	STUD-FT M12-1.75 X 90
406A	P0623X0406A	RIP FENCE RAIL ASSEMBLY
407	P0623X0407	T-NUT M12-1.75
408	P0623X0408	RIP FENCE RAIL
409	P0623X0409	HEX BOLT M6-1 X 25
410	P0623X0410	LOCK WASHER 6MM
411	P0623X0411	HEX NUT M6-1
412	P0623X0412	FLAT WASHER 12MM
414	P0623X0414	LOCK WASHER 12MM
415	P0623X0415	HEX NUT M12-1.75

REF	PART #	DESCRIPTION
416	P0623X0416	LOCK WASHER 10MM
417	P0623X0417	FLAT WASHER 10MM
418	P0623X0418	CAP SCREW M10-1.5 X 25
419	P0623X0419	LOCK NUT M5-.8
420	P0623X0420	TAP SCREW M4 X 10
421	P0623X0421	RAIL END PLATE
422	P0623X0422	SMALL EXTENSION TABLE
426	P0623X0426	LOCK WASHER 5MM
427V2	P0623X0427V2	CAP SCREW M5-.8 X 12
428	P0623X0428	STOP TAB
430	P0623X0430	DUST HOSE SUPPORT
432	P0623X0432	LOCK NUT M10-1.5
434	P0623X0434	HEX NUT M8-1.25
435V2	P0623X0435V2	SET SCREW M8-1.25 X 25
436	P0623X0436	HEX BOLT M6-1 X 16
437	P0623X0437	FLAT WASHER 6MM



Rip Fence

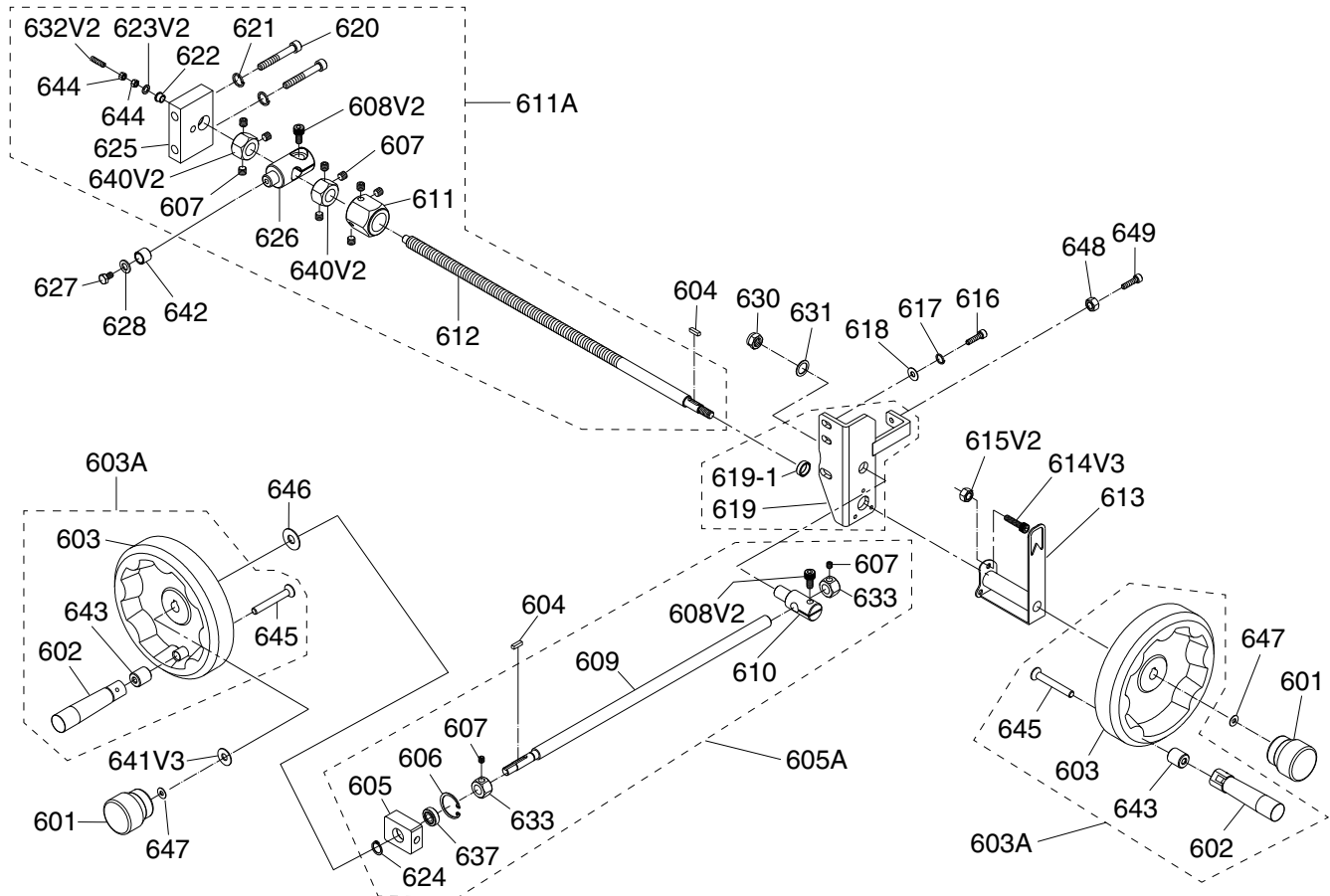


REF	PART #	DESCRIPTION
501	P0623X0501	RIP FENCE
502	P0623X0502	CLAMP PLATE
502A	P0623X0502A	REAR FENCE ASSEMBLY
503	P0623X0503	ROLL PIN 8 X 30
504	P0623X0504	ROD
505	P0623X0505	HDPE STRIP
506V2	P0623X0506V2	PHLP HD SCR M5-.8 X 10
507	P0623X0507	HEX NUT M8-1.25
508	P0623X0508	FIXED HANDLE 23 X 138, M8-1.25 X 22
509	P0623X0509	SLEEVE

REF	PART #	DESCRIPTION
510	P0623X0510	SPRING PRESSURE PLATE
511	P0623X0511	COVER PLATE
512	P0623X0512	TAP SCREW M4 X 8
513	P0623X0513	ADJ. HANDLE 67L, M8-1.25
514	P0623X0514	FLAT WASHER 8MM
515A	P0623X0515A	RIP FENCE HOUSING ASSY
517	P0623X0517	PLASTIC SCREW
522	P0623X0522	HDPE STRIP 50 X 5MM
523	P0623X0523	EXT TOOTH WASHER 5MM
524	P0623X0524	HDPE STRIP



Handwheels

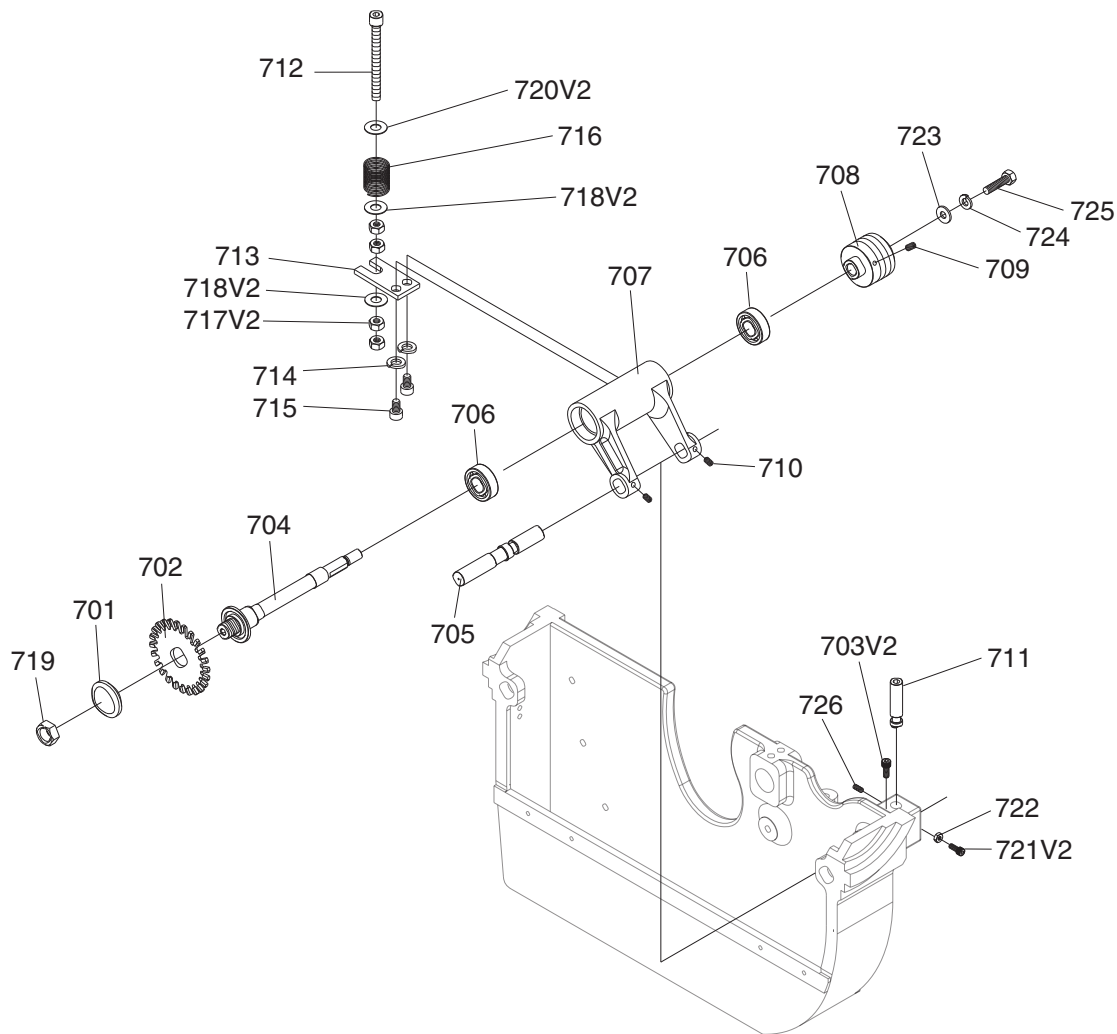


REF	PART #	DESCRIPTION
601	P0623X0601	LOCK KNOB M10-1.5, D50
602	P0623X0602	FOLDING HANDLE M6-1, 28 X 110
603	P0623X0603	HANDWHEEL TYPE-12 160D X 12B-K X M6-1
603A	P0623X0603A	HANDWHEEL ASSEMBLY
604	P0623X0604	MACHINE KEY 5 X 5 X 20
605	P0623X0605	ANGLE SEAT
605A	P0623X0605A	TILT MECHANISM ASSEMBLY
606	P0623X0606	INT RETAINING RING 28MM
607	P0623X0607	SET SCREW M6-1 X 6
608V2	P0623X0608V2	CAP SCREW M10-1.5 X 25
609	P0623X0609	LEADSCREW M16 X 2P X 2T
610	P0623X0610	LEADSCREW CAM
611	P0623X0611	LOCATE RING
611A	P0623X0611A	HEIGHT MECHANISM ASSY
612	P0623X0612	JACK SCREW M16 X 2P X 2T
613	P0623X0613	FINGER GUIDE
614V3	P0623X0614V3	CAP SCREW M6-1 X 16
615V2	P0623X0615V2	HEX NUT M6-1
616	P0623X0616	CAP SCREW M8-1.25 X 20
617	P0623X0617	LOCK WASHER 8MM
618	P0623X0618	FLAT WASHER 8MM
619	P0623X0619	STRUT BOARD
619-1	P0623X0619-1	SLEEVE
620	P0623X0620	CAP SCREW M8-1.25 X 50

REF	PART #	DESCRIPTION
621	P0623X0621	LOCK WASHER 8MM
622	P0623X0622	BEARING SELF-LUBRICATING
623V2	P0623X0623V2	FENDER WASHER 6MM
624	P0623X0624	EXT RETAINING RING 12MM
625	P0623X0625	LOCATE BLOCK
626	P0623X0626	JACK SCREW CAM
627	P0623X0627	CAP SCREW M6-1 X 10
628	P0623X0628	FLAT WASHER 6MM
630	P0623X0630	LOCK NUT M16-2
631	P0623X0631	FLAT WASHER 17 X 24MM, COPPER
632V2	P0623X0632V2	SET SCREW M6-1 X 30
633	P0623X0633	STOP NUT M16-2 (1 SET SCREW)
637	P0623X0637	BALL BEARING 6001ZZ
640V2	P0623X0640V2	STOP NUT M16-2 (3 SET SCREWS)
641V3	P0623X0641V3	DOCK WASHER 10 X 40 X 3 V3.09.17
642	P0623X0642	BUSHING
643	P0623X0643	HANDLE EXTENSION 7 X 20 X 22MM
644	P0623X0644	HEX NUT M6-1
645	P0623X0645	FLAT HD SCR M6-1 X 35
646	P0623X0646	DOCK WASHER 13 X 30 X 2.5MM
647	P0623X0647	FLAT WASHER 10MM
648	P0623X0648	HEX NUT M8-1.25
649	P0623X0649	CAP SCREW M8-1.25 X 25



Scoring Trunnion

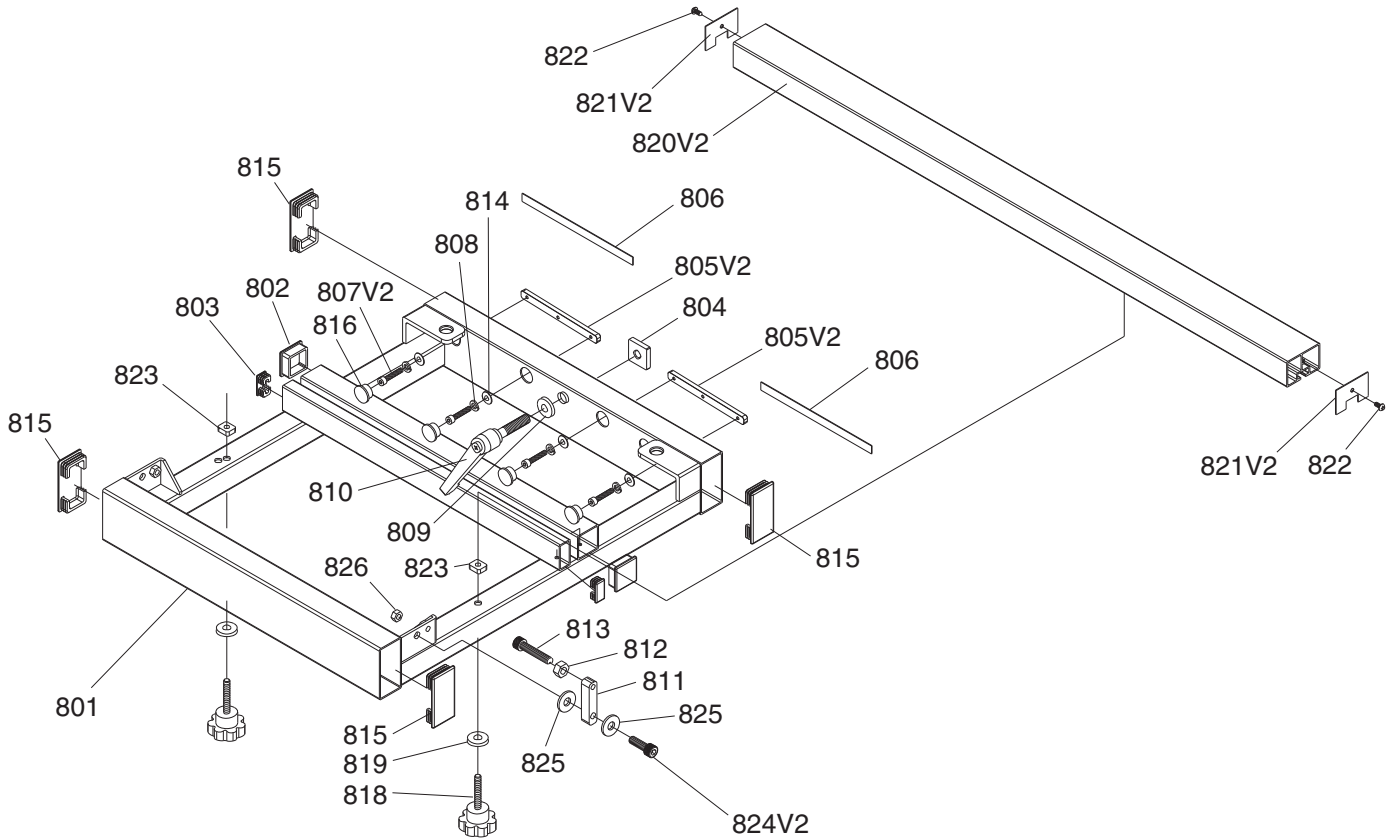


REF	PART #	DESCRIPTION
701	P0623X0701	ARBOR FLANGE
702	P0623X0702	SCORING SAW BLADE CSA 22MM
703V2	P0623X0703V2	CAP SCREW M8-1.25 X 25
704	P0623X0704	SHAFT CSA 22MM
705	P0623X0705	SHAFT
706	P0623X0706	BALL BEARING 6202LLB
707	P0623X0707	REGULATOR
708	P0623X0708	SCORING PULLEY 60HZ
709	P0623X0709	SET SCREW M6-1 X 6
710	P0623X0710	SET SCREW M6-1 X 6
711	P0623X0711	ADJUST SHAFT
712	P0623X0712	CAP SCREW M8-1.25 X 100
713	P0623X0713	PLATE

REF	PART #	DESCRIPTION
714	P0623X0714	LOCK WASHER 8MM
715	P0623X0715	CAP SCREW M8-1.25 X 25
716	P0623X0716	LOCK COMPRESSION SPRING
717V2	P0623X0717V2	HEX NUT M8-1.25
718V2	P0623X0718V2	DOCK WASHER 8 X 23 X 2MM
719	P0623X0719	HEX NUT M12-1.75 LH
720V2	P0623X0720V2	DOCK WASHER 8 X 18 X 2MM
721V2	P0623X0721V2	CAP SCREW M6-1 X 25
722	P0623X0722	HEX NUT M6-1
723	P0623X0723	DOCK WASHER 6 X 30 X 3MM
724	P0623X0724	LOCK WASHER 6MM
725	P0623X0725	HEX BOLT M6-1 X 16 LH
726	P0623X0726	SET SCREW M6-1 X 8



Crosscut Table

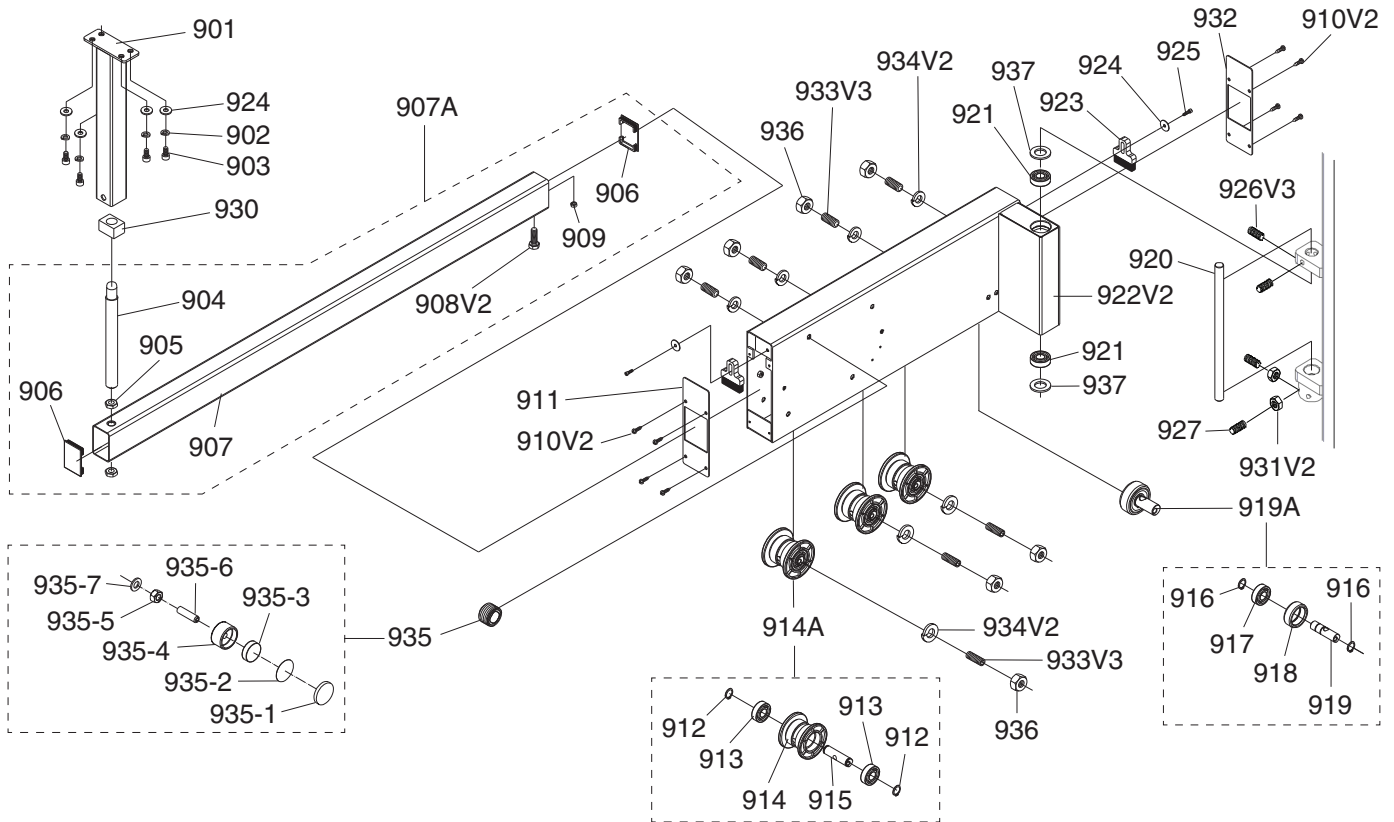


REF	PART #	DESCRIPTION
801	P0623X0801	SUPPORT FRAME
802	P0623X0802	PLUG 38 X 38MM
803	P0623X0803	PLUG 40 X 20MM
804	P0623X0804	T-NUT M12-1.75
805V2	P0623X0805V2	T-SLOT BAR V2.12.12
806	P0623X0806	PAD
807V2	P0623X0807V2	CAP SCREW M6-1 X 16
808	P0623X0808	LOCK WASHER 6MM
809	P0623X0809	FENDER WASHER 12MM
810	P0623X0810	ADJ. HANDLE 95L, M12-1.75 X 55
811	P0623X0811	FENCE ADJUSTMENT CAM
812	P0623X0812	HEX NUT M8-1.25
813	P0623X0813	HEX BOLT M8-1.25 X 40

REF	PART #	DESCRIPTION
814	P0623X0814	FLAT WASHER 6MM
815	P0623X0815	PLUG 80 X 40MM
816	P0623X0816	PLASTIC PLUG
818	P0623X0818	KNOB BOLT M8-1.25 X 50, 12-LOBE D50
819	P0623X0819	DOCK WASHER 8 X 30 X 3MM
820V2	P0623X0820V2	SQUARE BRACE 70MM WIDE V2.11.13
821V2	P0623X0821V2	COVER 70MM WIDE V2.11.13
822	P0623X0822	TAP SCREW #8 X 3/8
823	P0623X0823	T-NUT M8-1.25
824V2	P0623X0824V2	CAP SCREW M8-1.25 X 35
825	P0623X0825	FENDER WASHER 8MM
826	P0623X0826	LOCK NUT M8-1.25



Swing Arm

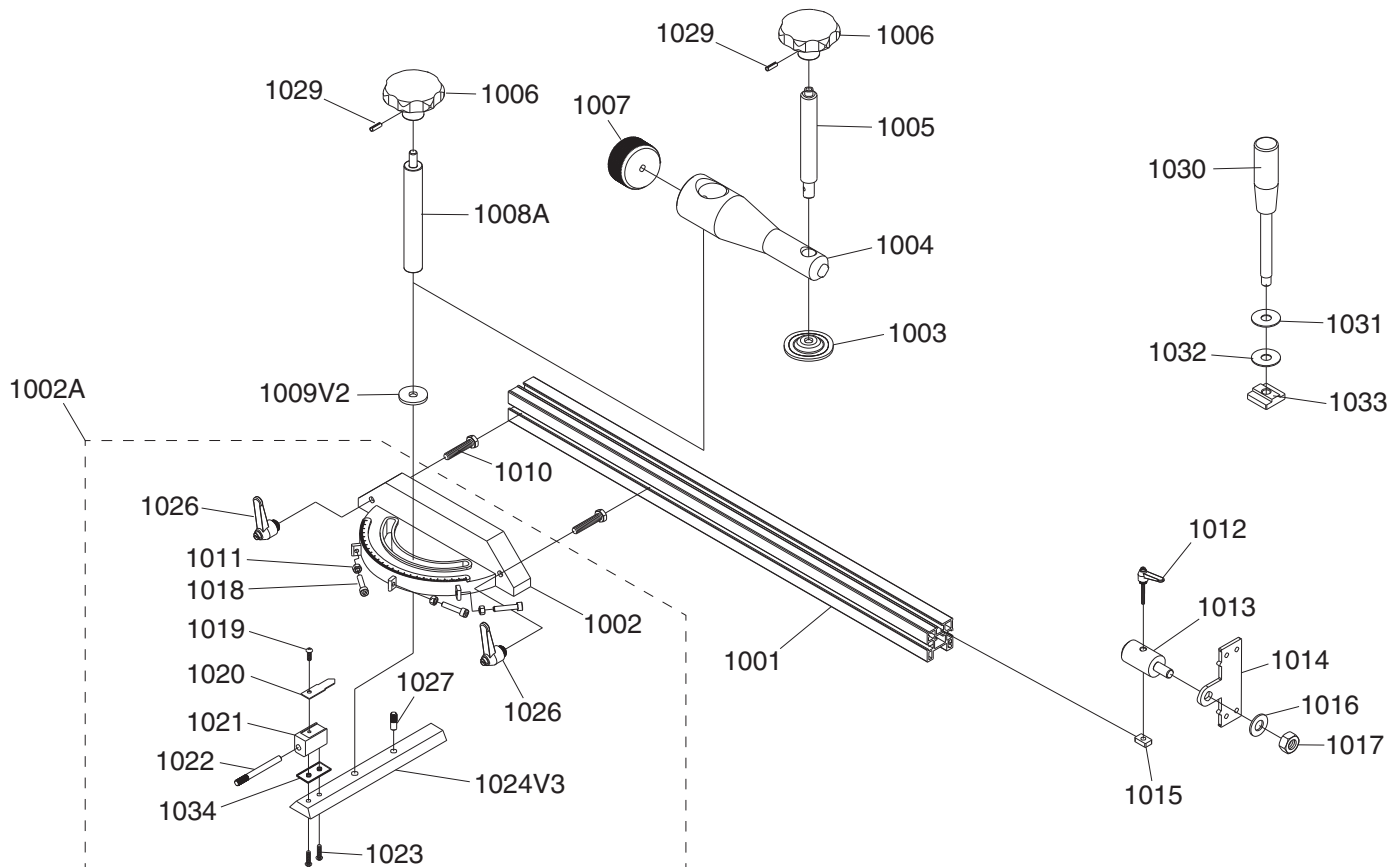


REF	PART #	DESCRIPTION
901	P0623X0901	CROSSCUT TABLE SUPPORT LEG
902	P0623X0902	LOCK WASHER 6MM
903	P0623X0903	CAP SCREW M6-1 X 16
904	P0623X0904	ROTARY SHAFT
905	P0623X0905	HEX NUT M20-2.5
906	P0623X0906	PLUG 40 X 80MM
907	P0623X0907	SLIDING TUBE
907A	P0623X0907A	SLIDING TUBE ASSEMBLY
908V2	P0623X0908V2	CAP SCREW M8-1.25 X 12
909	P0623X0909	HEX NUT M8-1.25
910V2	P0623X0910V2	BUTTON HD CAP SCR M4-.7 X 6
911	P0623X0911	COVER
912	P0623X0912	EXT RETAINING RING 15MM
913	P0623X0913	BALL BEARING 6202ZZ
914	P0623X0914	ROLLER
914A	P0623X0914A	ROLLER ASSEMBLY
915	P0623X0915	ADJUST SHAFT
916	P0623X0916	EXT RETAINING RING 15MM
917	P0623X0917	BALL BEARING 6202ZZ
918	P0623X0918	RING
919	P0623X0919	ADJUST SHAFT
919A	P0623X0919A	ADJUST SHAFT ASSEMBLY
920	P0623X0920	SWING ARM SHAFT

REF	PART #	DESCRIPTION
921	P0623X0921	BALL BEARING 6202ZZ
922V2	P0623X0922V2	SWING ARM V2.10.16
923	P0623X0923	BRUSH
924	P0623X0924	FLAT WASHER 6MM
925	P0623X0925	CAP SCREW M6-1 X 20
926V3	P0623X0926V3	SET SCREW M10-1.5 X 16
927	P0623X0927	SET SCREW M10-1.5 X 25
930	P0623X0930	ROTARY SHAFT COLLAR
931V2	P0623X0931V2	HEX NUT M10-1.5 THIN
932	P0623X0932	COVER
933V3	P0623X0933V3	SET SCREW M8-1.25 X 30
934V2	P0623X0934V2	LOCK WASHER 8MM
935	P0623X0935	MAGNET BASE ASSEMBLY
935-1	P0623X0935-1	FOAM GASKET 28MM
935-2	P0623X0935-2	RETAINING RING 28MM
935-3	P0623X0935-3	MAGNET
935-4	P0623X0935-4	MAGNET BASE
935-5	P0623X0935-5	HEX NUT M8-1.25
935-6	P0623X0935-6	SET SCREW M8-1.25 X 35
935-7	P0623X0935-7	FENDER WASHER 8MM
936	P0623X0936	HEX NUT M8-1.25
937	P0623X0937	DOCK WASHER 17 X 30 X 3MM



Miter Gauge

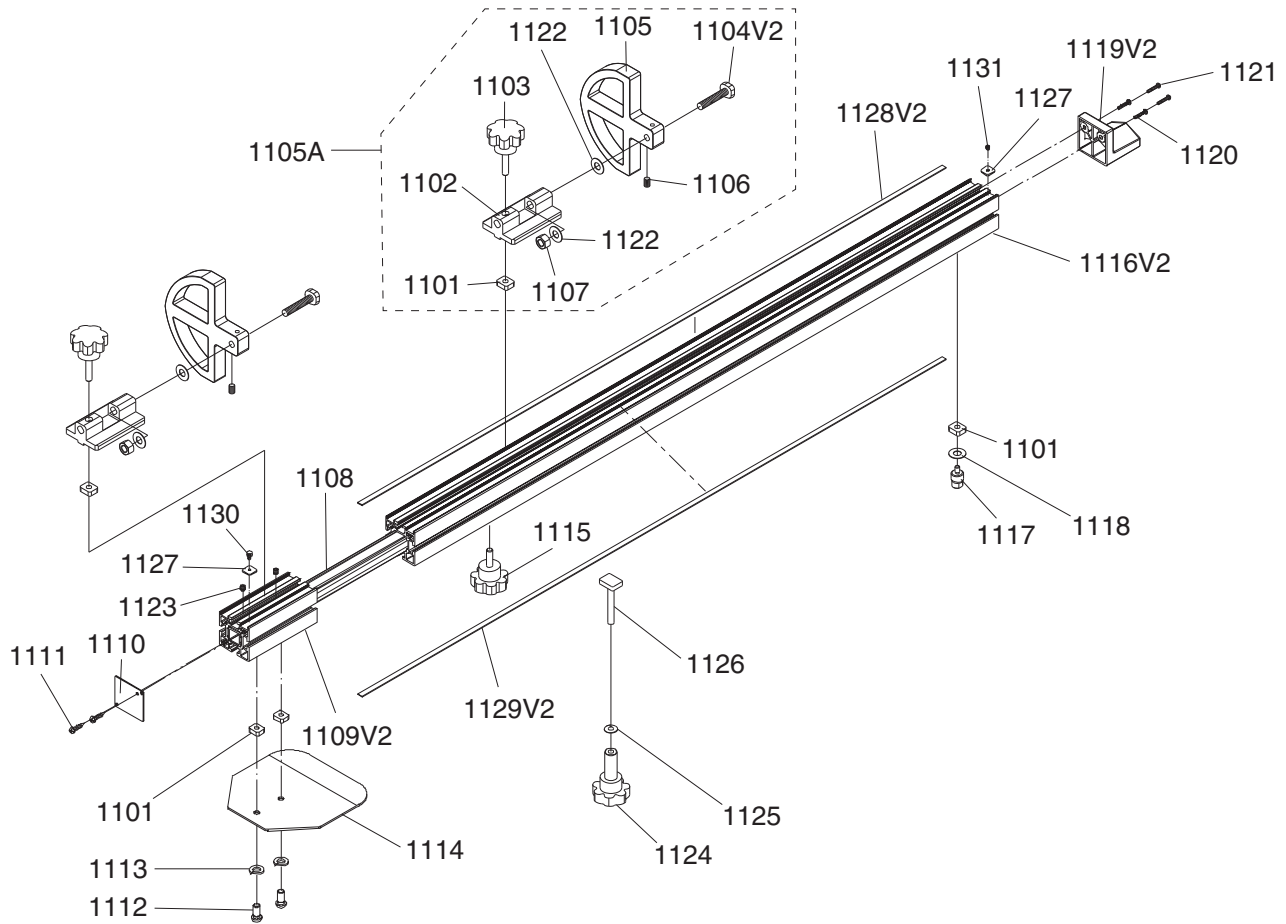


REF	PART #	DESCRIPTION
1001	P0623X1001	MITER GAUGE FENCE
1002	P0623X1002	MITER GAUGE BODY
1002A	P0623X1002A	MITER GAUGE BODY ASSEMBLY
1003	P0623X1003	LARGE WASHER
1004	P0623X1004	SLIDING MITER CLAMP SHAFT
1005	P0623X1005	CLAMP SHAFT
1006	P0623X1006	KNOB (PINNED) 7-LOBE D60
1007	P0623X1007	KNOB (KNURLED) 36D X 20L
1008A	P0623X1008A	MITER HANDLE SHAFT ASSY
1009V2	P0623X1009V2	DOCK WASHER 10 X 27 X 3MM
1010	P0623X1010	HEX BOLT M6-1 X 30
1011	P0623X1011	HEX NUT M5-.8
1012	P0623X1012	ADJ. HANDLE 65L, M6-1 X 30
1013	P0623X1013	LOCK SHAFT
1014	P0623X1014	MITER FLIP STOP
1015	P0623X1015	SQUARE NUT M6-1
1016	P0623X1016	FLAT WASHER 10MM

REF	PART #	DESCRIPTION
1017	P0623X1017	LOCK NUT M10-1.5
1018	P0623X1018	CAP SCREW M5-.8 X 25
1019	P0623X1019	PHLP HD SCR M4-.7 X 12
1020	P0623X1020	POINTER
1021	P0623X1021	FIXED BLOCK
1022	P0623X1022	STOP BAR
1023	P0623X1023	PHLP HD SCR M4-.7 X 16
1024V3	P0623X1024V3	MITER GAUGE BAR V3.10.16
1026	P0623X1026	ADJUSTABLE HANDLE 42L, M6-1
1027	P0623X1027	SHAFT
1029	P0623X1029	ROLL PIN 3 X 20
1030	P0623X1030	FIXED HANDLE 30 X 132, M12-1.75 X 14
1031	P0623X1031	FLAT WASHER 12MM
1032	P0623X1032	FLAT WASHER 12MM PLASTIC
1033	P0623X1033	T-NUT M12-1.75
1034	P0623X1034	SPACING PLATE



Crosscut Fence



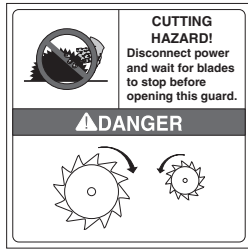
REF	PART #	DESCRIPTION
1101	P0623X1101	T-NUT M8-1.25
1102	P0623X1102	STOP BRACKET
1103	P0623X1103	KNOB BOLT M8-1.25 X 40, 12-LOBE D50
1104V2	P0623X1104V2	T-BOLT M10-1.5 X 70 V2.09.17
1105	P0623X1105	FLIP STOP
1105A	P0623X1105A	FLIP STOP ASSEMBLY
1106	P0623X1106	SET SCREW M6-1 X 10
1107	P0623X1107	LOCK NUT M10-1.5
1108	P0623X1108	SQUARE TUBE
1109V2	P0623X1109V2	EXT FENCE V2.06.13
1110	P0623X1110	COVER
1111	P0623X1111	TAP SCREW M4 X 10
1112	P0623X1112	BUTTON HD CAP SCR M8-1.25 X 16
1113	P0623X1113	LOCK WASHER 8MM
1114	P0623X1114	LOCATE PLATE
1115	P0623X1115	KNOB BOLT M8-1.25 X 27 PLASTIC TIP

REF	PART #	DESCRIPTION
1116V2	P0623X1116V2	SQUARE FENCE V2.06.13
1117	P0623X1117	ROTATE SHAFT
1118	P0623X1118	FLAT WASHER 8MM
1119V2	P0623X1119V2	END PIECE ABS V2.06.13
1120	P0623X1120	PHLP HD SCR M4-.7 X 10
1121	P0623X1121	PHLP HD SCR M4-.7 X 35
1122	P0623X1122	FLAT WASHER 10MM BRASS
1123	P0623X1123	SET SCREW M6-1 X 6
1124	P0623X1124	KNOB M8-1.25, 12-LOBE, 60D X 75L
1125	P0623X1125	FENDER WASHER 8MM
1126	P0623X1126	T-BOLT M8-1.25 X 60
1127	P0623X1127	T-NUT M5-.8
1128V2	P0623X1128V2	SCALE 2000-0MM (78.75-0") ST V2.06.13
1129V2	P0623X1129V2	SCALE 0-2000MM (0-78.75") ST V2.06.13
1130	P0623X1130	CAP SCREW M5-.8 X 6
1131	P0623X1131	SET SCREW M5-.8 X 5

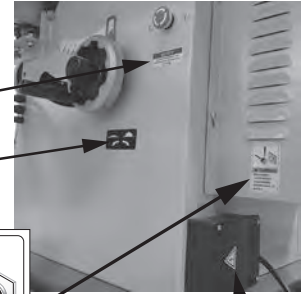
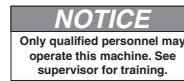


Labels & Cosmetics

1205



1206

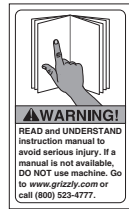


1214

1204



1201



1208



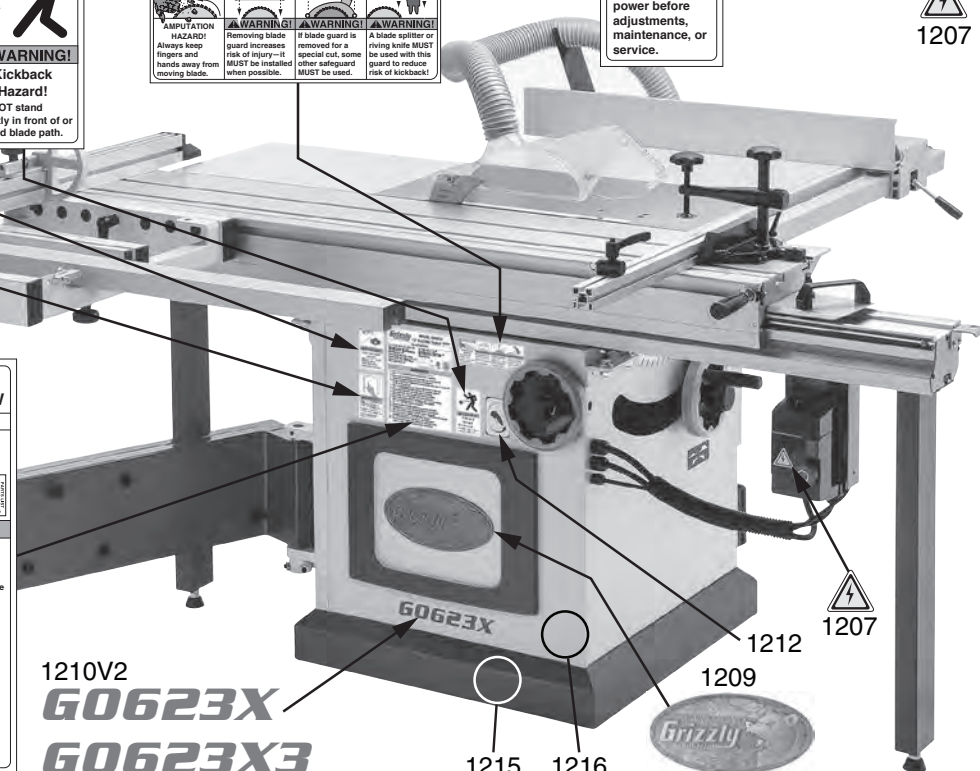
1203



1218



1211V3 1211V2



REF	PART #	DESCRIPTION
1201	P0623X1201	READ MANUAL LABEL
1203	P0623X1203	KICKBACK HAZARD LABEL
1204	P0623X1204	DISCONNECT POWER LABEL
1205	P0623X1205	BLADE GUARD DANGER LABEL
1206	P0623X1206	QUALIFIED PERSONNEL LABEL
1207	P0623X1207	ELECTRICITY LABEL
1208	P0623X1208	GLASSES/RESPIRATOR LABEL
1209	P0623X1209	GRIZZLY NAMEPLATE-SMALL
1210V2	P0623X1210V2	MODEL NO. LABEL V2.12.16 (G0623X)

REF	PART #	DESCRIPTION
1210V2	P0623X31210V2	MODEL NO. LABEL V2.12.16 (G0623X3)
1211V3	P0623X1211V3	MACHINE ID CSA V3.12.13 (G0623X)
1211V2	P0623X31211V2	MACHINE ID V2.12.13 (G0623X3)
1212	P0623X1212	BLADE TILT LABEL
1214	P0623X1214	BLADE ELEVATION LABEL
1215	P0623X1215	TOUCH-UP PAINT, GRIZZLY GREEN
1216	P0623X1216	TOUCH-UP PAINT, GRIZZLY PUTTY
1218	P0623X1218	BLADE WARNING LABEL

WARNING

Safety labels warn about machine hazards and ways to prevent injury. The owner of this machine MUST maintain the original location and readability of the labels on the machine. If any label is removed or becomes unreadable, REPLACE that label before using the machine again. Contact Grizzly at (800) 523-4777 or www.grizzly.com to order new labels.

