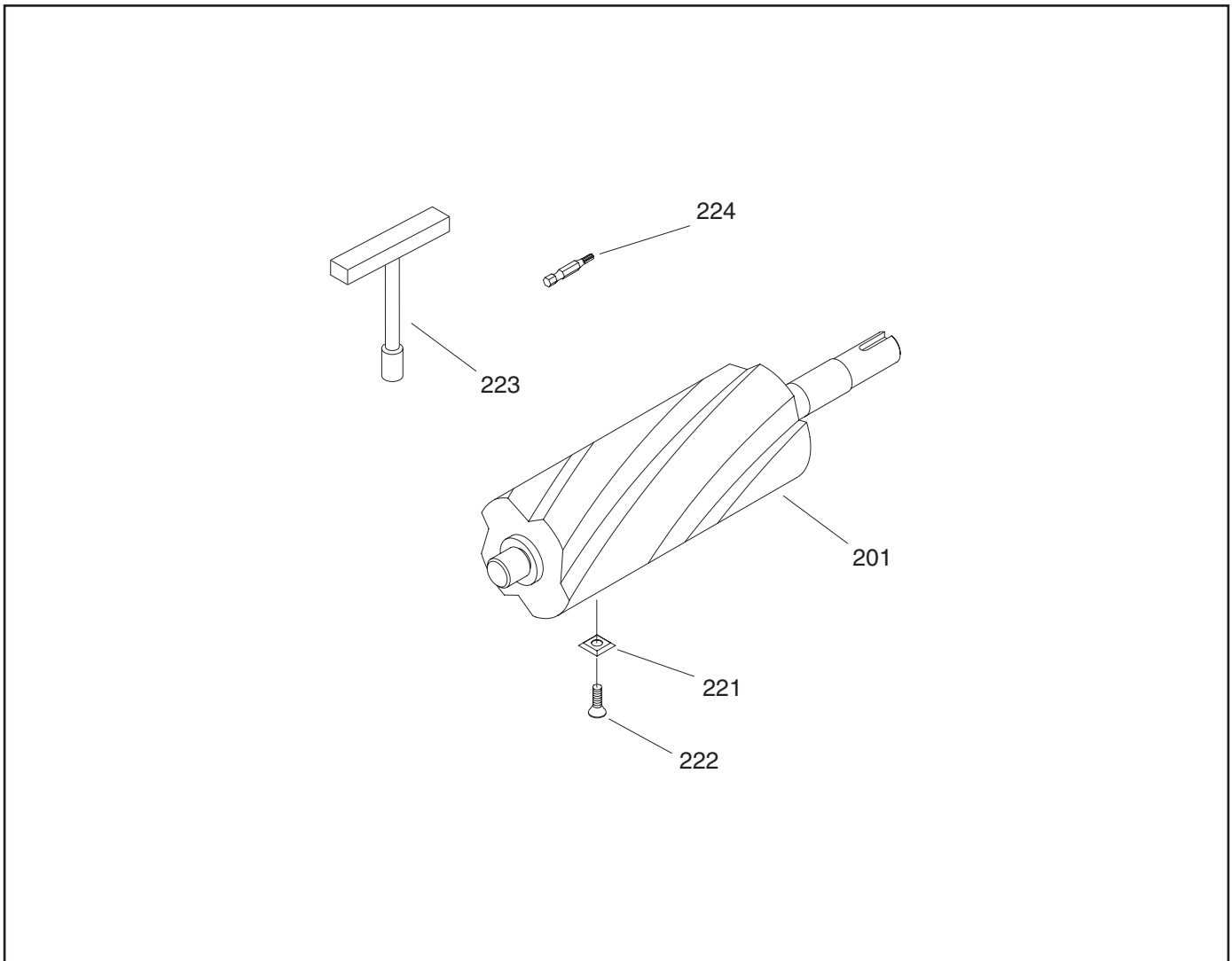


G0543 Replacement Parts



REF	PART #	DESCRIPTION
201	P0543201	SPIRAL CUTTERHEAD
221	P0543221	INDEXABLE CARBIDE INSERT
222	PFH35M	FLAT HD TORX T-20 M6-1 X 15
223	P0543223	TORX T-HANDLE DRIVER 6MM
224	P9740Z1722	TORX BIT T-20

NOTICE

All parts for the Model G0543, except those shown above, are the same as the Model G0500. Therefore, please use the included Model G0500 Manual when ordering new parts for your machine, unless those parts are shown above.

COPYRIGHT © OCTOBER, 2003 BY GRIZZLY INDUSTRIAL, INC.
WARNING: NO PORTION OF THIS MANUAL MAY BE REPRODUCED IN ANY SHAPE OR FORM WITHOUT THE WRITTEN APPROVAL OF GRIZZLY INDUSTRIAL, INC.
 PRINTED IN TAIWAN

ONLINE MANUAL DISCLAIMER

THE INFORMATION IN THIS MANUAL REPRESENTS THE CONFIGURATION OF THE MACHINE AS IT IS CURRENTLY BEING SHIPPED. THE MACHINE CONFIGURATION CAN CHANGE AS PRODUCT IMPROVEMENTS ARE INCORPORATED. IF YOU OWN AN EARLIER VERSION OF THE MACHINE, THIS MANUAL MAY NOT EXACTLY DEPICT YOUR MACHINE. CONTACT CUSTOMER SERVICE IF YOU HAVE ANY QUESTIONS ABOUT DIFFERENCES. PREVIOUS VERSIONS ARE NOT AVAILABLE ONLINE.