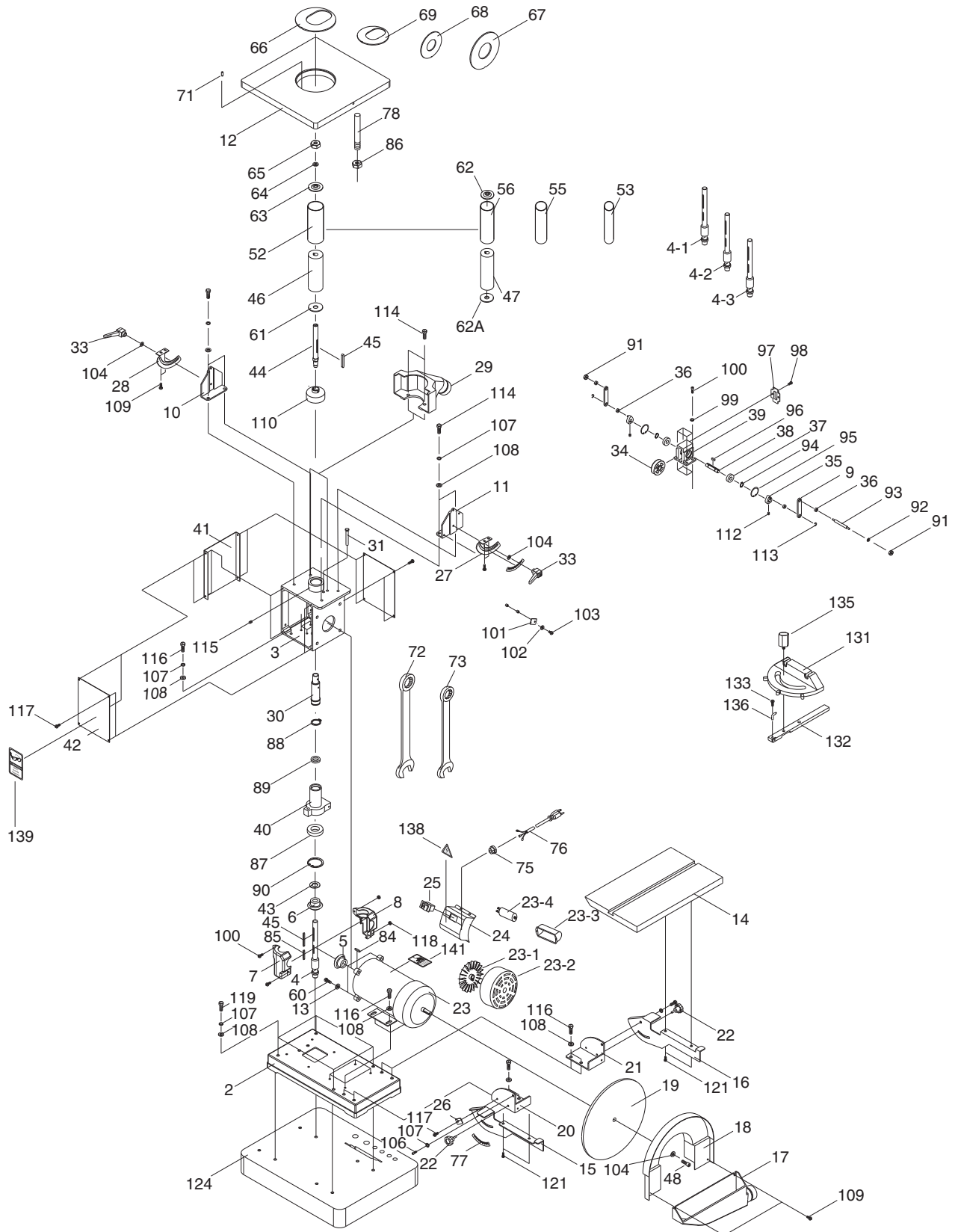


# Frame Breakdown



# Frame Parts List

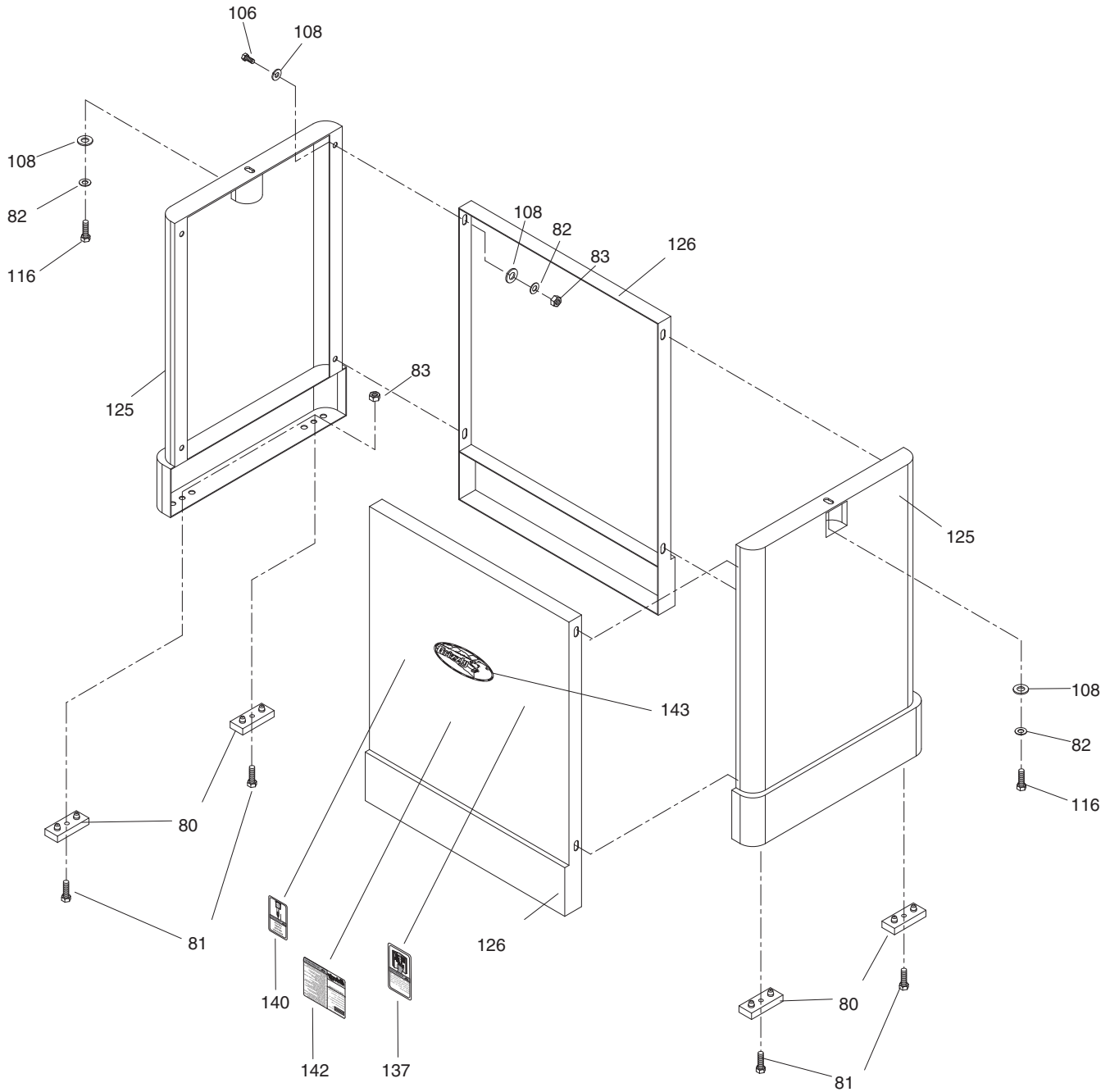
REF	PART #	DESCRIPTION
2	P0529002	BASE UPPER
3	P0529003	FRAME
4	P0529004	SPINDLE 2"
4-1	P0529004-1	SPINDLE 1-1/2"
4-2	P0529004-2	SPINDLE 5/8"
4-3	P0529004-3	SPINDLE 1/4"
5	P0529005	HELICAL BEVEL GEAR
6	P0529006	PU HELICAL BEVEL GEAR
7	P0529007	RIGHT OIL BOX
8	P0529008	LEFT OIL BOX
9	P0529009	CONNECTION ROD
10	P0529010	RIGHT BRACKET
11	P0529011	LEFT BRACKET
12	P0529012	WORKING TABLE
13	PW02	FLAT WASHER 3/8
14	P0529014	WORKING TABLE
15	P0529015	FRONT GRADUATED SCALE
16	P0529016	REAR GRADUATED SCALE
17	P0529017	DUST HOOD
18	P0529018	DISC GUARD
19	P0529019	DISC
20	P0529020	FRONT BRACKET
21	P0529021	REAR BRACKET
22	P0529022	HAND KNOB
23	P0529023	MOTOR 1 HP
23-1	P0529023-1	MOTOR FAN
23-2	P0529023-2	FAN COVER
23-3	P0529023-3	CAPACITOR COVER
23-4	P0529023-4	CAPACITOR
24	P0529024	SWITCH BOX
25	PSW06	PADDLE SWITCH WITH KEY
26	P0529026	INDICATOR
27	P0529027	RIGHT GRADUATED SCALE
28	P0529028	LEFT GRADUATED SCALE
29	P0529029	DUST HOOD
30	P0529030	SPINDLE
31	P0529031	GUIDE ROD
33	P0529033	HANDLE
34	P0529034	WORM GEAR
35	P0529035	CAM
36	P0529036	COPPER SLEEVE
37	P6001	BALL BEARING 6001ZZ
38	P0529038	WORM GEAR SHAFT
39	P0529039	WORM GEAR HOUSING
40	P0529040	CONNECTION PIECE
41	P0529041	SIDE COVER
42	P0529042	FRONT AND REAR COVER
43	P0529043	SPACER
44	P0529044	ARBOR 5/8
45	PK36M	KEY 5 X 5 X 50

REF	PART #	DESCRIPTION
46	P0529046	RUBBER PAD 2
47	P0529047	RUBBER PAD 1- 1/2
48	PSB05	CAP SCREW 1/4-20 X 3/4
52	P0529052	SANDING SLEEVE 2
53	P0529053	SANDING SLEEVE 1/4
55	P0529055	SANDING SLEEVE 5/8
56	P0529056	SANDING SLEEVE 1-1/2
60	PB32M	HEX BOLT M10-1.5 X 25
61	P0529061	LOWER FLANGE 2"
62	P0529062	UPPER FLANGE 1-1/2"
62A	P0529062A	LOWER FLANGE 1-1/2"
63	P0529063	UPPER FLANGE 2"
64	PW07	FLAT WASHER 5/16
65	PN35	HEX NUT 5/16-18 (LH)
66	P0529066	ELLIPTICAL TABLE INSERT 2"
67	P0529067	ROUND TABLE INSERT 2"
68	P0529068	ROUND TABLE INSERT 3/4"
69	P0529069	ELLIPTICAL TABLE INSERT 3/4"
71	PRP61M	ROLL PIN 3 X 12
72	PWR1417	WRENCH 14 X 17
73	PWR1214	COMBO WRENCH 12/14MM
75	P0529075	STRAIN RELIEF BUSHING
76	PWRCRD110L	POWER CORD
77	P0529077	GRADUATED SCALE
78	P0529078	POSITIONING ROD
84	PK20M	KEY 5 X 5 X 15
85	PK42M	KEY 6 X 6 X 30
86	PN08	HEX NUT 3/8-16
87	P6006	BALL BEARING 6006ZZ
88	PR19M	EXT RETAINING RING 28MM
89	P6804	BALL BEARING 6804ZZ
90	PR55M	INT RETAINING RING 60MM
91	PLN02M	LOCK NUT M5-.8
92	PW02M	WASHER 5MM
93	P0529093	CONNECTION SHAFT
94	PR03M	EXT RETAINING RING 12MM
95	PR20M	INT RETAINING RING 28MM
96	PK47M	KEY 4 X 4 X 15
97	P0529097	REAR OIL COVER
98	PS18	PHLP HD SCR 10-24 X 1/4
99	PLW03M	LOCK WASHER 6MM
100	PSB28M	CAP SCREW M6-1 X 15
101	P0529101	POINTER
102	PLW01M	LOCK WASHER 5MM
103	PS22M	PHLP HD SCR M5-.8 X 25
104	PW06	FLAT WASHER 1/4
106	PSB07	CAP SCREW 5/16-18 X 3/4
107	PLW01	LOCK WASHER 5/16
108	PW07	FLAT WASHER 5/16
109	PSB33M	CAP SCREW M5-.8 X 12

REF	PART #	DESCRIPTION
110	P0529110	COVER
112	PSS08M	SET SCREW M4-.7 X 5
113	PEC02M	E-CLIP 4MM
114	PB07M	HEX BOLT M8-1.25 X 25
115	PSS02M	SETSCREW M6-1 X 5
116	PB03	HEX BOLT 5/16-18 X 1
117	PS06	PHLP HD SCR 10-24 X 3/8
118	PN01M	HEX NUT M6-1
119	PB04	HEX BOLT 5/16-18 X 3
121	PB19	HEX BOLT 1/4-20 X 1/2

REF	PART #	DESCRIPTION
124	P0529124	STAND TOP
131	P0529131	MITER GAUGE BODY
132	P0529132	MITER GAUGE BAR
133	PS06	PHLP HD SCR 10-24 X 3/8
135	P0529135	MITER GAUGE KNOB
136	P0529136	POINTER
138	PLABEL-14	WARNING LABEL-ELECTRICITY
139	PLABEL-11	WARNING LABEL-GLASSES
141	PLABEL-26	WARNING LABEL-DISCONNECT

# Cabinet Breakdown



REF	PART #	DESCRIPTION
80	P0529080	PAD
81	PFH14	FLAT HD SCR 5/16-18 X 3/4
82	PLW01	LOCK WASHER 5/16
83	PN02	HEX NUT 5/16-18
106	PSB07	CAP SCREW 5/16-18 X 3/4
108	PW07	FLAT WASHER 5/16
116	PB03	HEX BOLT 5/16-18 X 1

REF	PART #	DESCRIPTION
125	P0529125	RIGHT OR LEFT PANEL
126	P0529126	FRONT OR REAR PANEL
137	PLABEL-12	WARNING LABEL-READ MANUAL
140	PLABEL-32	WARNING LABEL-DUST MASK
142	P0529142	WARNING LABEL-ID LABEL
143	G8588	GRIZZLY LOGO