

READ THIS FIRST



For questions or help with this product contact Tech Support at (570) 546-9663 or techsupport@grizzly.com

Model G0462

*****IMPORTANT UPDATE*****

For Machines Mfd. Since 06/05

The following changes were recently made since the owner's manual was printed:

- Tool rest assembly and faceplate have changed.
- **Assembly** and **Adjusting Tool Rest** sections have been updated.

Aside from this information, all other content in the owner's manual applies and **MUST** be read and understood for your own safety. **IMPORTANT: Keep this update with the owner's manual for future reference.**

For questions or help, contact our Tech Support at (570) 546-9663 or techsupport@grizzly.com.

New Tool Rest



Old Tool Rest



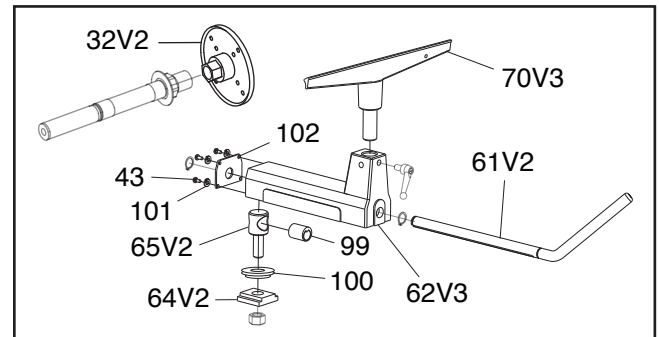
Revised Specifications

Swing Over Tool Rest Base12 in.
 Max. Dist. Tool Rest to Spindle Center..12-1/2 in.
 Tool Rest Base Height..... 2-1/8 in.

Revised Needed for Setup

Description	Qty
• Open-End Wrench 1"	1

Revised Parts

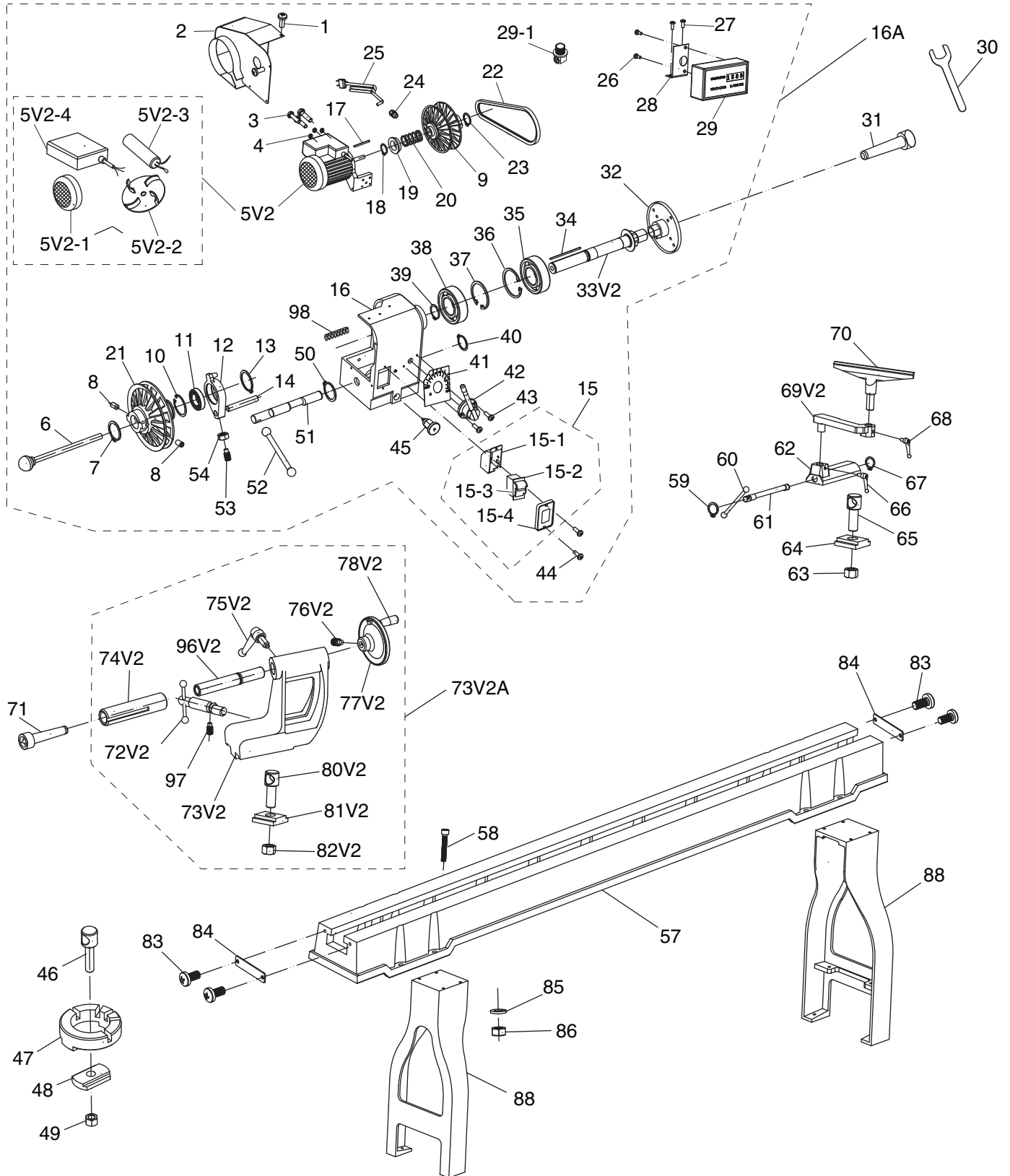


REF	PART #	DESCRIPTION
32V2	P0462032V2	FACEPLATE 6" (STEEL) V2
43	P0462043	PHLP HD SCR M5-.8 X 12
61V2	P0462061V2	TOOL REST ECCENTRIC SHAFT V2
62V3	P0462062V3	TOOL REST BODY V3
64V2	P0462064V2	TOOL REST CLAMP PLATE V2
65V2	P0462065V2	TOOL REST PIVOT BOLT V2
70V3	P0462070V3	TOOL REST V3
99	P0462099	ECCENTRIC BUSHING
100	P0462100	SLIDE BUSHING
101	P0462101	LOCK WASHER 5MM
102	P0462102	TOOL REST BASE PLATE

COPYRIGHT © DECEMBER, 2023 BY GRIZZLY INDUSTRIAL, INC.
WARNING: NO PORTION OF THIS MANUAL MAY BE REPRODUCED IN ANY SHAPE OR FORM WITHOUT THE WRITTEN APPROVAL OF GRIZZLY INDUSTRIAL, INC.
 #CS22991 PRINTED IN CHINA

SECTION 9: PARTS

Main



Parts List

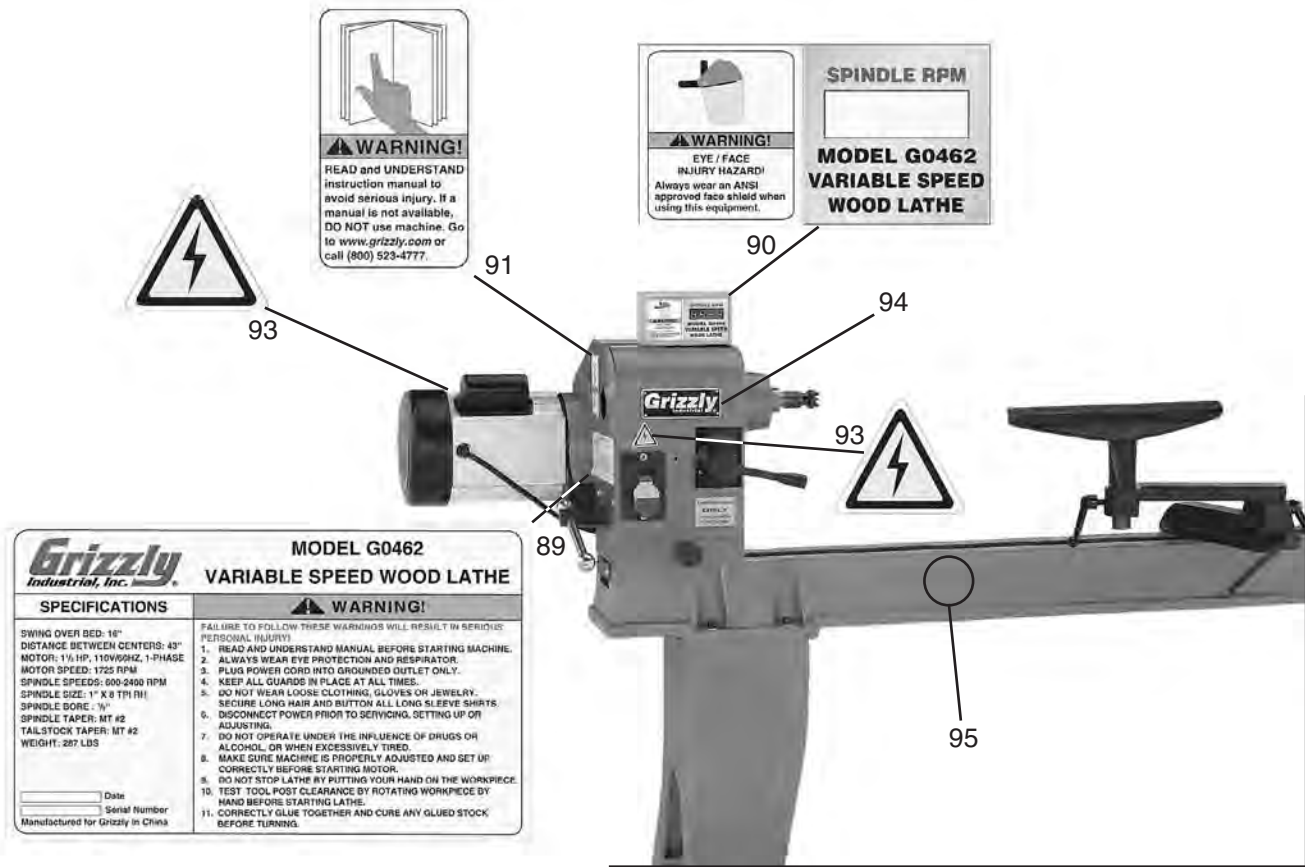
REF	PART #	DESCRIPTION
1	P0462001	PHLP HD SCR M5-.8 X 8
2	P0462002	MOTOR COVER
3	P0462003	HEX BOLT M8-1.25 X 30
4	P0462004	LOCK WASHER 8MM
5V2	P0462005V2	MOTOR 2HP 110V 1-PH V2.01.09
5V2-1	P0462005V2-1	FAN COVER 156 X 68MM V2.01.09
5V2-2	P0462005V2-2	FAN 150 X 30MM V2.01.09
5V2-3	P0462005V2-3	R CAPACITOR 100M 250V 2 X 3-3/4 V2.01.09
5V2-4	P0462005V2-4	MOTOR JUNCTION BOX V2.01.09
6	P0462006	PUSH-OUT ROD
7	P0462007	EXT RETAINING RING 24MM
8	P0462008	HOLLOW KNURL SET SCR M6 X 10
9	P0462009	MOTOR PULLEY SET
10	P0462010	INT RETAINING RING 62MM
11	P0462011	BALL BEARING 6007 ZZ
12	P0462012	SHIFTING LEVER BRACKET
13	P0462013	EXT RETAINING RING 25MM
14	P0462014	RACK
15	P0462015	SWITCH ASSEMBLY
15-1	P0462015-1	SWITCH BOX
15-2	P0462015-2	GRIZZLY PADDLE SWITCH W/KEY
15-3	P0462015-3	PADDLE SWITCH KEY
15-4	P0462015-4	SWITCH BOX PLATE
16	P0462016	HEADSTOCK CASTING
16A	P0462016A	HEADSTOCK ASSEMBLY
17	P0462017	KEY 4 X 4 X 80
18	P0462018	EXT RETAINING RING 16MM
19	P0462019	MOTOR SHAFT SLEEVE
20	P0462020	COMPRESSION SPRING
21	P0462021	SPINDLE PULLEY SET
22	P0462022	V-BELT M24.5 3L245
23	P0462023	EXT RETAINING RING 16MM
24	P0462024	STRAIN RELIEF M20-1.5
25	P0462025	POWER CORD 16G 3W 5-15 PLUG
26	P0462026	PHLP HD SCR M6-1 X 10
27	P0462027	PHLP HD SCR M6-1 X 10
28	P0462028	DIGITAL READOUT BRACKET
29	P0462029	DIGITAL READOUT ASSEMBLY
29-1	P0462029-1	RPM SENSOR
30	P0462030	FLAT WRENCH 32MM
31	P0462031	SPUR CENTER MT#2
32	P0462032	FACEPLATE 6
33V2	P0462033V2	SPINDLE 1 X 8 V2.10.17
34	P0462034	KEY 4 X 4 X 80
35	P0462035	BALL BEARING 6205ZZ
36	P0462036	INT RETAINING RING 52MM
37	P0462037	INT RETAINING RING 52MM
38	P0462038	BALL BEARING 6205ZZ
39	P0462039	EXT RETAINING RING 25MM

REF	PART #	DESCRIPTION
40	P0462040	EXT RETAINING RING 24MM
41	P0462041	SPEED CHANGE LABEL
42	P0462042	GEAR ASSEMBLY
43	P0462043	PHLP HD SCR M5-.8 X 12
44	P0462044	PHLP HD SCR M4-.7 X 12
45	P0462045	HEAD PIVOT LOCKING PIN
46	P0462046	HEADSTOCK PIVOT BOLT
47	P0462047	HEAD PIVOT BASE
48	P0462048	BED CLAMP A
49	P0462049	HEX NUT M18-2.5
50	P0462050	EXT RETAINING RING 24MM
51	P0462051	HEADSTOCK ECCENTRIC SHAFT
52	P0462052	HEAD LOCK LEVER
53	P0462053	SET SCREW M8-1.25 X 25
54	P0462054	HEX NUT M8-1.25
57	P0462057	BED
58	P0462058	CAP SCREW M8-1.25 X 40
59	P0462059	EXT RETAINING RING 19MM
60	P0462060	BALL LEVER
61	P0462061	TOOL REST ECCENTRIC SHAFT
62	P0462062	TOOL REST BODY
63	P0462063	HEX NUT M18-2.5
64	P0462064	TOOL REST CLAMP PLATE
65	P0462065	TOOL REST PIVOT BOLT
66	P0462066	HANDLE ASSY M10-1.5 X 15
67	P0462067	EXT RETAINING RING 19MM
68	P0462068	HANDLE ASSY M10-1.5 X 15
69V2	P0462069V2	TOOL REST PIVOT ARM (1") V2.10.17
70	P0462070	TOOL REST 12-1/8L X 6-1/2H
71	P0462071	TAILSTOCK LIVE CENTER MT#2
72V2	P0462072V2	TAILSTOCK LOCK LEVER V2.11.09
73V2	P0462073V2	TAILSTOCK CASTING V2.11.09
73V2A	P0462073V2A	TAILSTOCK ASSEMBLY V2.04.10
74V2	P0462074V2	TAILSTOCK QUILL V2.04.10
75V2	P0462075V2	QUILL LOCK HANDLE ASSY V2.04.10
76V2	P0462076V2	HANDWHEEL SET SCREW V2.04.10
77V2	P0462077V2	TLSTCK HNDWHL PLASTIC V2.04.10
78V2	P0462078V2	HANDWHEEL HANDLE V2.04.10
80V2	P0462080V2	TAILSTOCK PIVOT BOLT V2.04.10
81V2	P0462081V2	TAILSTOCK CLAMP PLATE V2.04.10
82V2	P0462082V2	HEX NUT M18-2.5
83	P0462083	PHLP HD SCR M5-.8 X 12
84	P0462084	BED END PLATE
85	P0462085	LOCK WASHER 8MM
86	P0462086	HEX NUT M8-1.25
88	P0462088	STAND LEG LEFT/RIGHT
96V2	P0462096V2	TAILSTOCK LEADSCREW V2.11.09
97	P0462097	SET SCREW M6-1 X 12
98	P0462098	SPRING

Please Note: We do our best to stock replacement parts whenever possible, but we cannot guarantee that all parts shown here are available for purchase. Call (800) 523-4777 or visit our online parts store at www.grizzly.com to check for availability.



Machine Labels



REF	PART #	DESCRIPTION
89	P0462089	MACHINE ID LABEL
90	P0462090	RPM DISPLAY/FACE SHIELD LABEL
91	P0462091	READ MANUAL 2W X 3.3H V2.07.05
92	P0462092	SPEED CHANGE LABEL

REF	PART #	DESCRIPTION
93	P0462093	ELECTRICITY 1.4W X 1.2H
94	P0462094	GRIZZLY LOGO LABEL
95	P0462095	N/S GRIZZLY GREEN G1023S

WARNING

Safety labels help reduce the risk of serious injury caused by machine hazards. If any label comes off or becomes unreadable, the owner of this machine **MUST** replace it in the original location before resuming operations. For replacements, contact (800) 523-4777 or www.grizzly.com.

